

DATE: _____ PROJECT: _____ TYPE: _____

CATALOG NUMBER LOGIC:



**Designed for use with LED transformer.*

CATALOG NUMBER LOGIC

Example: UL - F - MM - LED - e71 - SP - BLW - 12 - 11

MATERIAL

(Blank) - Aluminum B - Brass S - Stainless Steel

SERIES

UL - Recessed Uplight

INSTALLATION

F - Flush

FIXTURE

MM - Mini-Micro

SOURCE

LED - with Integral Non-dimming Driver*

LED TYPE

e70 - 3W LED/2700K	e85 - 3W LED/2700K 90 CRI
e71 - 3W LED/3000K	e86 - 3W LED/3000K 90 CRI
e72 - 3W LED/4000K	e87 - 3W LED/3500K 80 CRI
e73 - 3W LED/Amber	

OPTICS

NSP - Narrow Spot (17°)	MFL - Medium Flood (28°)
SP - Spot (21°)	ASY - Asymmetrical (17x31°)

FINISH (See page 2 for full-color swatches)

Standard Finishes (BZP, BZW, BLP, BLW, WHP, WHW, SAP, VER)

Premium Finish (ABP, AMG, AQW, BCM, BGE, BPP, CAP, CMG, CRM, HUG, NBP, OCP, RMG, SDS, SMG, TXF, WCP, WIR)

Also available in RAL Finishes

Brass Finishes (MAC, POL, MIT)

Stainless Steel Finishes (MAC, POL)

LENS TYPE

12 - Soft Focus	13 - Rectilinear
-----------------	------------------

SHIELDING

11 - Honeycomb Baffle

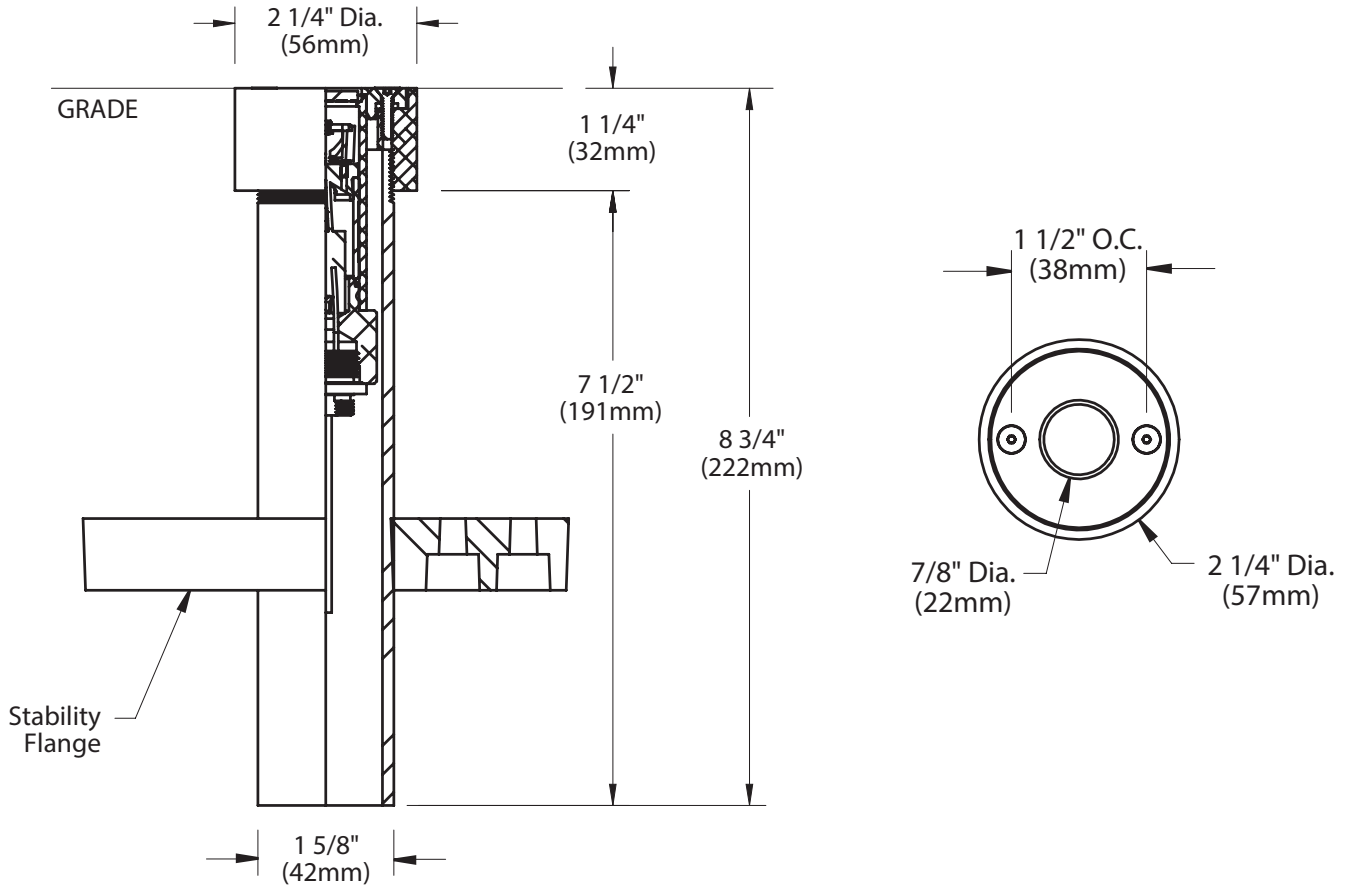
MOD OPTION

25 - 25 Ft Leads

DATE:

PROJECT:

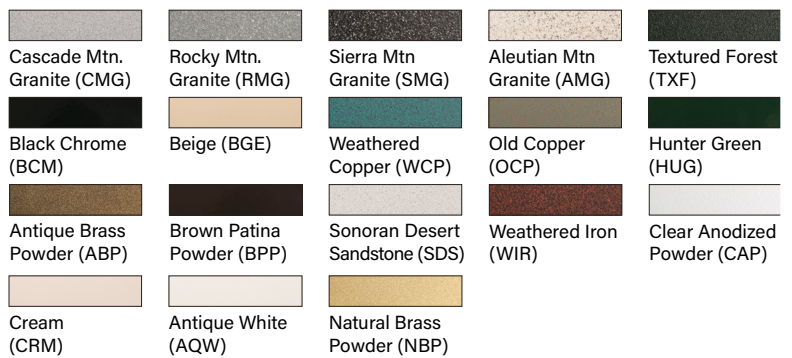
TYPE:



STANDARD FINISHES



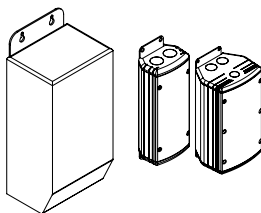
PREMIUM FINISHES



[Click Here](#) to view larger, full-color swatches of all available finishes on our website.

DATE:	PROJECT:	TYPE:
-------	----------	-------

ACCESSORIES (Configure separately)



TR Series

UPMRM

SPECIFICATIONS

ELECTRICAL	WATTAGE	3W LED
	OPERATING VOLTAGE	PVC coated, 18AWG, 150V, 60°C rated and certified to UL 1838 standard. Anti-Siphon Valve (ASV™) prevents “wicking” through conductor insulation.
	REMOTE TRANSFORMER	For use with 12VAC remote transformer or magnetic transformers only. B-K Lighting cannot guarantee performance with third party manufacturers’ transformers.
PHYSICAL	MATERIALS	Furnished in copper-free aluminum (6061-T6), brass (360) or stainless steel (304).
	BODY	Unibody design is fully machined from solid billet and provides enclosed, water-proof wireway and integral heat sink for maximum component life. High temperature, silicone ‘O’ Ring provides water-tight seal. Provided with hardcoat (Type III) black anodize finish for maximum corrosion resistance. Weather-tight cable connector with 5/0,” 18Ga, 2 wire low voltage cable.
	HOUSING	Fixture provided with 1-5/8” dia., schedule 80 PVC housing for direct burial into soil or concrete. 6” dia., molded stability flange projects into substrate to simplify installation and reinforce housing stability. Integral concrete pour collar for flush installation with finished grade. Collar material and finish to match faceplate. Two (2) threaded holes for faceplate installation.
	FACEPLATE	Fully machined from solid billet. Countersunk holes provide for flush hardware mounting. Accommodates one (1) lens or louver media.
	LENS	Shock-resistant, tempered glass lens is factory adhered to fixture cap and provides hermetically sealed optical compartment.
	LED	Integrated solid state system and modular design with electrical quick disconnects is scalable for field upgrade and maintenance. High power, forward throw source complies with ANSI C78.377 binning requirements and exceeds ENERGY STAR® lumen maintenance requirements. LM-80 certified components. Integral, constant current driver. 12VAC/VDC input. 50/60Hz. Proprietary input control scheme achieves power factor correction and eliminates inrush current. Output, overvoltage, open-circuit, and short circuit protected. Inrush current limited to <1A (non-dimming). Conforms to Safety Std. C22.2 No. 250.13-12.
	OPTICS	OPTIKIT modules are color-coded for easy reference.
	INSTALLATION	Flush Mount features integral concrete pour collar (CPC). Top edge of collar to be installed flush with finished grade. Faceplate is suitable for walk-over and drive-over applications to 35,000 lbs. GVW. Surface Mount features fully machined copper-free aluminum installation collar.
	HARDWARE	Tamper-resistant, stainless steel hardware. Faceplate screws are black oxide treated for additional corrosion resistance.
	FINISH	StarGuard, our 15-stage chromate-free process cleans and conversion coats aluminum components prior to application of Class ‘A’ TGIC polyester powder coating and is RoHS compliant. Powder coat or metal finish options available for brass material and metal finish option only for stainless steel material.
WARRANTY	5-year limited warranty.	
CERTIFICATION & LISTING	ITL tested to IESNA LM-79. UL Listed. Certified to CAN/CSA/ ANSI Standards. RoHs compliant. Suitable for use in wet locations and for ground-mounted recessed. IP66 Rated. Made in USA with sustainable processes.	



LAMP & DRIVER DATA (e70, e71, e72, e73)

DATE:

PROJECT:

TYPE:

DRIVER DATA	Input Volts	InRush Current	Operating Current	Operation Ambient Temperature
	12VAC/DC 50/60Hz	<250mA (non-dimmed)	500mA	-22°F-194°F (-30°C - 90°C)

LM79 DATA

L70 DATA

OPTICAL DATA

BK No.	CCT (Typ.)	CRI (Typ.)	Input Watts (Typ.)	Minimum Rated Life (hrs.) 70% of initial lumens (L ₇₀)	Angle	CBCP	Delivered Lumens
e70	2700K	80	3	50,000	17°	1347	167
	2700K	80	3	50,000	21°	664	139
	2700K	80	3	50,000	28°	524	149
	2700K	~	3	50,000	17°x31°	613	151
e71	3000K	80	3	50,000	17°	1411	175
	3000K	80	3	50,000	21°	695	146
	3000K	80	3	50,000	28°	548	156
	3000K	~	3	50,000	17°x31°	642	158
e72	4000K	80	3	50,000	17°	1585	197
	4000K	80	3	50,000	21°	781	164
	4000K	80	3	50,000	28°	616	175
	4000K	~	3	50,000	17°x31°	721	178
e73	Amber (590nm)	~	3	50,000	~	~	~

OPTICS

Optic	Angle
NSP - Narrow Spot	17°
SP - Spot	21°
MFL - Medium Flood	28°
ASY - Asymmetrical	17°x31°

B-K LIGHTING

MADE IN THE USA

559.438.5800 | INFO@BKLIGHTING.COM | BKLIGHTING.COM

THIS DOCUMENT CONTAINS PROPRIETARY INFORMATION OF B-K LIGHTING, INC. AND ITS RECEIPT OR POSSESSION DOES NOT CONVEY ANY RIGHTS TO REPRODUCE, DISCLOSE ITS CONTENTS, OR TO MANUFACTURE, USE OR SELL ANYTHING IT MAY DESCRIBE. REPRODUCTION, DISCLOSURE OR USE WITHOUT SPECIFIC WRITTEN AUTHORIZATION OF B-K LIGHTING, INC. IS STRICTLY FORBIDDEN.