

DATE: _____ PROJECT: _____ TYPE: _____

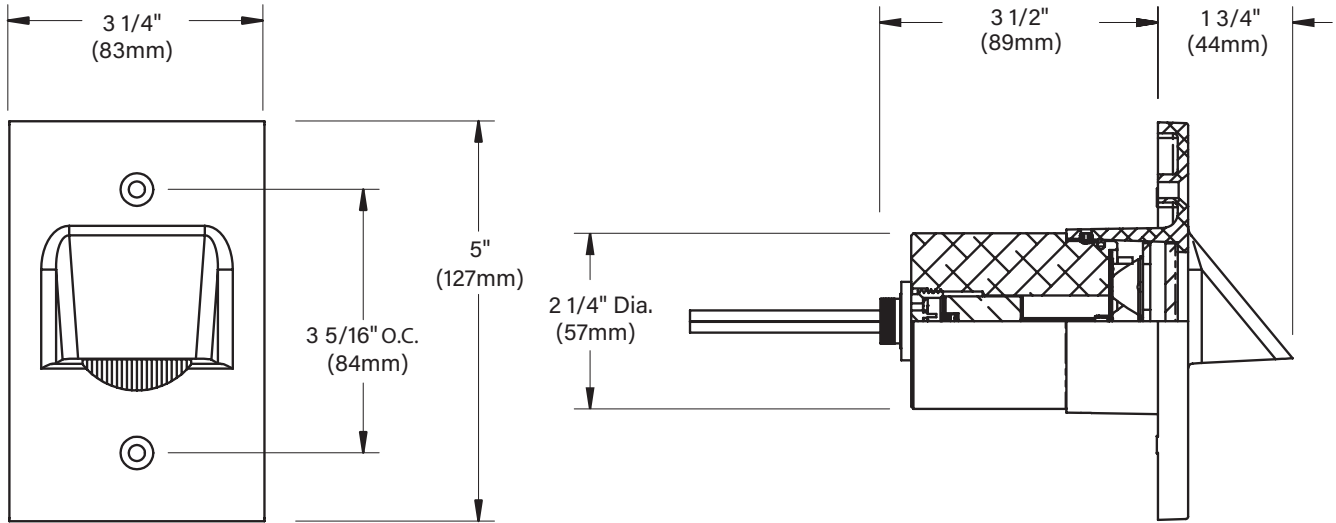
CATALOG NUMBER LOGIC:



**Requires magnetic low voltage dimmer.*
***Please see Adjust-e-Lume photometry to determine desired intensity.*

| | |
|---|--------------------------|
| CATALOG NUMBER LOGIC | |
| Example: B - CD - VB - LED - e65 - A7 - SAP | |
| MATERIAL | |
| (Blank) - Aluminum B - Brass | |
| INSTALLATION | |
| CD - Core Drill | |
| SERIES | |
| VB - Vertical Brick Star | |
| SOURCE | |
| LED - with Integral Dimming Driver (25W min. load when dimmed)* | |
| LED TYPE | |
| e64 - 7W LED/2700K | e79 - 7W LED/2700K 90CRI |
| e65 - 7W LED/3000K | e80 - 7W LED/3000K 90CRI |
| e66 - 7W LED/4000K | e81 - 7W LED/3500K 80CRI |
| e74 - 7W LED/Amber | |
| ADJUST-E-LUME OUTPUT INTENSITY** | |
| A9 (Standard), A8, A7, A6, A5, A4, A3, A2, A1 | |
| FINISH (See page 2 for full-color swatches) | |
| Standard Finishes (BZP, BZW, BLP, BLW, WHP, WHW, SAP, VER) | |
| Premium Finish (ABP, AMG, AQW, BCM, BGE, BPP, CAP, CMG, CRM, HUG, NBP, OCP, RMG, SDS, SMG, TXF, WCP, WIR) | |
| Also available in RAL Finishes | |
| Brass Finishes (MAC, POL, MIT) | |
| MOD OPTION | |
| 25 - 25 Ft Leads | |

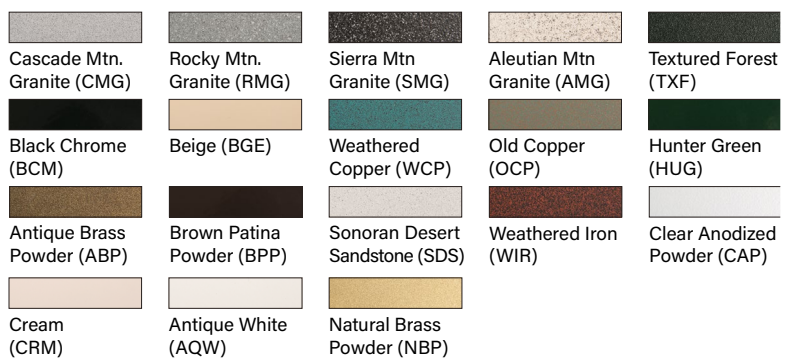
DATE: _____ PROJECT: _____ TYPE: _____



STANDARD FINISHES



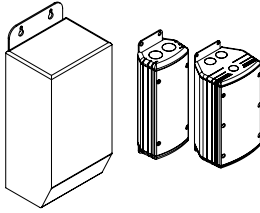
PREMIUM FINISHES



[Click Here](#) to view larger, full-color swatches of all available finishes on our website.

DATE: _____ PROJECT: _____ TYPE: _____

ACCESSORIES (Configure separately)



TR Series

UPMRM

SPECIFICATIONS

| | | |
|------------|-------------------------|--|
| ELECTRICAL | WATTAGE | 7W LED |
| | ADJUST-E-LUME | Integral electronics allows dynamic lumen response at the individual fixture. Indexed (100% to 25% nom.) lumen output. Maintains output at desired level or may be changed as conditions require. Specify factory preset output intensity. |
| | WIRING | Teflon® coated, 18AWG, 600V, 250° C rated and certified to UL 1659 standard. Anti-Siphon Valve (ASV™) prevents “wicking” through conductor insulation. |
| | REMOTE TRANSFORMER | For use with 12VAC remote transformer or magnetic transformers only. B-K Lighting cannot guarantee performance with third party manufacturers’ transformers. |
| PHYSICAL | MATERIALS | Furnished in copper-free aluminum (360) or brass (360). |
| | CORE DRILL | Allows for mounting into existing structures that will not easily accept a standard box. 2-1/2” dia. hole required for slip fit. |
| | BODY | Unibody design is fully machined from solid billet and provides enclosed, water-proof wireway and integral heat sink for maximum component life. High temperature, silicone ‘O’ Ring provides water-tight seal. Provided with hardcoat (Type III) black anodize finish for maximum corrosion resistance. Weather-tight cable connector with 5’0,” 18Ga., 2 wire low voltage cable. |
| | FACEPLATE | Cast construction with machined finish. Countersunk holes provide for flush hardware mounting (by others). |
| | LENS | Shock-resistant, tempered glass lens is factory adhered to faceplate and provides hermetically sealed optical compartment. |
| | LED | Integrated solid state system and modular design with electrical quick disconnects is scalable for field upgrade and maintenance. High power, forward throw source complies with ANSI C78.377 binning requirements and exceeds ENERGY STAR® lumen maintenance requirements. LM-80 certified components. Integral, constant current driver. 12VAC/VDC input. 50/60Hz. Proprietary input control scheme achieves power factor correction and eliminates inrush current. Output, overvoltage, open-circuit, and short circuit protected. Inrush current limited to <1A (non-dimming). Conforms to Safety Std. C22.2 No. 25013-12. |
| | DIMMING | Line voltage dimmable via magnetic low voltage dimmer with dedicated neutral conductor. For purposes of dimming: Remote magnetic transformer with LED loads should be loaded to 25% of the transformer VA (watts) rated value. |
| | OPTICS & CUTOFF | Rectilinear design provides wide lateral distribution and long forward throw. 90° optical cutoff for mounting heights well below typical visual glare angles. |
| | HARDWARE | Tamper-resistant, stainless steel fixture hardware. Mounting hardware by others. |
| | FINISH | StarGuard, our 15-stage chromate-free process cleans and conversion coats aluminum components prior to application of Class ‘A’ TGIC polyester powder coating and is RoHS compliant. Powder coat or metal finish options available for brass material and metal finish option only for stainless steel material. |
| | WARRANTY | 5-year limited warranty. |
| | CERTIFICATION & LISTING | ITL tested to IESNA LM-79. UL Listed. Certified to CAN/CSA/ANSI Standards. RoHS compliant. Suitable for indoor or outdoor use, in wet locations, and for installation in combustible materials (Type Non-IC) and within 4’ of the ground. IP65 Rated. Made in the USA with sustainable processes. |



LAMP & DRIVER DATA (e64, e65, e66, e74)

DATE: _____ PROJECT: _____ TYPE: _____

| DRIVER DATA | Input Volts | InRush Current | Operating | Dimmable | Operation Ambient Temperature |
|--------------------|--------------------|-----------------------|------------------|-----------------------------|--------------------------------------|
| | 12VAC/DC 50/60Hz | <250mA (non-dimmed) | 700mA | Magnetic Low Voltage Dimmer | -10°F-130°F (-12°C-54°C) |

| LM79 DATA | | | | L70 DATA | OPTICAL DATA |
|------------------|-------------------|-------------------|---------------------------|---|-------------------------|
| BK No. | CCT (Typ.) | CRI (Typ.) | Input Watts (Typ.) | Minimum Rated Life (hrs.) 70% of initial lumens (L₇₀) | Delivered Lumens |
| e64 | 2700K | 80 | 7 | 50,000 | 55 |
| e65 | 3000K | 80 | 7 | 50,000 | 56 |
| e66 | 4000K | 80 | 7 | 50,000 | 63 |
| e74 | Amber (590nm) | ~ | 7 | 50,000 | ~ |

B-K LIGHTING

MADE IN THE USA

559.438.5800 | INFO@BKLIGHTING.COM | BKLIGHTING.COM

THIS DOCUMENT CONTAINS PROPRIETARY INFORMATION OF B-K LIGHTING, INC. AND ITS RECEIPT OR POSSESSION DOES NOT CONVEY ANY RIGHTS TO REPRODUCE, DISCLOSE ITS CONTENTS, OR TO MANUFACTURE, USE OR SELL ANYTHING IT MAY DESCRIBE. REPRODUCTION, DISCLOSURE OR USE WITHOUT SPECIFIC WRITTEN AUTHORIZATION OF B-K LIGHTING, INC. IS STRICTLY FORBIDDEN.