

DATE: \_\_\_\_\_ PROJECT: \_\_\_\_\_ TYPE: \_\_\_\_\_

CATALOG NUMBER LOGIC:



**CATALOG NUMBER LOGIC**

Example: WM - 30 - MM - LED - e71 - SP - WHP - 12 - 11 - C

**MATERIAL**

Aluminum

**SERIES**

WM - Twin Pendant

**PROJECTION**

18" (Standard), 24", 30", 36", 42", or 48" height

**FIXTURE**

MM - Mini-Micro

**SOURCE**

LED - with Non-Dimming Integral Driver

**LED TYPE**

e70 - 3W LED/2700K	e85 - 3W LED/2700K 90 CRI
e71 - 3W LED/3000K	e86 - 3W LED/3000K 90 CRI
e72 - 3W LED/4000K	e87 - 3W LED/3500K 80 CRI
e73 - 3W LED/Amber	

**OPTICS**

NSP - Narrow Spot (17°)	MFL - Medium Flood (28°)
SP - Spot (21°)	ASY - Asymmetrical (17x31°)

**FINISH (See page 2 for full-color swatches)**

Standard Finishes (BZP, BZW, BLP, BLW, WHP, WHW, SAP, VER)

Premium Finish (ABP, AMG, AQW, BCM, BGE, BPP, CAP, CMG, CRM, HUG, NBP, OCP, RMG, SDS, SMG, TXF, WCP, WIR)

(Also available in RAL Finishes. See submittal SUB-1439-00)

RAL Finishes (Also available, see submittal SUB-1439-00)

**LENS TYPE**

12 - Soft Focus	13 - Rectilinear
-----------------	------------------

**SHIELDING**

11 - Honeycomb Baffle

**CAP STYLE**

- C - Flush
- D - 45° Less Weephole
- E - 90° Less Weephole

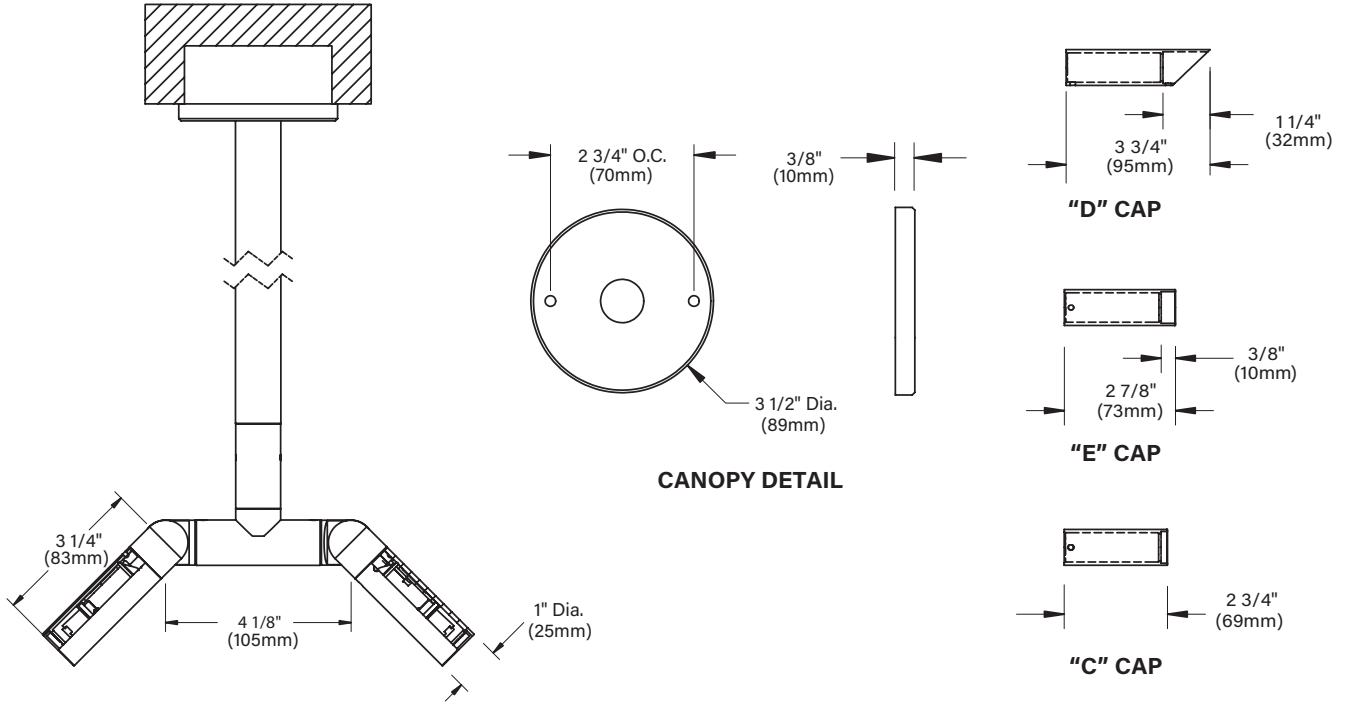
**MOD OPTIONS**

- 5 - 5 Ft Leads
- 25 - 25 Ft Leads

DATE:

PROJECT:

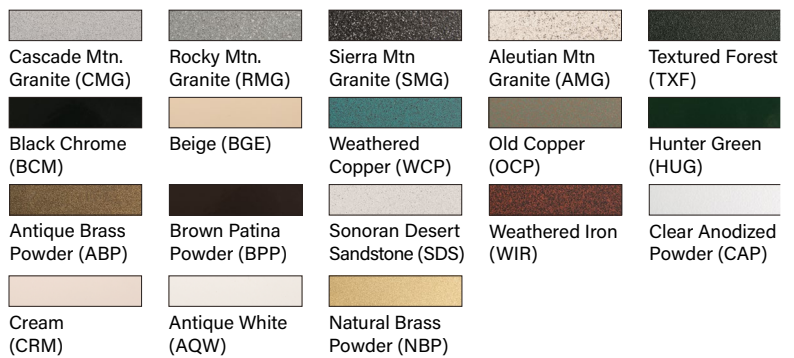
TYPE:



**STANDARD FINISHES**



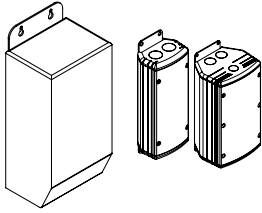
**PREMIUM FINISHES**



[Click Here](#) to view larger, full-color swatches of all available finishes on our website.

DATE: \_\_\_\_\_ PROJECT: \_\_\_\_\_ TYPE: \_\_\_\_\_

ACCESSORIES (Configure separately)



TR Series

UPMRM

SPECIFICATIONS

<p>ELECTRICAL</p>	<p>WATTAGE WIRING REMOTE TRANSFORMER</p>	<p>3W LED Teflon® coated, 18AWG, 150V, 60°C rated and certified to UL 1838 standard. For use with 12VAC remote transformer or magnetic transformers only. B-K Lighting cannot guarantee performance with third party manufacturers' transformers.</p>
<p>PHYSICAL</p>	<p>MATERIALS BODY KNUCKLE CAP STEM LENS LED OPTICS INSTALLATION HARDWARE FINISH WARRANTY CERTIFICATION &amp; LISTING</p>	<p>Furnished in copper-free aluminum (6061-T6), brass (360) or stainless steel (304). Unibody design is fully machined from solid billet and provides enclosed, water-proof wireway and integral heat sink for maximum component life. Integral knuckle for maximum mechanical strength. High temperature, silicone 'O' Ring provides water-tight seal. LOCK Knuckle is integral to the body and features an interior taper machined from solid billet and a second, reverse angle taper allowing full 180° vertical adjustment without the use of aim-limiting serrated teeth. High temperature, silicone 'O' Ring provides water-tight seal and compressive resistance to maintain fixture position. Design withstands 73 lbs. static load prior to movement for optical alignment with a ½" pipe thread for mounting. Optional 360SL provides biaxial source control with 360° horizontal rotation in addition to vertical adjustment. Fully machined and accommodates one (1) lens or louver media. Fully machined, 1" dia. with internal threads for maximum visual appeal. Available in configurable lengths to 48" maximum. Shock-resistant, tempered glass lens is factory adhered to fixture cap and provides hermetically sealed optical compartment. Integrated solid state system. High power, forward throw source complies with ANSI C78.377 binning requirements and exceeds ENERGY STAR® lumen maintenance requirements. LM-80 certified components. Integral non-dimming driver. Minimum 50,000 hour rated life at 70% of initial lumens (L70). LED technology provides long life, significant energy reduction and exceptional thermal management. OPTIKIT modules are color-coded for easy reference. 3-1/2" dia., machined canopy permits mounting to 3" octagonal junction box or 4" junction box with mud ring (by others). Tamper-resistant, stainless steel hardware. LOCK aiming screw and canopy mounting screws are black oxide treated for additional corrosion resistance. StarGuard, our 15-stage chromate-free process cleans and conversion coats aluminum components prior to application of Class 'A' TGIC polyester powder coating and is RoHS compliant. Powder coat or metal finish options available for brass material and metal finish option only for stainless steel material. 5-year limited warranty. ITL tested to IESNA LM-79. UL Listed. Certified to CAN/CSA/ANSI Standards. RoHS compliant. Suitable for indoor or outdoor use, in wet locations, and for installation within 4' of the ground. IP66 Rated. Made in the USA with sustainable processes.</p>



# LAMP & DRIVER DATA (e70, e71, e72, e73)

DATE: \_\_\_\_\_ PROJECT: \_\_\_\_\_ TYPE: \_\_\_\_\_

DRIVER DATA	Input Volts	InRush Current	Operating Current	Operation Ambient Temperature
		12VAC/DC 50/60Hz	<250mA (non-dimmed)	700mA

LM79 DATA				L70 DATA		OPTICAL DATA		
BK No.	CCT (Typ.)	CRI (Typ.)	Input Watts (Typ.)	Minimum Rated Life (hrs.) 70% of initial lumens (L <sub>70</sub> )		Angle	CBCP	Delivered Lumens
e70	2700K	80	3	50,000		17°	1347	167
	2700K	80	3	50,000		21°	664	139
	2700K	80	3	50,000		28°	524	149
	2700K	~	3	50,000		17°x31°	613	151
e71	3000K	80	3	50,000		17°	1411	175
	3000K	80	3	50,000		21°	695	146
	3000K	80	3	50,000		28°	548	156
	3000K	~	3	50,000		17°x31°	642	158
e72	4000K	80	3	50,000		17°	1585	197
	4000K	80	3	50,000		21°	781	164
	4000K	80	3	50,000		28°	616	175
	4000K	~	3	50,000		17°x31°	721	178
e73	Amber (590nm)	~	3	50,000		~	~	~

## OPTICS

Optic	Angle
NSP - Narrow Spot	17°
SP - Spot	21°
MFL - Medium Flood	28°
ASY - Asymmetrical	17°x31°

**B-K LIGHTING**

MADE IN THE USA

559.438.5800 | INFO@BKLIGHTING.COM | BKLIGHTING.COM

THIS DOCUMENT CONTAINS PROPRIETARY INFORMATION OF B-K LIGHTING, INC. AND ITS RECEIPT OR POSSESSION DOES NOT CONVEY ANY RIGHTS TO REPRODUCE, DISCLOSE ITS CONTENTS, OR TO MANUFACTURE, USE OR SELL ANYTHING IT MAY DESCRIBE. REPRODUCTION, DISCLOSURE OR USE WITHOUT SPECIFIC WRITTEN AUTHORIZATION OF B-K LIGHTING, INC. IS STRICTLY FORBIDDEN.