

DATE:	PROJECT:	TYPE:
-------	----------	-------

CATALOG NUMBER LOGIC:



\*Lamp details available on the 3rd page.

\*\*Select 1 for RS. Accessory Holder required.

**CATALOG NUMBER LOGIC**

Example: CO2 - AR - RS - 402 - BZW - 10 - 11 - 5 - AH - GM-R

**MATERIAL**

(Blank) - Aluminum B - Brass S - Stainless Steel

**FACEPLATE**

CO2 - Flange (Installs above finished surface)

**OptiLock®**

AR - PAR36 or AR111

**HOUSING**

RS - Shallow Housing

**LAMP TYPE**

0 - Furnished by Others

PAR36 or AR111 (This choice requires lamp number selection)\*

**FINISH (See page 2 for full-color swatches)**

Standard Finishes (BZP, BZW, BLP, BLW, WHP, WHW, SAP, VER)

Premium Finish (ABP, AMG, AQW, BCM, BGE, BPP, CAP, CMG, CRM, HUG, NBP, OCP, RMG, SDS, SMG, TXF, WCP, WIR)

Also available in RAL Finishes

Brass Finishes (MAC, POL, MIT)

Stainless Steel Finishes (MAC, POL)

**ACCESSORY\*\***

10 - Spread Lens

11 - Honeycomb Baffle

12 - Soft Focus Lens

13 - Rectilinear Lens

**WIRE LENGTH**

5 - 5ft Low Voltage Cable

25 - 25ft Low Voltage Cable

**OPTIONS**

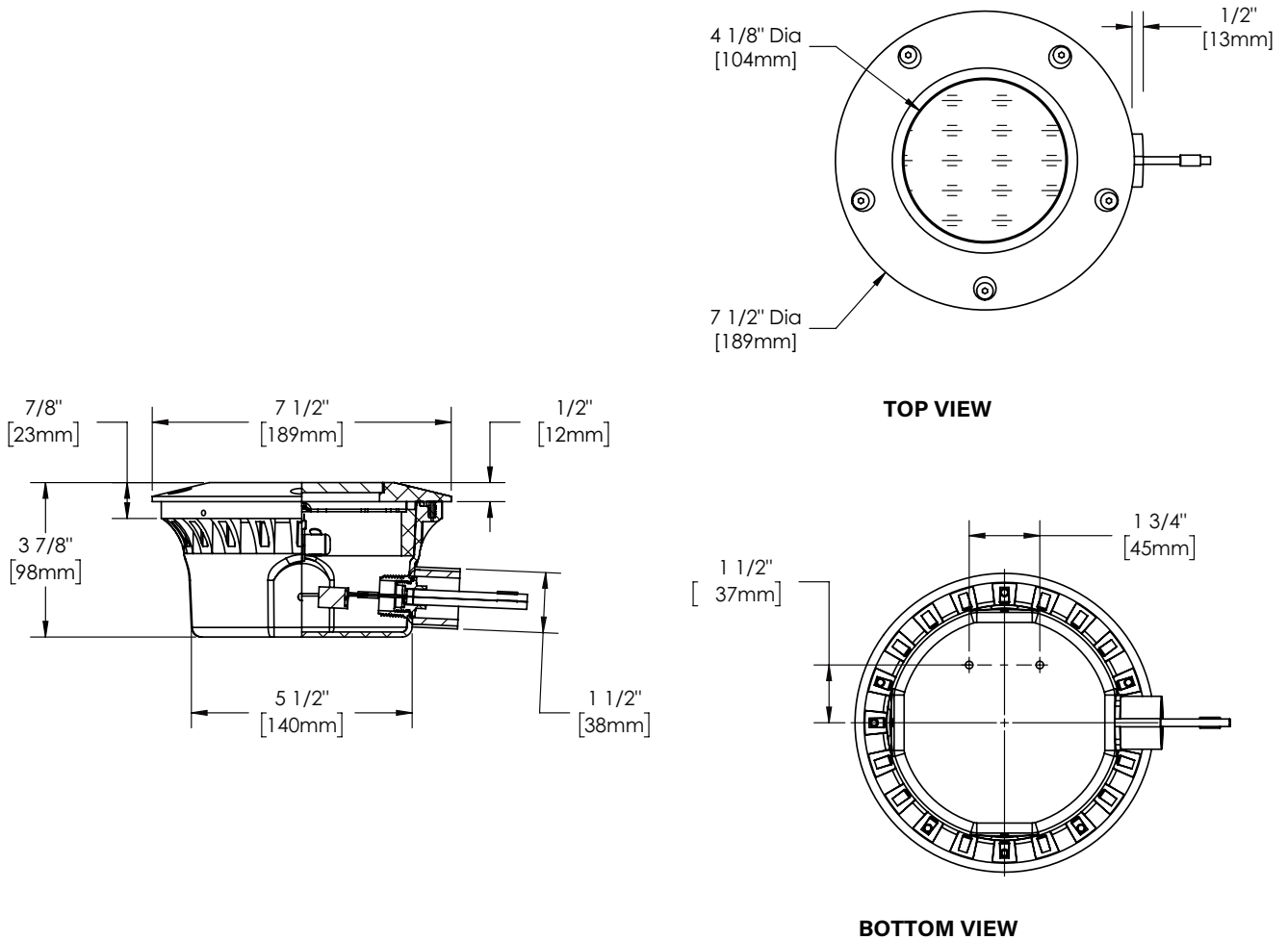
AH - Accessory Holder

TC - Traction Control Lens

GM-R - Round Grout Mask

GM-S - Square Grout Mask

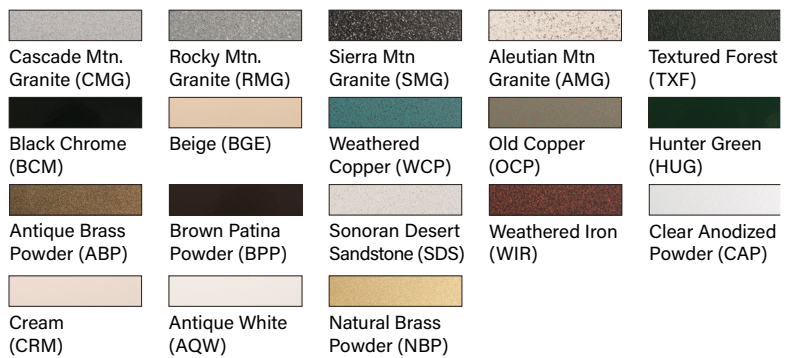
DATE: \_\_\_\_\_ PROJECT: \_\_\_\_\_ TYPE: \_\_\_\_\_



**STANDARD FINISHES**



**PREMIUM FINISHES**



[Click Here](#) to view larger, full-color swatches of all available finishes on our website.

# PAR36/AR111

DATE: PROJECT: TYPE:

CATALOG NUMBER LOGIC:



AR111 Lamp



Par36 Lamp

## LAMP TYPE

0 - Furnished by Others

## PAR36 LAMP TYPE

400 - 20PAR36/WFL30 (20W) 30° W. Flood

401 - 36PAR36/VNSP5 (36W) 5° V.N. Spot

402 - 36PAR36/NSP13 (36W) 13° N. Spot

403 - 36PAR36/WFL30 (36W) 30° Wide Flood

404 - 50PAR36/NSP6 (50W) 6° N. Spot

405 - 50PAR36/WFL30 (50W) 30° W. Flood

## AR111 LAMP TYPE

35 - 35AR111/VNSP (35W) 4° V.N. Spot

36 - 35AR111/NSP (35W) 8° N. Spot

37 - 35AR111/FL (35W) 25° Flood

38 - 50AR111/VNSP (50W) 4° V.N. Spot

39 - 50AR111/NSP (50W) 8° N. Spot

40 - 50AR111/FL (50W) 25° Flood

41 - 75AR111/NSP (75W) 8° N. Spot

42 - 75AR111/FL (75W) 25° Flood

43 - 75AR111/WFL (75W) 45° W. Flood

DATE:	PROJECT:	TYPE:
-------	----------	-------

ACCESSORIES (Configure separately)

## SPECIFICATIONS

ELECTRICAL	WATTAGE	PAR-36 = 50W Max. - AR-111 =75W Max.
	WIRING / CONNECTORS	Anti-wicking potter connector with 12/2 PVC, wire. 150V 60°C rated and certified to UL 1838. Available in 5ft or 25ft lengths. 3/4" conduit connector for use with dry conduit system. Features OptiLock® and quick disconnects. Maximum (2) #10 & (1) #18. Minimum (1) #12 & (1) #18.
	REMOTE TRANSFORMER	For use with remote 12VAC transformer. See Low Voltage Design Guide to determine lamp-to-transformer distance and wiring requirements prior to detailing field installation of any remote wiring.
PHYSICAL	FIXTURE HOUSING	Corrosion-free composite, made from high strength, thermo-formed, sheet molded polyester compound. Glass reinforced, flame retardant and UV stabilized. Factory installed and pre-wired fully potted anti-wicking connector with 3/4" PVC Conduit Fitting. Two (2) wire low voltage cable with 5' or 25' options extend from fixture housing to facilitate external wire splice.
	AIMING	Dual axis OptiLock® stainless steel aiming bracket rotates 360° and provides vertical adjustment up to 35° from nadir. Positive lock action ensures optical orientation.
	INSTALLATION	For direct burial in soil or concrete. Consult Drainage Installation Guide for In-Grade Fixtures (DIG-IT) for compliance with proper soil preparation and drainage requirements prior to installation.
	LENS	High heat, Shock-resistant, 1/4" Tempered Soda Lime glass lens.
	FACEPLATE	Solid, 1/2" machined 6061T6 aluminum with five (5) black oxide, captive, stainless steel mounting screws. Faceplate options include solid, 1/2" machined brass and solid, 1/2" machined stainless steel.
	FINISH	StarGuard, our 15-stage chromate-free process cleans and conversion coats aluminum components prior to application of Class 'A' TGIC polyester powder coating and is RoHS compliant.
	WARRANTY	5-year limited warranty.
CERTIFICATION & LISTING	UL Listed. Certified to CAN/CSA/ANSI Standards. IP68 Rated. Made in the USA with sustainable processes.	



**B-K LIGHTING**

**MADE IN THE USA**

559.438.5800 | INFO@BKLIGHTING.COM | BKLIGHTING.COM