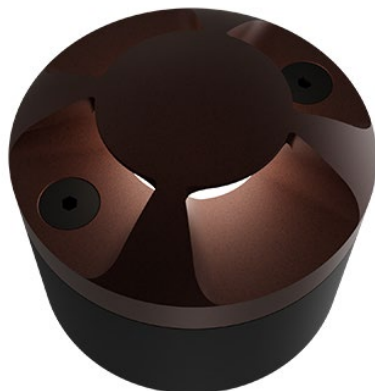


DATE: \_\_\_\_\_ PROJECT: \_\_\_\_\_ TYPE: \_\_\_\_\_

CATALOG NUMBER LOGIC:



*\*Use with remote 12VAC Magnetic Transformer.*

**CATALOG NUMBER LOGIC**

Example: MD - LED - e71 - F - SAP - 1 - A

**MATERIAL**

(Blank) - Aluminum B - Brass S - Stainless Steel

**SERIES**

MD - Mini-Micro DriveStar

**SOURCE**

LED - Solid State System with Integral Non-Dimming Driver\*

**LED TYPE**

e70 - 3W LED/2700K e85 - 3W LED/2700K 90 CRI

e71 - 3W LED/3000K e86 - 3W LED/3000K 90 CRI

e72 - 3W LED/4000K e87 - 3W LED/3500K 80 CRI

e73 - 3W LED/Amber

**INSTALLATION**

F - Flush

**FINISH (See page 2 for full-color swatches)**

Standard Finishes (BZP, BZW, BLP, BLW, WHP, WHW, SAP, VER)

Premium Finish (ABP, AMG, AQW, BCM, BGE, BPP, CAP, CMG, CRM, HUG, NBP, OCP, RMG, SDS, SMG, TXF, WCP, WIR)

Also available in RAL Finishes

Brass Finishes (MAC, POL, MIT)

Stainless Steel Finishes (MAC, POL)

**OPTICAL OPENINGS**

1 - Single

2 - 2 @ 180°

4 - 4 @ 90°

**FACEPLATE STYLE**

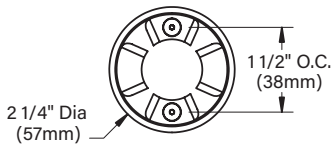
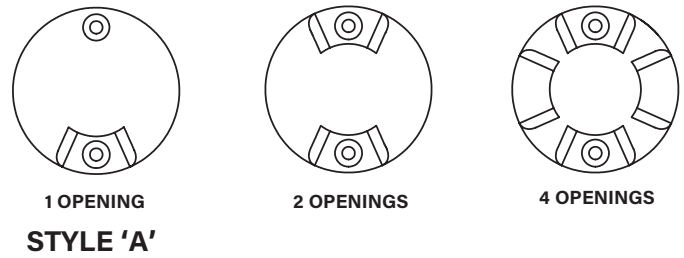
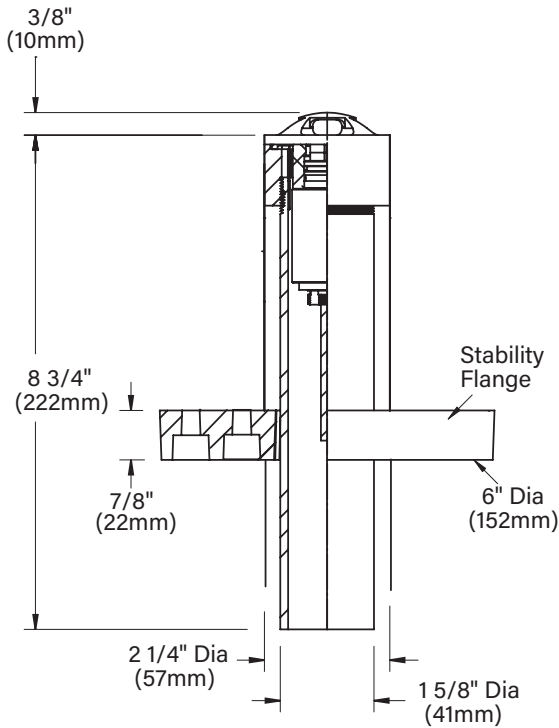
A - Solid

B - Round Accent

**MOD OPTION**

25 - 25 Ft Leads

DATE: \_\_\_\_\_ PROJECT: \_\_\_\_\_ TYPE: \_\_\_\_\_



**SURFACE MOUNT**

**STANDARD FINISHES**



**PREMIUM FINISHES**



[Click Here](#) to view larger, full-color swatches of all available finishes on our website.

DATE:	PROJECT:	TYPE:
-------	----------	-------

ACCESSORIES (Configure separately)

SPECIFICATIONS

ELECTRICAL	WATTAGE	3W LED
	WIRING	Teflon® coated, 18AWG, 600V, 250° C rated and certified to UL 1659 standard. Anti-Siphon Valve (ASV™) prevents “wicking” through conductor insulation. Provided with 5’ fixture leads.
	TRANSFORMER	For use with 12VAC remote magnetic transformers only. B-K Lighting cannot guarantee performance with third party manufacturers’ transformers.
PHYSICAL	MATERIALS	Furnished in copper-free aluminum (6061-T6), brass (360) or stainless steel (304).
	BODY	Unibody design with enclosed, water-proof wireway and integral heat sink is fully machined from solid billet.
	HOUSING	Fixture provided with 1-5/8” dia., 80 PVC housing for direct burial into soil or concrete. 6” dia., molded stability flange projects into substrate to simplify installation and reinforce housing stability.
	FACEPLATE	Machined from solid, copper-free aluminum, brass or stainless steel. Available with one, two, or four optical openings. Countersunk holes provide for flush hardware mounting.
	LENS	Shock-resistant, tempered, frosted acrylic lens is factory adhered to faceplate and provides hermetically sealed optical compartment.
	LED	Integrated solid state system and modular design with electrical quick disconnects permit field upgrade and maintenance. High power, forward throw source complies with ANSI C78.377 binning requirements and exceeds ENERGY STAR® lumen maintenance requirements. LM-80 certified components. Integral, non-dim. constant current driver. 12VAC/VDC input. 50/60Hz. Proprietary input control scheme achieves power factor correction and eliminates inrush current. Output, over-voltage, open-circuit, and short circuit protected. Inrush current limited to 250mA.
	INSTALLATION	Features integral concrete pour collar (CPC). Top edge of collar to be installed flush with finished grade. Collar material and finish to match faceplate. Two (2) threaded holes for faceplate installation. Faceplate style A is suitable for walk-over and drive-over applications up to 35,000 lbs. GVW. Fully machined copper-free aluminum installation collar. Provided with hard-coat (Type III) black anodize finish for maximum corrosion resistance.
	HARDWARE	Tamper-resistant, stainless steel hardware. Faceplate screws are black oxide treated for additional corrosion resistance.
	FINISH	StarGuard, our 15-stage chromate-free process cleans and conversion coats aluminum components prior to application of Class ‘A’ TGIC polyester powder coating and is RoHS compliant.
	WARRANTY	5-year limited warranty.
CERTIFICATION & LISTING	UL Listed. Certified to CAN/CSA/ANSI Standards. ADA compliant. IP68 Rated. Made in the USA with sustainable processes.	



# LAMP & DRIVER DATA (e70, e71, e72, e73)

DATE: \_\_\_\_\_ PROJECT: \_\_\_\_\_ TYPE: \_\_\_\_\_

DRIVER DATA	Input Volts	InRush Current	Operating Current	Operation Ambient Temperature
		12VAC/DC 50/60Hz	<250mA (non-dimmed)	500mA

LM79 DATA				L70 DATA	OPTICAL DATA			
BK No.	CCT (Typ.)	CRI (Typ.)	Input Watts (Typ.)	Minimum Rated Life (hrs.) 70% of initial lumens (L <sub>70</sub> )	No. of Windows	Beam Type	Angle	Delivered Lumens
e70	2700K	80	3	50,000	1	Radial	360°h x 270°v	14
					2	Radial	360°h x 270°v	23
					4	Radial	360°h x 270°v	40
e71	3000K	80	3	50,000	1	Radial	360°h x 270°v	15
					2	Radial	360°h x 270°v	24
					4	Radial	360°h x 270°v	42
e72	4000K	80	3	50,000	1	Radial	360°h x 270°v	17
					2	Radial	360°h x 270°v	27
					4	Radial	360°h x 270°v	48
e73	Amber (590nm)	~	3	50,000	~	Radial	360°h x 270°v	~

**B-K LIGHTING**

MADE IN THE USA

559.438.5800 | INFO@BKLIGHTING.COM | BKLIGHTING.COM

THIS DOCUMENT CONTAINS PROPRIETARY INFORMATION OF B-K LIGHTING, INC. AND ITS RECEIPT OR POSSESSION DOES NOT CONVEY ANY RIGHTS TO REPRODUCE, DISCLOSE ITS CONTENTS, OR TO MANUFACTURE, USE OR SELL ANYTHING IT MAY DESCRIBE. REPRODUCTION, DISCLOSURE OR USE WITHOUT SPECIFIC WRITTEN AUTHORIZATION OF B-K LIGHTING, INC. IS STRICTLY FORBIDDEN.