

DATE:	PROJECT:	TYPE:
-------	----------	-------

CATALOG NUMBER LOGIC:



*\*Driver wattage must match fixture wattage.*

**CATALOG NUMBER LOGIC**

Example: PM2RM - TS-20 - D27INC - WHW - MT - MB

**MATERIAL**

Aluminum

**SERIES**

PM2RM - Universal Power Module 2 Remote

**MOUNTING**

TS-Length - Tree Strap (Specify adjustable strap length) 18" Standard Min.

**DRIVER TYPE\***

D12INC - 12W Dimming Driver

D20INC - 20W Dimming Driver

D27INC - 27W Dimming Driver

**FINISH (See page 2 for full-color swatches)**

Standard Finishes (BZP, BZW, BLP, BLW, WHP, WHW, SAP, VER)

Premium Finish (ABP, AMG, AQW, BCM, BGE, BPP, CAP, CMG, CRM, HUG, NBP, OCP, RMG, SDS, SMG, TXF, WCP, WIR)

(Also available in RAL Finishes. See submittal SUB-1439-00)

**INPUT VOLTAGE**

MT - 120-277 VAC

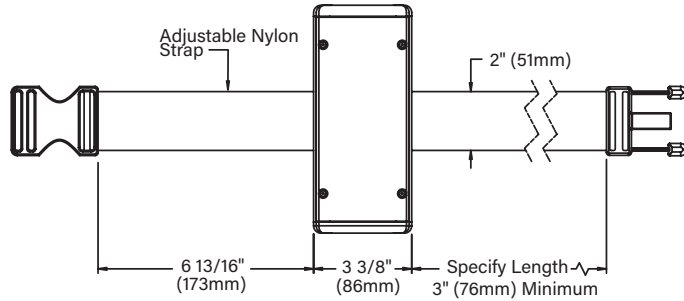
**OPTIONS**

SC - Safety Cable for use with Tree Strap Mount. Cable length to match strap length. 18" Standard Min.

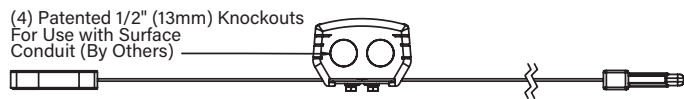
MB - Mounting Brackets

DATE: \_\_\_\_\_ PROJECT: \_\_\_\_\_ TYPE: \_\_\_\_\_

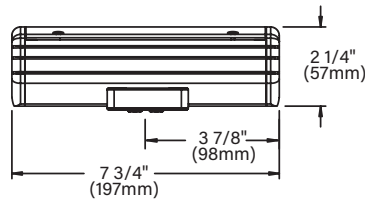
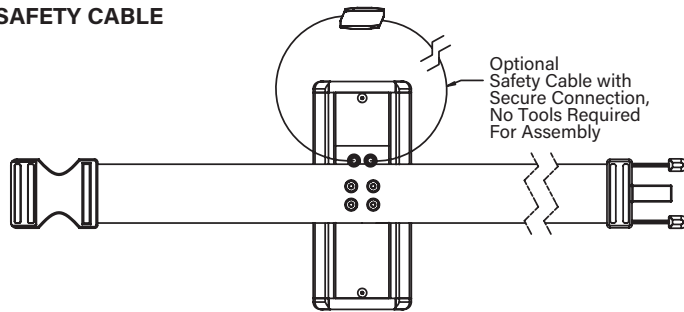
**FRONT VIEW**



**END VIEW**



**SAFETY CABLE**



**SIDE VIEW**

**⚠ REMOTE WIRING**

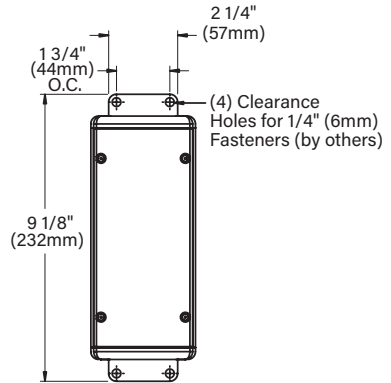
**Electronic Transformer**

Remote transformer installations require interconnected wiring between the lamp and transformer (by others). Electronic transformers have specific wiring requirements between these components. Transformer manufacturers regularly recommend the following wiring details for such installations:

- Do not exceed 8 foot overall wiring distance using 12 gauge copper wire.

Please consult the factory through your local B-K Lighting Sales Representative prior to finalizing any installation detail utilizing remote transformer wiring.

**Failure to comply with specific wiring requirements will void product warranty.**



**OPTIONAL MOUNTING BRACKET**

**STANDARD FINISHES**



**PREMIUM FINISHES**






[Click Here](#) to view larger, full-color swatches of all available finishes on our website.

DATE:	PROJECT:	TYPE:
-------	----------	-------

ACCESSORIES (Configure separately)

## SPECIFICATIONS

Electrical	DRIVER (12-27W)	One (1) 700mA (D12, D20, D27), Class A, constant current driver. 120-277VAC (nominal) primary input voltage. 50/60Hz. >0.94 Power Factor, 6A in-rush current, 0.25A input current, <20%THD (nominal at 120VAC full load). Output over-voltage, over-current, and short circuit protection with auto recovery. EMC: FCC47CFR Part 15 Class B compliant. Driver wattage must match Fixture wattage. Dimming driver for use with standard incandescent dimmers. 10-100% range.
PHYSICAL	TREE INSTALLATION	Tree Strap mounting system facilitates non-invasive installation. Adjustable nylon strap is mold and mildew resistant and will not hinder tree growth. Stainless steel safety cable maintains UPM mounting when nylon strap is disengaged.
	HOUSING	Copper free, aluminum extrusion with die cast end caps. Surface mounted with flow through back channel to prevent water and debris collection. Machined aluminum cover with countersunk holes for flush hardware installation. Tamper-resistant, captive, black oxide stainless steel mounting screws. Front access for ease of installation and inspection. Two (2) 1/2" NPT female conduit entries per end cap for through wiring.
	INSTALLATION TETHER	Stainless steel cable with integral loop allows cover to temporarily suspend from housing during installation to simplify wire connection and component attachment.
	PATENTED KNOCKOUTS	Four (4) 1/2" NPT, machined aluminum knockouts. High temperature, silicone 'O' Ring for water-tight seal. Patented design allows knockout to be reinserted without compromising seal integrity.
	FINISH	StarGuard, our 15-stage, chromate-free process cleans and conversion coats aluminum components prior to application of Class 'A' TGIC polyester powder coating and is RoHS compliant. Finish to match fixture. (specified separately).
	WARRANTY	5-year limited warranty.
	CERTIFICATION & LISTING	Certified to CAN/CSA/ANSI Standards. UL Listed. NEMA 4X / IP66 Rated Enclosure. RoHs compliant. Made in USA with sustainable processes.
  		

**B-K LIGHTING**

**MADE IN THE USA**

559.438.5800 | [INFO@BKLIGHTING.COM](mailto:INFO@BKLIGHTING.COM) | [BKLIGHTING.COM](http://BKLIGHTING.COM)

DATE:	PROJECT:	TYPE:
-------	----------	-------

CATALOG NUMBER LOGIC:



**CATALOG NUMBER LOGIC**

Example: PM2RM - SM - D27INC - WHW - MT

**MATERIAL**

Aluminum

**SERIES**

PM2RM - Universal Power Module 2 Remote

**MOUNTING**

SM - Surface Mount

**DRIVER TYPE\***

D12INC - 12W Dimming Driver

D20INC - 20W Dimming Driver

D27INC - 27W Dimming Driver

**FINISH (See page 2 for full-color swatches)**

Standard Finishes (BZP, BZW, BLP, BLW, WHP, WHW, SAP, VER)

Premium Finish (ABP, AMG, AQW, BCM, BGE, BPP, CAP, CMG, CRM, HUG, NBP, OCP, RMG, SDS, SMG, TXF, WCP, WIR)

(Also available in RAL Finishes. See submittal SUB-1439-00)

**INPUT VOLTAGE**

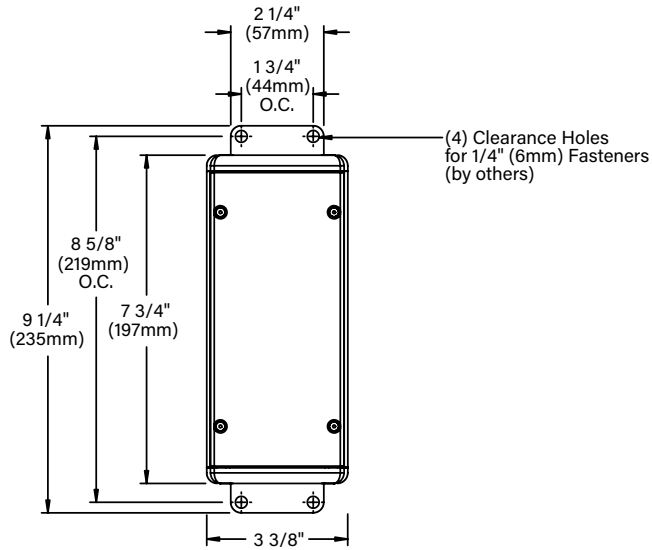
MT - 120-277 VAC

*\*Driver wattage must match fixture wattage.*

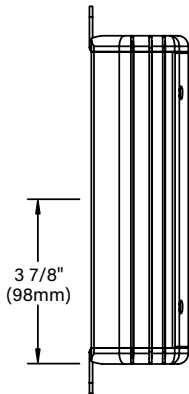
DATE:

PROJECT:

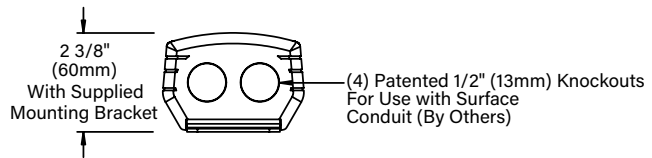
TYPE:



TOP VIEW



SIDE VIEW



END VIEW

**⚠ REMOTE WIRING**

**Electronic Transformer**

Remote transformer installations require interconnected wiring between the lamp and transformer (by others). Electronic transformers have specific wiring requirements between these components. Transformer manufacturers regularly recommend the following wiring details for such installations:

- Do not exceed 8 foot overall wiring distance using 12 gauge copper wire.

Please consult the factory through your local B-K Lighting Sales Representative prior to finalizing any installation detail utilizing remote transformer wiring.

**Failure to comply with specific wiring requirements will void product warranty.**

**STANDARD FINISHES**



**PREMIUM FINISHES**



[Click Here](#) to view larger, full-color swatches of all available finishes on our website.

DATE:	PROJECT:	TYPE:
-------	----------	-------

ACCESSORIES (Configure separately)

## SPECIFICATIONS

Electrical	DRIVER (12-27W)	One (1) 700mA (D12, D20, D27), Class A, constant current driver. 120-277VAC (nominal) primary input voltage. 50/60Hz. >0.94 Power Factor, 6A in-rush current, 0.25A input current, <20%THD (nominal at 120VAC full load). Output over-voltage, over-current, and short circuit protection with auto recovery. EMC: FCC47CFR Part 15 Class B compliant. Driver wattage must match Fixture wattage. Dimming driver for use with standard incandescent dimmers. 10-100% range.
PHYSICAL	SURFACE MOUNT	For use with side entry, surface conduits. Stainless steel mounting brackets provide for direct anchor to architectural surfaces in any orientation.
	HOUSING	Copper free, aluminum extrusion with die cast end caps. Surface mounted with flow through back channel to prevent water and debris collection. Machined aluminum cover with countersunk holes for flush hardware installation. Tamper-resistant, captive, black oxide stainless steel mounting screws. Front access for ease of installation and inspection. Two (2) 1/2" NPT female conduit entries per end cap for through wiring.
	INSTALLATION TETHER	Stainless steel cable with integral loop allows cover to temporarily suspend from housing during installation to simplify wire connection and component attachment.
	PATENTED KNOCKOUTS	Four (4) 1/2" NPT, machined aluminum knockouts. High temperature, silicone 'O' Ring for water-tight seal. Patented design allows knockout to be reinserted without compromising seal integrity.
	FINISH	StarGuard, our 15-stage, chromate-free process cleans and conversion coats aluminum components prior to application of Class 'A' TGIC polyester powder coating and is RoHS compliant. Finish to match fixture. (specified separately).
	WARRANTY	5-year limited warranty.
	CERTIFICATION & LISTING	Certified to CAN/CSA/ANSI Standards. UL Listed. NEMA 4X / IP66 Rated Enclosure. RoHs compliant. Made in USA with sustainable processes.



DATE:	PROJECT:	TYPE:
-------	----------	-------

CATALOG NUMBER LOGIC:



*\*Driver wattage must match fixture wattage.*

**CATALOG NUMBER LOGIC**

Example: PM2RM - CT - D27INC - WHW - MT - MB

**MATERIAL**

Aluminum

**SERIES**

PM2RM - Universal Power Module 2 Remote

**MOUNTING**

CR - Round Camlock Canopy (Recessed Junction Box)

CT - Rectangular Camlock Canopy (Recessed Junction Box)

**DRIVER TYPE\***

D12INC - 12W Dimming Driver

D20INC - 20W Dimming Driver

D27INC - 27W Dimming Driver

**FINISH (See page 2 for full-color swatches)**

Standard Finishes (BZP, BZW, BLP, BLW, WHP, WHW, SAP, VER)

Premium Finish (ABP, AMG, AQW, BCM, BGE, BPP, CAP, CMG, CRM, HUG, NBP, OCP, RMG, SDS, SMG, TXF, WCP, WIR)

(Also available in RAL Finishes. See submittal SUB-1439-00)

**INPUT VOLTAGE**

MT - 120-277 VAC

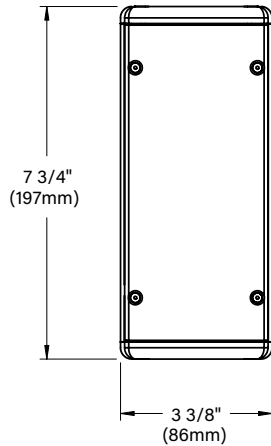
**OPTIONS**

MB - Mounting Brackets

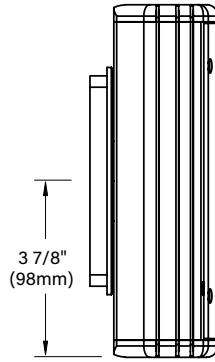
DATE:

PROJECT:

TYPE:



FRONT VIEW



SIDE VIEW

**⚠ REMOTE WIRING**

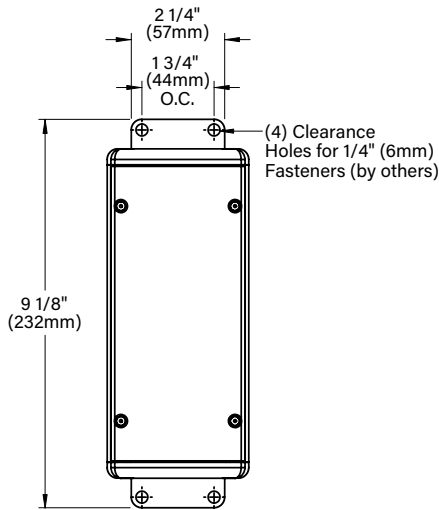
**Electronic Transformer**

Remote transformer installations require interconnected wiring between the lamp and transformer (by others). Electronic transformers have specific wiring requirements between these components. Transformer manufacturers regularly recommend the following wiring details for such installations:

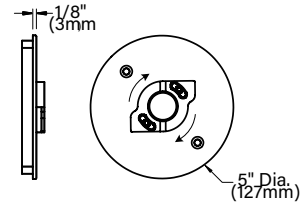
- Do not exceed 8 foot overall wiring distance using 12 gauge copper wire.

Please consult the factory through your local B-K Lighting Sales Representative prior to finalizing any installation detail utilizing remote transformer wiring.

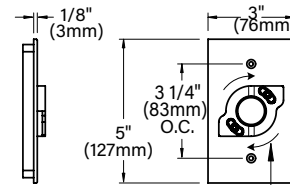
**Failure to comply with specific wiring requirements will void product warranty.**



OPTIONAL MOUNTING BRACKET



ROUND CAMLOCK™ CANOPY



RECTANGULAR CAMLOCK™ CANOPY

**STANDARD FINISHES**



**PREMIUM FINISHES**



[Click Here](#) to view larger, full-color swatches of all available finishes on our website.



DATE:	PROJECT:	TYPE:
-------	----------	-------

ACCESSORIES (Configure separately)

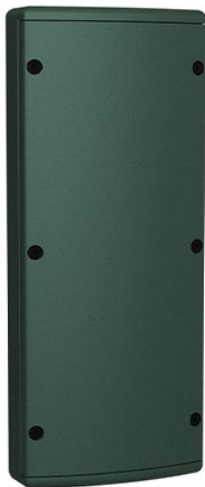
## SPECIFICATIONS

Electrical	DRIVER (12-27W)	One (1) 700mA (D12, D20, D27), Class A, constant current driver. 120-277VAC (nominal) primary input voltage. 50/60Hz. >0.94 Power Factor, 6A in-rush current, 0.25A input current, <20%THD (nominal at 120VAC full load). Output over-voltage, over-current, and short circuit protection with auto recovery. EMC: FCC47CFR Part 15 Class B compliant. Driver wattage must match Fixture wattage. Dimming driver for use with standard incandescent dimmers. 10-100% range.
PHYSICAL	ROUND CAMLOCK CANOPY (RECESSED JUNCTION BOX)	5" dia., machined aluminum construction. Includes stainless steel universal mounting ring for use with 4" octagonal junction box. Two (2) tamper-resistant, black oxide stainless steel mounting screws. 1/8" thick HT-805A silicone foam gasket for water-tight seal. Integral Camlock provides additional 30° adjustment for precision alignment of UPM regardless of junction box orientation. Integral wiper seal maintains water-tight integrity between UPM and junction box. Optional stainless steel mounting brackets may be specified to provide additional anchor to architectural surface.
	RECTANGULAR CAMLOCK CANOPY (RECESSED JUNCTION BOX)	Copper free, aluminum extrusion with die cast end caps. Surface mounted with flow through back channel to prevent water and debris collection. Machined aluminum cover with countersunk holes for flush hardware installation. Tamper-resistant, captive, black oxide stainless steel mounting screws. Front access for ease of installation and inspection. Two (2) 1/2" NPT female conduit entries per end cap for through wiring.
	HOUSING	Copper free, aluminum extrusion with die cast end caps. Surface mounted with flow through back channel to prevent water and debris collection. Machined aluminum cover with countersunk holes for flush hardware installation. Tamper-resistant, captive, black oxide stainless steel mounting screws. Front access for ease of installation and inspection. Two (2) 1/2" NPT female conduit entries per end cap for through wiring.
	INSTALLATION TETHER	Stainless steel cable with integral loop allows cover to temporarily suspend from housing during installation to simplify wire connection and component attachment.
	PATENTED KNOCKOUTS	Four (4) 1/2" NPT, machined aluminum knockouts. High temperature, silicone 'O' Ring for water-tight seal. Patented design allows knockout to be reinserted without compromising seal integrity.
	FINISH	StarGuard, our 15-stage, chromate-free process cleans and conversion coats aluminum components prior to application of Class 'A' TGIC polyester powder coating and is RoHS compliant. Finish to match fixture. (specified separately).
	WARRANTY	5-year limited warranty.
CERTIFICATION & LISTING	Certified to CAN/CSA/ANSI Standards. UL Listed. NEMA 4X / IP66 Rated Enclosure. RoHs compliant. Made in USA with sustainable processes.	



DATE:	PROJECT:	TYPE:
-------	----------	-------

CATALOG NUMBER LOGIC:

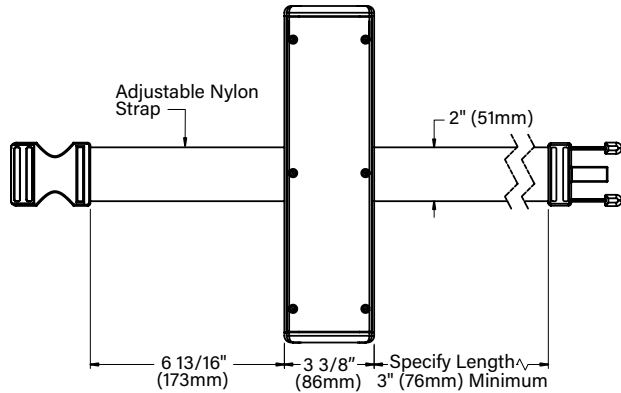


*\*Driver wattage must match fixture wattage.*

<b>CATALOG NUMBER LOGIC</b>
Example: PM2DRM - TS-20 - D12INC - SAP - MT - MB
<b>MATERIAL</b>
Aluminum
<b>SERIES</b>
PM2DRM - Universal Power Module 2 Dual Remote
<b>MOUNTING</b>
TS-Length - Tree Strap (Specify adjustable strap length) 18" Standard Min.
<b>DRIVER TYPE*</b>
D12INC - (2) 12W Dimming Drivers
D20INC - (2) 20W Dimming Drivers
D27INC - (2) 27W Dimming Drivers
<b>FINISH (See page 2 for full-color swatches)</b>
Standard Finishes (BZP, BZW, BLP, BLW, WHP, WHW, SAP, VER)
Premium Finish (ABP, AMG, AQW, BCM, BGE, BPP, CAP, CMG, CRM, HUG, NBP, OCP, RMG, SDS, SMG, TXF, WCP, WIR)
(Also available in RAL Finishes. See submittal SUB-1439-00)
<b>INPUT VOLTAGE</b>
MT - 120-277 VAC
<b>OPTIONS</b>
SC - Safety Cable for use with Tree Strap Mount. Cable length to match strap length. 18" Standard Min.
MB - Mounting Brackets

DATE: \_\_\_\_\_ PROJECT: \_\_\_\_\_ TYPE: \_\_\_\_\_

**FRONT VIEW**



**⚠ REMOTE WIRING**

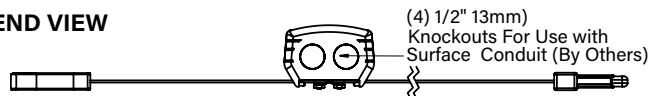
**LED Driver**

Remote driver installations require inter-connected wiring between the LED and driver (by others). Drivers have specific wiring requirements between these components. Driver manufacturers regularly recommend the following wiring details for such installations:

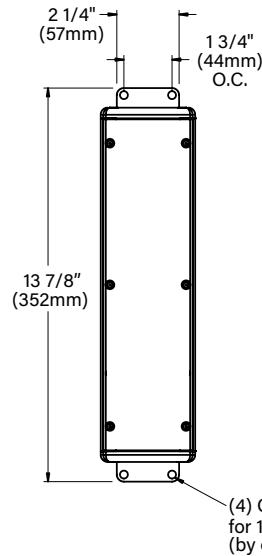
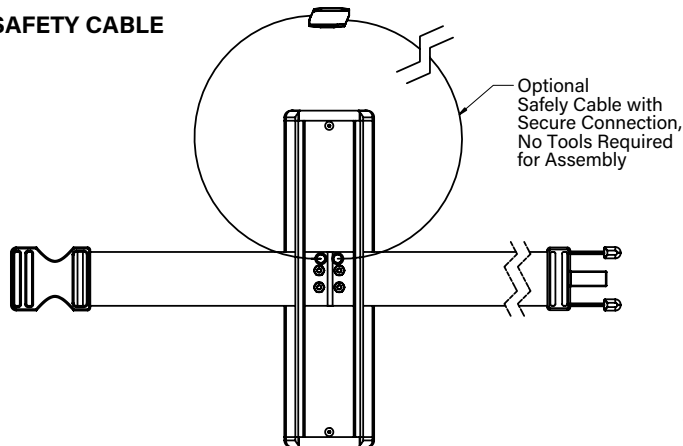
- Do not exceed 50 foot overall wiring distance using 12 gauge copper wire.

**Failure to comply with specific wiring requirements will void product warranty.**

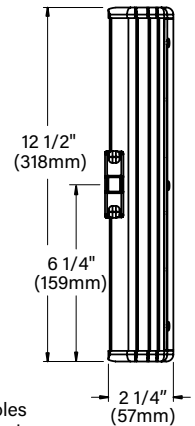
**END VIEW**



**SAFETY CABLE**



**OPTIONAL MOUNTING BRACKET**

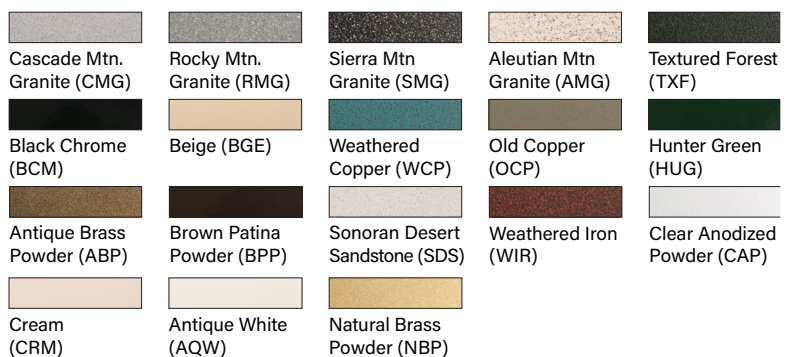


**SIDE VIEW**

**STANDARD FINISHES**



**PREMIUM FINISHES**






[Click Here](#) to view larger, full-color swatches of all available finishes on our website.

DATE:	PROJECT:	TYPE:
-------	----------	-------

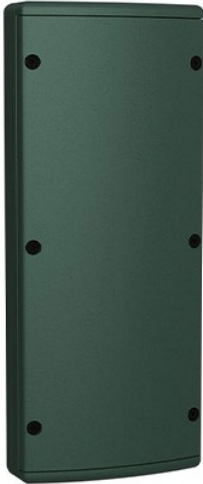
ACCESSORIES (Configure separately)

## SPECIFICATIONS

Electrical	DRIVER (12-27W)	Two (2) 700mA (D12, D20, D27), Class A, constant current drivers. 120-277VAC (nominal) primary input voltage. 50/60Hz. >0.94 Power Factor, 6A in-rush current, 0.25A input current, <20%THD (nominal at 120VAC full load). Output over-voltage, over-current, and short circuit protection with auto recovery. EMC: FCC47CFR Part 15 Class B compliant. Driver wattage must match Fixture wattage. Dimming driver for use with standard incandescent dimmers. 10-100% range.
PHYSICAL	TREE INSTALLATION	Tree Strap mounting system facilitates non-invasive installation. Adjustable nylon strap is mold and mildew resistant and will not hinder tree growth. Stainless steel safety cable maintains UPM mounting when nylon strap is disengaged.
	HOUSING	Copper free, aluminum extrusion with die cast end caps. Surface mounted with flow through back channel to prevent water and debris collection. Machined aluminum cover with countersunk holes for flush hardware installation. Tamper-resistant, captive, black oxide stainless steel mounting screws. Front access for ease of installation and inspection. Two (2) 1/2" NPT female conduit entries per end cap for through wiring.
	INSTALLATION TETHER	Stainless steel cable with integral loop allows cover to temporarily suspend from housing during installation to simplify wire connection and component attachment.
	PATENTED KNOCKOUTS	Four (4) 1/2" NPT, machined aluminum knockouts. High temperature, silicone 'O' Ring for water-tight seal. Patented design allows knockout to be reinserted without compromising seal integrity.
	FINISH	StarGuard, our 15-stage, chromate-free process cleans and conversion coats aluminum components prior to application of Class 'A' TGIC polyester powder coating and is RoHS compliant. Finish to match fixture. (specified separately).
	WARRANTY	5-year limited warranty.
	CERTIFICATION & LISTING	Certified to CAN/CSA/ANSI Standards. UL Listed. NEMA 4X / IP66 Rated Enclosure. RoHs compliant. Made in USA with sustainable processes.
  		

DATE:	PROJECT:	TYPE:
-------	----------	-------

CATALOG NUMBER LOGIC:

**CATALOG NUMBER LOGIC**

Example: PM2DRM - SM - D12INC - SAP - MT

**MATERIAL**

Aluminum

**SERIES**

PM2DRM - Universal Power Module 2 Remote

**MOUNTING**

SM - Surface Mount

**DRIVER TYPE\***

D12INC - (2) 12W Dimming Drivers

D20INC - (2) 20W Dimming Drivers

D27INC - (2) 27W Dimming Drivers

**FINISH (See page 2 for full-color swatches)**

Standard Finishes (BZP, BZW, BLP, BLW, WHP, WHW, SAP, VER)

Premium Finish (ABP, AMG, AQW, BCM, BGE, BPP, CAP, CMG, CRM, HUG, NBP, OCP, RMG, SDS, SMG, TXF, WCP, WIR)

(Also available in RAL Finishes. See submittal SUB-1439-00)

**INPUT VOLTAGE**

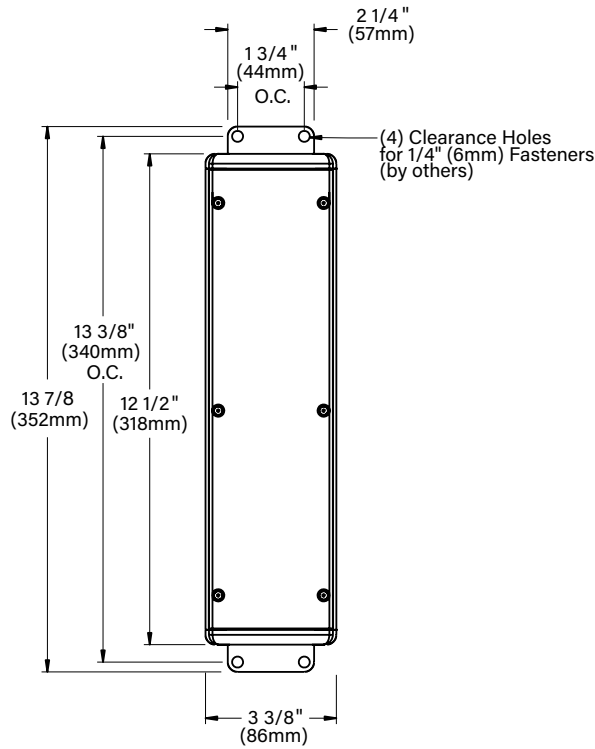
MT - 120-277 VAC

*\*Driver wattage must match fixture wattage.*

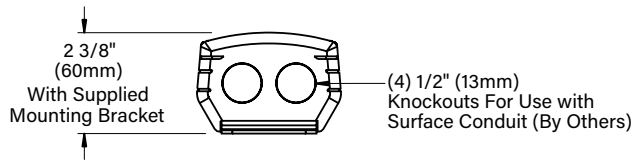
DATE:

PROJECT:

TYPE:



TOP VIEW



SIDE VIEW

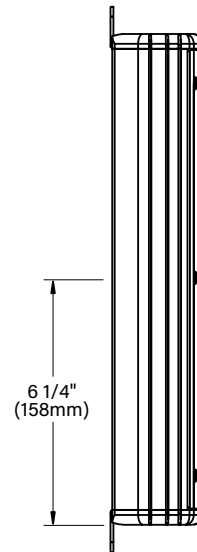
## ⚠ REMOTE WIRING

### LED Driver

Remote driver installations require inter-connected wiring between the LED and driver (by others). Drivers have specific wiring requirements between these components. Driver manufacturers regularly recommend the following wiring details for such installations:

- Do not exceed 50 foot overall wiring distance using 12 gauge copper wire.

**Failure to comply with specific wiring requirements will void product warranty.**

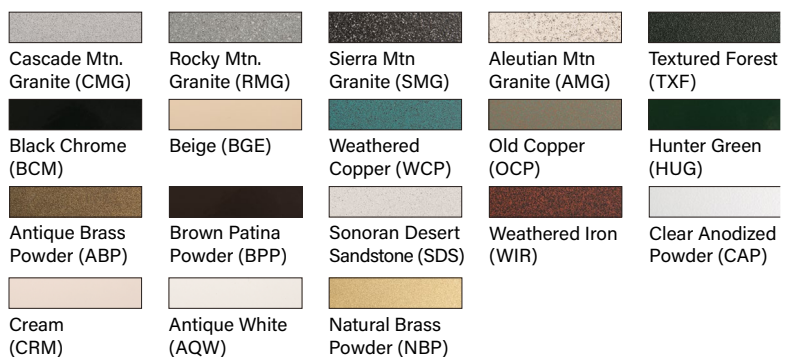


END VIEW

### STANDARD FINISHES



### PREMIUM FINISHES



[Click Here](#) to view larger, full-color swatches of all available finishes on our website.

DATE:	PROJECT:	TYPE:
-------	----------	-------

ACCESSORIES (Configure separately)

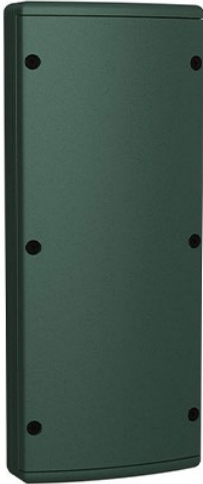
## SPECIFICATIONS

Electrical	DRIVER (12-27W)	Two (2) 700mA (D12, D20, D27), Class A, constant current drivers. 120-277VAC (nominal) primary input voltage. 50/60Hz. >0.94 Power Factor, 6A in-rush current, 0.25A input current, <20%THD (nominal at 120VAC full load). Output over-voltage, over-current, and short circuit protection with auto recovery. EMC: FCC47CFR Part 15 Class B compliant. Driver wattage must match Fixture wattage. Dimming driver for use with standard incandescent dimmers. 10-100% range.
PHYSICAL	SURFACE MOUNT	For use with side entry, surface conduits. Stainless steel mounting brackets provide for direct anchor to architectural surfaces in any orientation.
	HOUSING	Copper free, aluminum extrusion with die cast end caps. Surface mounted with flow through back channel to prevent water and debris collection. Machined aluminum cover with countersunk holes for flush hardware installation. Tamper-resistant, captive, black oxide stainless steel mounting screws. Front access for ease of installation and inspection. Two (2) 1/2" NPT female conduit entries per end cap for through wiring.
	INSTALLATION TETHER	Stainless steel cable with integral loop allows cover to temporarily suspend from housing during installation to simplify wire connection and component attachment.
	PATENTED KNOCKOUTS	Four (4) 1/2" NPT, machined aluminum knockouts. High temperature, silicone 'O' Ring for water-tight seal. Patented design allows knockout to be reinserted without compromising seal integrity.
	FINISH	StarGuard, our 15-stage, chromate-free process cleans and conversion coats aluminum components prior to application of Class 'A' TGIC polyester powder coating and is RoHS compliant. Finish to match fixture. (specified separately).
	WARRANTY	5-year limited warranty.
	CERTIFICATION & LISTING	Certified to CAN/CSA/ANSI Standards. UL Listed. NEMA 4X / IP66 Rated Enclosure. RoHs compliant. Made in USA with sustainable processes.



DATE:	PROJECT:	TYPE:
-------	----------	-------

CATALOG NUMBER LOGIC:



*\*Driver wattage must match fixture wattage.*

**CATALOG NUMBER LOGIC**

Example: PM2DRM - CT - D12INC - SAP - MT - MB

**MATERIAL**

Aluminum

**SERIES**

PM2DRM - Universal Power Module 2 Remote

**MOUNTING**

CR - Round Camlock Canopy (Recessed Junction Box)

CT - Rectangular Camlock Canopy (Recessed Junction Box)

**DRIVER TYPE\***

D12INC - (2) 12W Dimming Drivers

D20INC - (2) 20W Dimming Drivers

D27INC - (2) 27W Dimming Drivers

**FINISH (See page 2 for full-color swatches)**

Standard Finishes (BZP, BZW, BLP, BLW, WHP, WHW, SAP, VER)

Premium Finish (ABP, AMG, AQW, BCM, BGE, BPP, CAP, CMG, CRM, HUG, NBP, OCP, RMG, SDS, SMG, TXF, WCP, WIR)

(Also available in RAL Finishes. See submittal SUB-1439-00)

**INPUT VOLTAGE**

MT - 120-277 VAC

**OPTIONS**

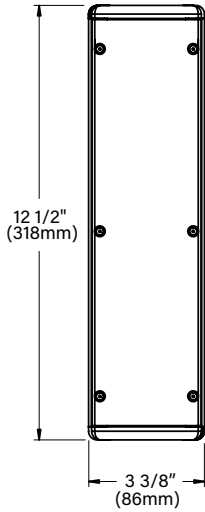
MB - Mounting Brackets



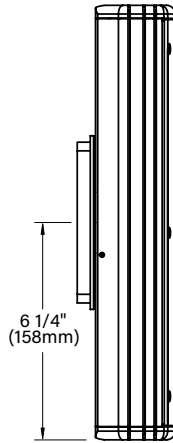
DATE:

PROJECT:

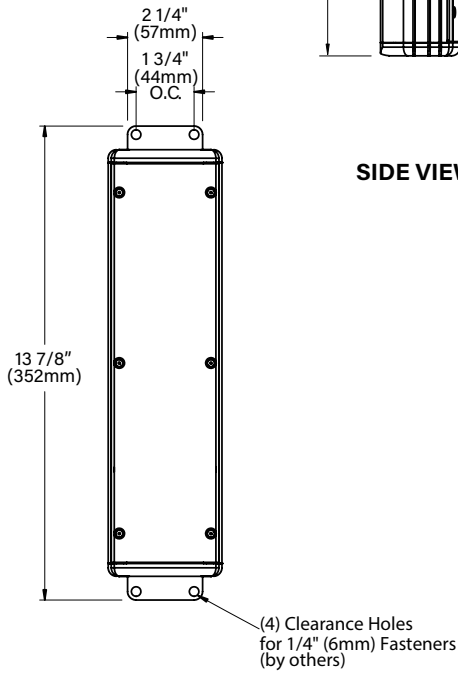
TYPE:



TOP VIEW



SIDE VIEW



OPTIONAL MOUNTING BRACKET

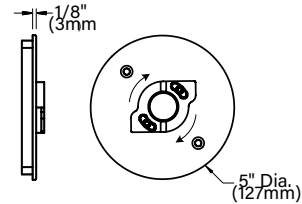
**! REMOTE WIRING**

**LED Driver**

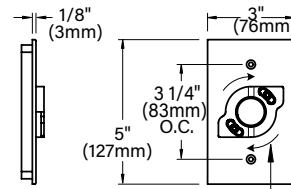
Remote driver installations require inter-connected wiring between the LED and driver (by others). Drivers have specific wiring requirements between these components. Driver manufacturers regularly recommend the following wiring details for such installations:

- Do not exceed 50 foot overall wiring distance using 12 gauge copper wire.

**Failure to comply with specific wiring requirements will void product warranty.**



ROUND CAMLOCK™ CANOPY

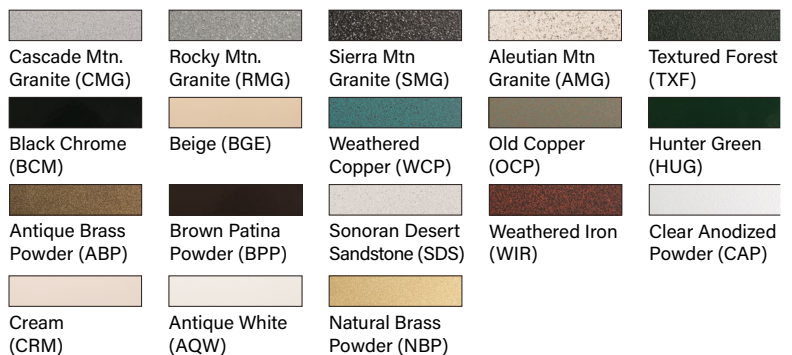


RECTANGULAR CAMLOCK™ CANOPY

**STANDARD FINISHES**



**PREMIUM FINISHES**



[Click Here](#) to view larger, full-color swatches of all available finishes on our website.

DATE:	PROJECT:	TYPE:
-------	----------	-------

ACCESSORIES (Configure separately)

## SPECIFICATIONS

Electrical	DRIVER (12-27W)	Two (2) 700mA (D12, D20, D27), Class A, constant current drivers. 120-277VAC (nominal) primary input voltage. 50/60Hz. >0.94 Power Factor, 6A in-rush current, 0.25A input current, <20%THD (nominal at 120VAC full load). Output over-voltage, over-current, and short circuit protection with auto recovery. EMC: FCC47CFR Part 15 Class B compliant. Driver wattage must match Fixture wattage. Dimming driver for use with standard incandescent dimmers. 10-100% range.
PHYSICAL	ROUND CAMLOCK CANOPY (RECESSED JUNCTION BOX)	5" dia., machined aluminum construction. Includes stainless steel universal mounting ring for use with 4" octagonal junction box. Two (2) tamper-resistant, black oxide stainless steel mounting screws. 1/8" thick HT-805A silicone foam gasket for water-tight seal. Integral Camlock provides additional 30° adjustment for precision alignment of UPM regardless of junction box orientation. Integral wiper seal maintains water-tight integrity between UPM and junction box. Optional stainless steel mounting brackets may be specified to provide additional anchor to architectural surface.
	RECTANGULAR CAMLOCK CANOPY (RECESSED JUNCTION BOX)	Copper free, aluminum extrusion with die cast end caps. Surface mounted with flow through back channel to prevent water and debris collection. Machined aluminum cover with countersunk holes for flush hardware installation. Tamper-resistant, captive, black oxide stainless steel mounting screws. Front access for ease of installation and inspection. Two (2) 1/2" NPT female conduit entries per end cap for through wiring.
	HOUSING	Copper free, aluminum extrusion with die cast end caps. Surface mounted with flow through back channel to prevent water and debris collection. Machined aluminum cover with countersunk holes for flush hardware installation. Tamper-resistant, captive, black oxide stainless steel mounting screws. Front access for ease of installation and inspection. Two (2) 1/2" NPT female conduit entries per end cap for through wiring.
	INSTALLATION TETHER	Stainless steel cable with integral loop allows cover to temporarily suspend from housing during installation to simplify wire connection and component attachment.
	PATENTED KNOCKOUTS	Four (4) 1/2" NPT, machined aluminum knockouts. High temperature, silicone 'O' Ring for water-tight seal. Patented design allows knockout to be reinserted without compromising seal integrity.
	FINISH	StarGuard, our 15-stage, chromate-free process cleans and conversion coats aluminum components prior to application of Class 'A' TGIC polyester powder coating and is RoHS compliant. Finish to match fixture. (specified separately).
	WARRANTY	5-year limited warranty.
CERTIFICATION & LISTING	Certified to CAN/CSA/ANSI Standards. UL Listed. NEMA 4X / IP66 Rated Enclosure. RoHs compliant. Made in USA with sustainable processes.	

