

Standard Installation



Flammable



Warning



High Voltage



Hot Surface

TOOLS NEEDED:	
	1/8" Allen Wrench
	Waterproof Wire Connectors
	Level
	Phillips Screwdriver
	7/8" Hole Saw
	Torque Wrench

INSTRUCTIONS PERTAINING TO A RISK OF FIRE, OR INJURY TO PERSONS IMPORTANT SAFETY INSTRUCTIONS

Lighted fixture is HOT!
WARNING - To reduce the risk of FIRE OR INJURY TO PERSONS:

Turn off/unplug and allow to cool before replacing lamp/LED. Fixture gets HOT quickly! Contact only switch/plug when turning on. Do not touch hot lens, guard, or enclosure. Keep fixture away from materials that may burn. Do not operate the luminaire fitting with a missing or damaged shield. Do not touch the source at any time. Use a soft cloth or gloves. Oil from skin may cause damage.

SAVE THESE INSTRUCTIONS

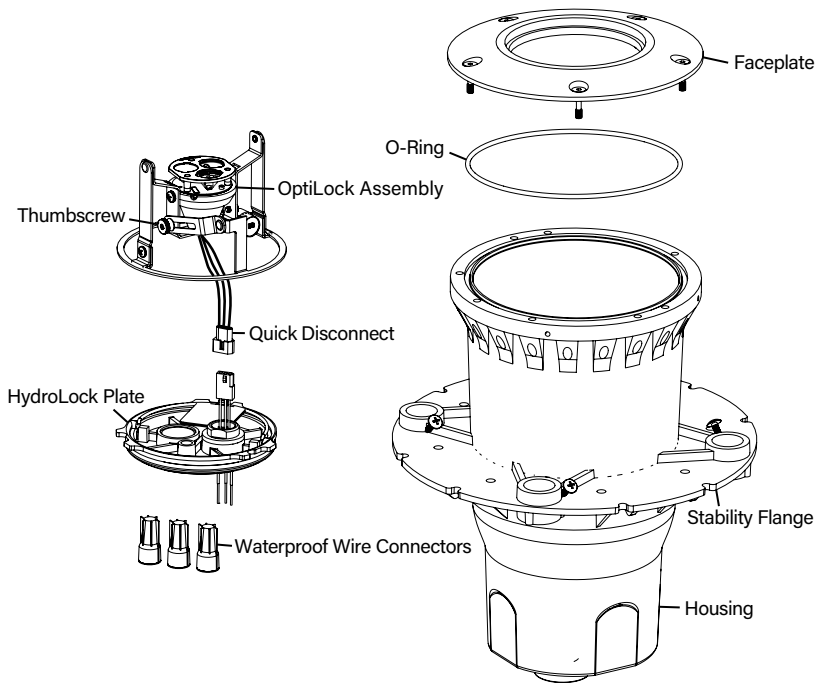
IMPORTANT SAFETY INFORMATION - READ, FOLLOW, AND SAVE ALL SAFETY AND INSTALLATION INSTRUCTIONS

- Product must be installed by a qualified person in a manner consistent with its intended use and in compliance with the National Electrical Code, Canadian Electrical Code, and all Local and Provincial Codes.
- Follow product label information and instructions.
- Qualified Personnel with appropriate personal protective equipment must perform all servicing of this product.
- Before wiring to power supply and during servicing, turn off and lock out power at fuse or circuit breaker before service.
- The use of accessory equipment not recommended by the manufacturer or installed contrary to instructions may cause an unsafe condition. The use of damaged components may cause an unsafe condition and void product warranty.
- Do not block light emanating from product in whole or part, as this may cause an unsafe condition.
- Never operate the fixture with missing or damaged lens. Lens must be cleaned on regular basis.
- Entire fixture may become extremely hot. Do not touch hot lens or fixture body.
- Replace LED assembly only with correct wattage and type of power supply appropriate for LED assembly.
- All gaskets, o-rings and sealing surfaces must be kept clean during installation and service; failure to do this may cause an unsafe condition and void product warranty.

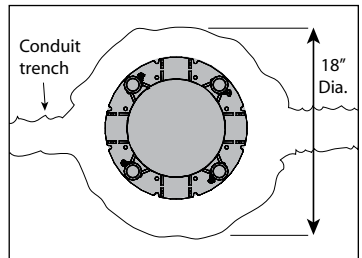
IMPORTANT LISTINGS AND CERTIFICATIONS

- Suitable for wet locations • Suitable for recessed in ground locations

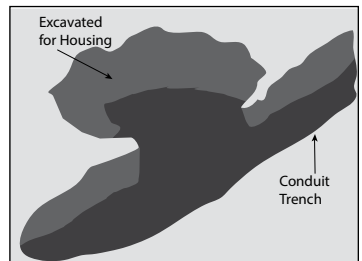
Proper soil preparation is recommended before installation. See the DIG-IT guide at www.bklighting.com/collaterals/install/digit.pdf for more information.



Soil Prep



- Determine Soil Type by referencing DIG-IT Guide.
- Dig hole 18" wide and 20" deep.



- Prep soil according to DIG-IT Guide.

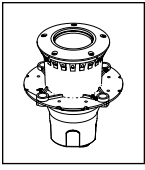
IMPORTANT SAFETY INFORMATION - READ, FOLLOW, AND SAVE THESE INSTALLATION INSTRUCTIONS

B-K LIGHTING

40429 Brickyard Drive • Madera, CA 93636 • USA
 559.438.5800 • FAX 559.438.5900
www.bklighting.com • info@bklighting.com

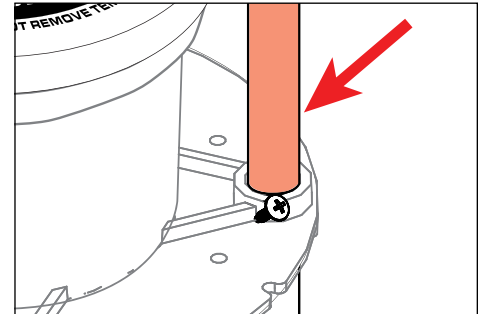
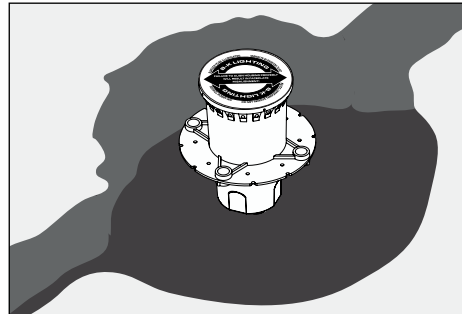
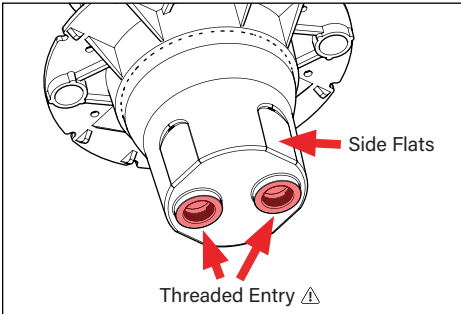
RELEASE DATE
 08/09/2023

REFERENCE NUMBER
 INS-2376-00



Standard Installation

Housing Installation



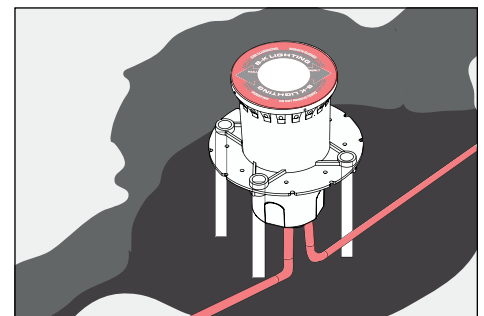
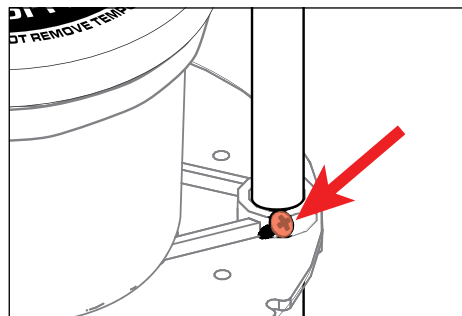
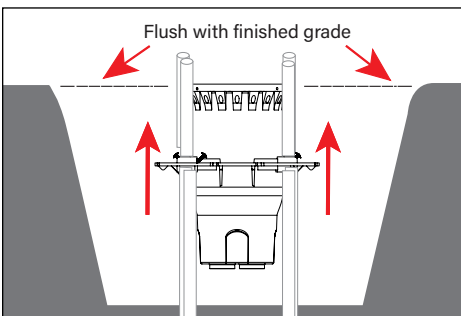
1. Connect branch conduit connectors (not included) to the junction box using either the threaded conduit entries on the bottom of the junction box or through holes drilled into the sides of the junction box.

2. Place housing in hole. Align junction box in the path of the conduit trench.

3. Insert four (4) pieces of 1/2" EMT conduit through the stability flange. Hammer into substrate until secure.

⚠️ Recommend 7/8" drill bit for side installation.

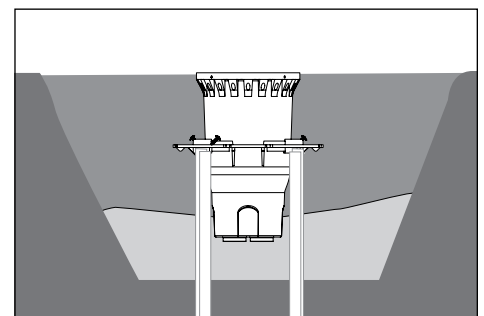
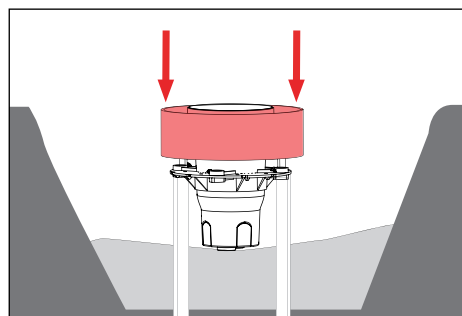
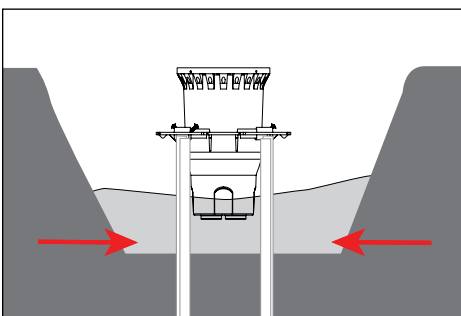
⚠️ Leave sufficient clearance to elevate housing to finished grade.



4. Raise housing on EMT so housing is flush with finished grade. Use a level to aid in housing installation.

5. When housing is level, tighten screws on stability flange to secure housing to EMT. Remove excess EMT as needed.

6. Pull primary branch circuit wiring into junction box.



7. Per DIG-IT Guide, backfill the gap between the bottom of housing and bottom of hole with sand for drainage.

OPTIONAL GROUT MASK INSTALLATION (IF ORDERED)

7. Fill partway, then place grout mask around housing, centered at faceplate. Insert stakes through stability flange. Top of grout mask should be flush with grade.

8. **For soil installation:** Fill and tamp soil to the appropriate height leaving room for sod, pavers, etc. to be level with the top of the temporary cover.

⚠️ Soil installation is not drive-over rated.

**IMPORTANT SAFETY INFORMATION LISTED ON REVERSE
READ, FOLLOW, AND SAVE ALL SAFETY AND INSTALLATION INSTRUCTIONS**

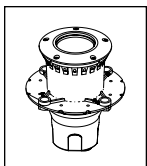


B-K LIGHTING

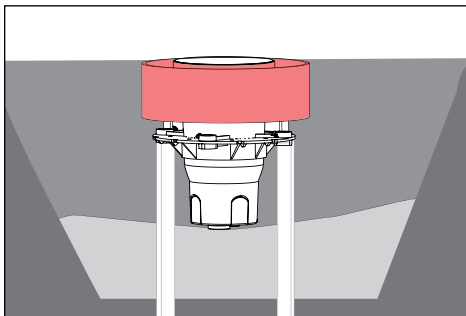
40429 Brickyard Drive • Madera, CA 93636 • USA
559.438.5800 • FAX 559.438.5900
www.bklighting.com • info@bklighting.com

RELEASE DATE
08/09/2023

REFERENCE NUMBER
INS-2376-00



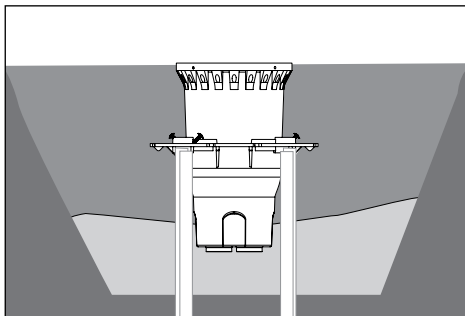
Standard Installation



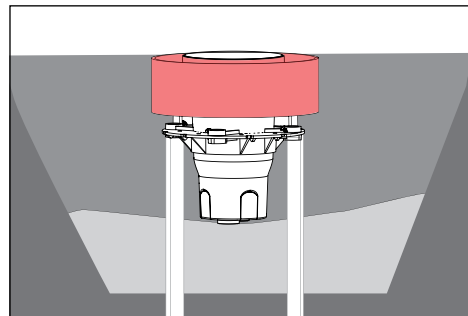
OPTIONAL GROUT MASK INSTALLATION (IF ORDERED)

8. **For soil installation:** Fill and tamp soil to the appropriate height leaving room for sod, pavers, etc. to be level with the top of the temporary cover.

⚠ **Soil installation is not drive-over rated.**



9. **For concrete installation:** Fill the hole around the fixture housing to 12" below the finished grade with clean fill dirt and tamp carefully to prevent settling of fixture. Pour concrete and finish as required flush with the top surface of the temporary cover.



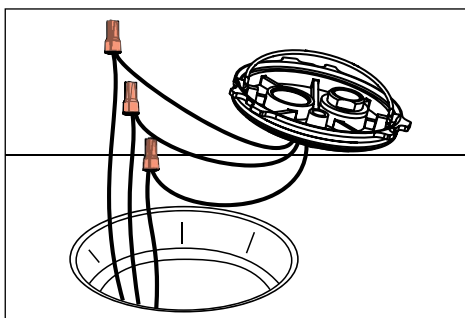
OPTIONAL GROUT MASK INSTALLATION (IF ORDERED)

9. **For concrete installation:** Fill the hole around the fixture housing to 12" below the finished grade with clean fill dirt and tamp carefully to prevent settling of fixture. Pour concrete and finish as required flush with the top surface of the grout mask.

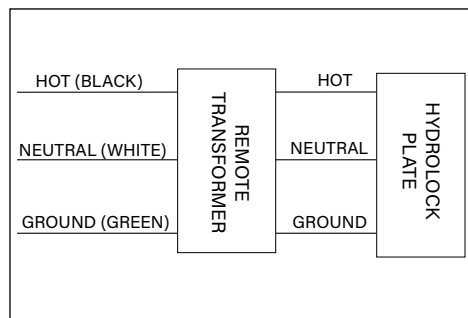
Installation



1. Remove temporary cover.

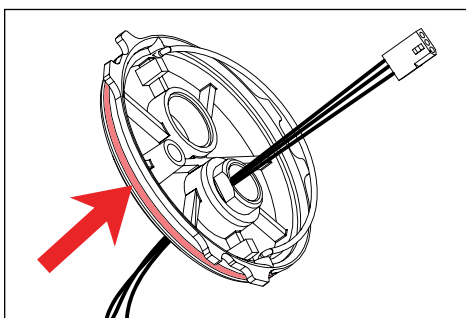


2. Make watertight connections using waterproof wire connectors (included) to leads on the bottom of Patented HydroLock Barrier Plate Assembly. See wiring diagram.

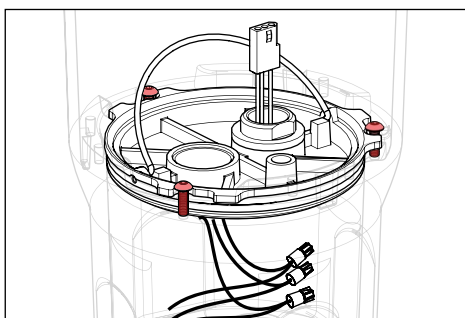


WIRING DIAGRAM

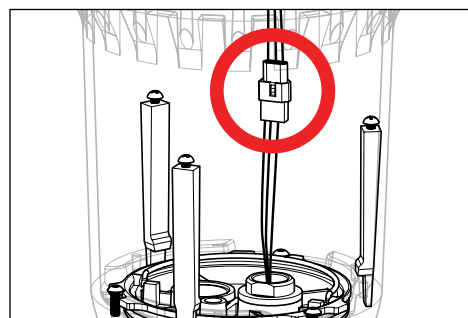
⚠ **LED - For use with 12VAC LED remote transformer or magnetic transformers only. B-K Lighting cannot guarantee performance with third party manufacturers' transformers.**



3. Wipe inside of housing where HydroLock plate will sit clean of debris before inserting patented HydroLock plate on to junction box. Align HydroLock plate with pins in housing and seat it firmly in place.



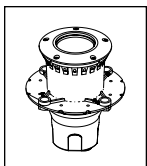
4. Turn HydroLock Barrier Plate clockwise 1/4" to lock.
⚠ **Patented HydroLock Barrier Plate must be completely seated to ensure proper seal or water may intrude. This step must be done as stated or you will void your warranty.**



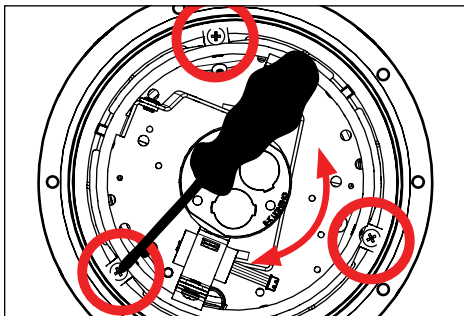
5. Connect OptiLock assembly to Patented HydroLock Barrier plate with quick disconnect.

**IMPORTANT SAFETY INFORMATION LISTED ON REVERSE
READ, FOLLOW, AND SAVE ALL SAFETY AND INSTALLATION INSTRUCTIONS**

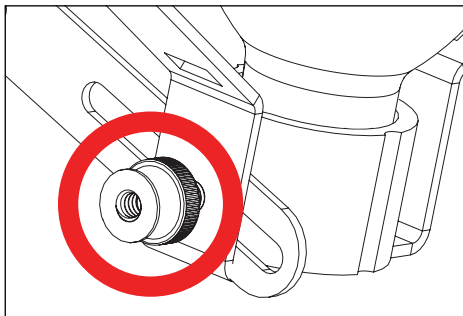




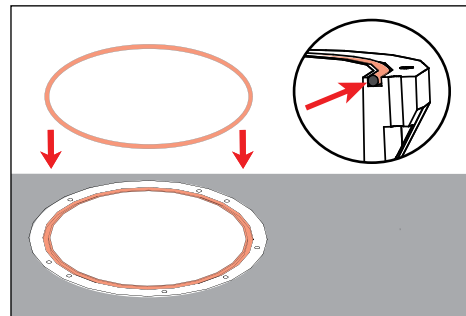
Standard Installation



6. Place OptiLock in CO2 housing and align keyhole notch under one of three (3) #8 screw heads. Rotate horizontally to desired aiming position, then tighten two (2) #8 phillips screws using phillips screwdriver.

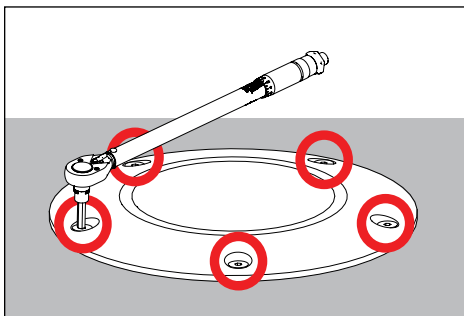


7. Aim vertically by turning the thumbscrew on OptiLock assembly.



8. Remove any dirt or debris in o-ring groove near top of housing. Place o-ring inside of groove.

⚠ Failure to clean groove of debris will cause fixture to fail and void product warranty.

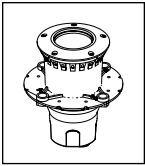


9. Install faceplate using a 1/8" allen wrench and hand-tighten the faceplate screws in a star pattern to 30 in-lbs. min.

⚠ Do not use a power tool to install screws. Do not exceed 40 in-lbs.

**IMPORTANT SAFETY INFORMATION LISTED ON REVERSE
READ, FOLLOW, AND SAVE ALL SAFETY AND INSTALLATION INSTRUCTIONS**





HP2/CO2 LED

Relamping and Optic Replacement



Flammable



Warning



High Voltage

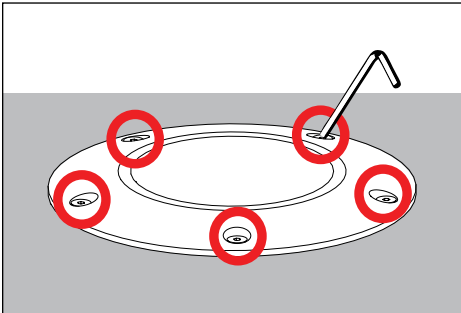


Hot Surface

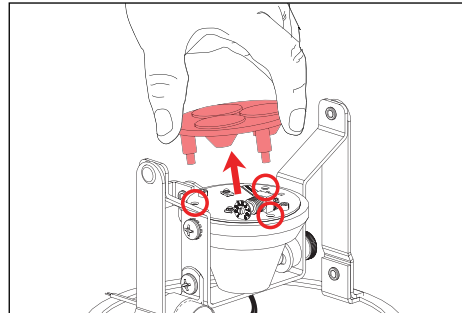
TOOLS NEEDED:

- 1/8" & 5/64" Allen Wrench
- Phillips Screwdriver
- Small Flat Head Screwdriver
- Torque Wrench

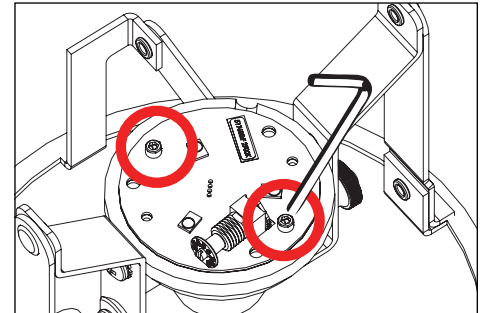
Relamping and/or Optic Replacement if Required for LED



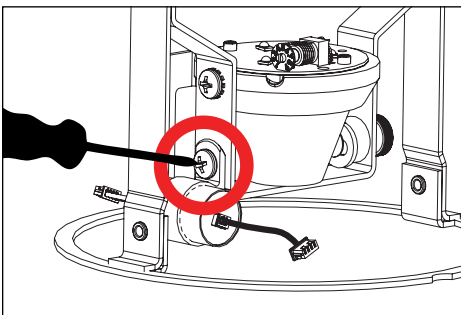
1. Remove faceplate using a 1/8" allen wrench.



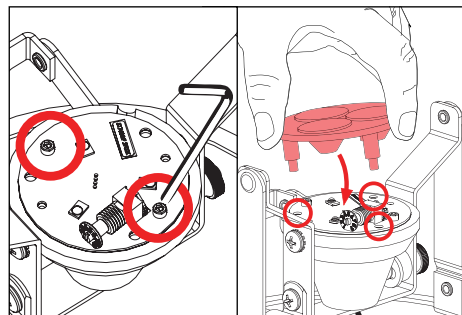
2. Space three fingers evenly around the optic and gently rock optic to remove.



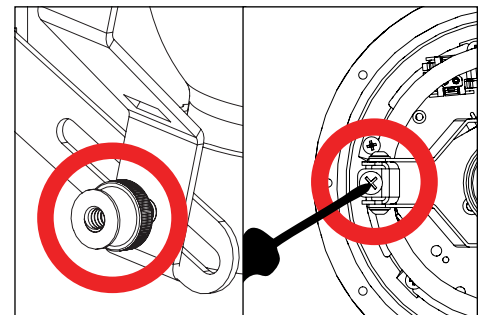
3. Use a 5/64" allen wrench to remove two (2) #2-56 screws on LED board. Grasp LED board gently and expose quick disconnect. Disengage LED board from driver assembly.



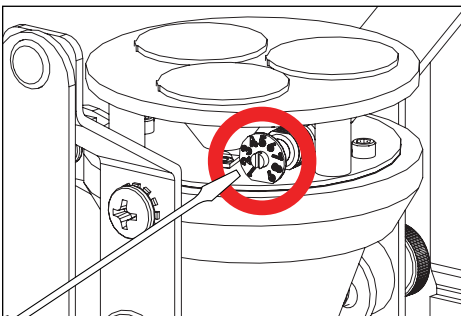
4. Use phillips screwdriver to loosen #8-32 phillips screw on driver bracket on OptiLock. Disconnect driver from fixture via quick disconnect. Replace old driver. Place new driver in bracket, then tighten #8-32 phillips screw to secure new driver to OptiLock. Reconnect new replacement driver to fixture and to LED board via quick disconnects.



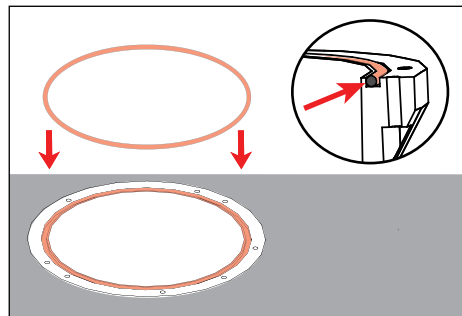
5. Secure LED board to heatsink by tightening two (2) #2-56 screws on LED board using a 5/64" allen wrench. Carefully snap optics back into tabs on LED board.



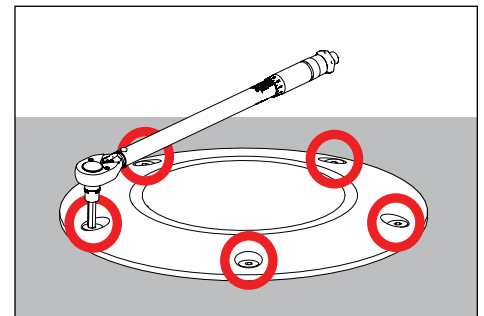
6. **If OptiLock Has Thumbscrew Aim:** Aim vertically by turning the thumbscrew on OptiLock assembly.
7. **If OptiLock Has Tilt Assembly Aim:** Aim vertically by turning the #10 phillips head screw on OptiLock assembly with phillips screwdriver.



8. With flat head screw driver rotate Adjust-e-Lume dial to desired lumen output.



9. Remove any dirt or debris in o-ring groove near top of housing. Place o-ring inside of groove. Clean lens if needed.



10. Install faceplate using a 1/8" allen wrench and hand-tighten the faceplate screws in a star pattern to 30 in-lbs. min.

⚠ Failure to clean groove of debris will cause fixture to fail and void product warranty.

⚠ Do not use a power tool to install screws. Do not exceed 40 in-lbs.

IMPORTANT SAFETY INFORMATION - READ, FOLLOW, AND SAVE THESE INSTALLATION INSTRUCTIONS

B-K LIGHTING

40429 Brickyard Drive • Madera, CA 93636 • USA
559.438.5800 • FAX 559.438.5900
www.bklighting.com • info@bklighting.com

RELEASE DATE
08/09/2023

REFERENCE NUMBER
INS000012

THIS DOCUMENT CONTAINS PROPRIETARY INFORMATION OF B-K LIGHTING, INC. AND ITS RECEIPT OR POSSESSION DOES NOT CONVEY ANY RIGHTS TO REPRODUCE, DISCLOSE ITS CONTENTS, OR TO MANUFACTURE, USE OR SELL ANYTHING IT MAY DESCRIBE. REPRODUCTION, DISCLOSURE OR USE WITHOUT SPECIFIC WRITTEN AUTHORIZATION OF B-K LIGHTING, INC. IS STRICTLY FORBIDDEN.