

Standard Installation



Flammable



Warning



High Voltage



Hot Surface

TOOLS NEEDED:

- 1/8", 3/16", & 0.050" Allen Wrench
- Waterproof Wire Connectors
- Phillips Screwdriver

INSTRUCTIONS PERTAINING TO A RISK OF FIRE, OR INJURY TO PERSONS IMPORTANT SAFETY INSTRUCTIONS

Lighted fixture is HOT!

WARNING - To reduce the risk of FIRE OR INJURY TO PERSONS:

Turn off/unplug and allow to cool before replacing lamp/LED. Fixture gets HOT quickly! Contact only switch/plug when turning on. Do not touch hot lens, guard, or enclosure. Keep fixture away from materials that may burn. Do not operate the luminaire fitting with a missing or damaged shield. Do not touch the source at any time. Use a soft cloth or gloves. Oil from skin may cause damage.

SAVE THESE INSTRUCTIONS

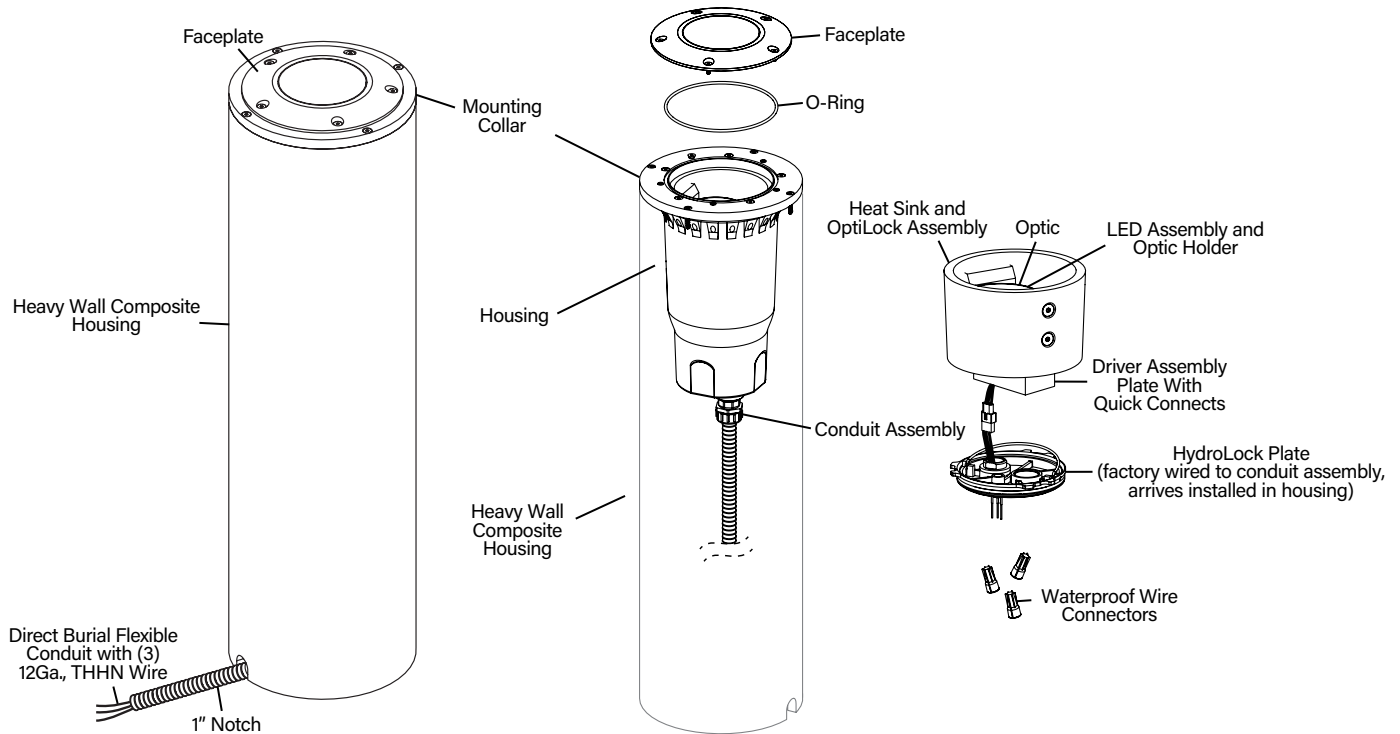
IMPORTANT SAFETY INFORMATION - READ, FOLLOW, AND SAVE ALL SAFETY AND INSTALLATION INSTRUCTIONS

- Product must be installed by a qualified person in a manner consistent with its intended use and in compliance with the National Electrical Code, Canadian Electrical Code, and all Local and Provincial Codes.
- Follow product label information and instructions.
- Qualified Personnel with appropriate personal protective equipment must perform all servicing of this product.
- Before wiring to power supply and during servicing, turn off and lock out power at fuse or circuit breaker before service.
- The use of accessory equipment not recommended by the manufacturer or installed contrary to instructions may cause an unsafe condition. The use of damaged components may cause an unsafe condition and void product warranty.
- Do not block light emanating from product in whole or part, as this may cause an unsafe condition.
- Never operate the fixture with missing or damaged lens. Lens must be cleaned on regular basis.
- Entire fixture may become extremely hot. Do not touch hot lens or fixture body.
- Replace LED assembly only with correct wattage and type of power supply appropriate for LED assembly.
- All gaskets, o-rings and sealing surfaces must be kept clean during installation and service; failure to do this may cause an unsafe condition and void product warranty.

IMPORTANT LISTINGS AND CERTIFICATIONS

- Suitable for wet locations

Proper soil preparation is recommended before installation. See the DIG-IT guide at www.bklighting.com/collaterals/install/digit.pdf for more information.



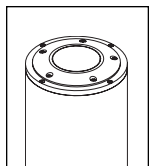
IMPORTANT SAFETY INFORMATION - READ, FOLLOW, AND SAVE THESE INSTALLATION INSTRUCTIONS

B-K LIGHTING

40429 Brickyard Drive • Madera, CA 93636 • USA
 559.438.5800 • FAX 559.438.5900
www.bklighting.com • info@bklighting.com

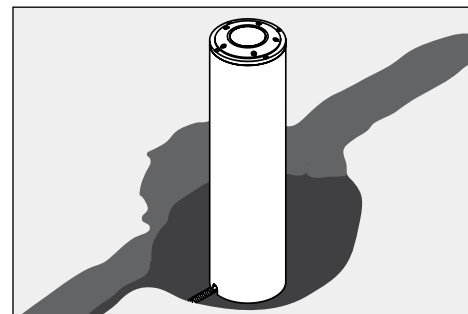
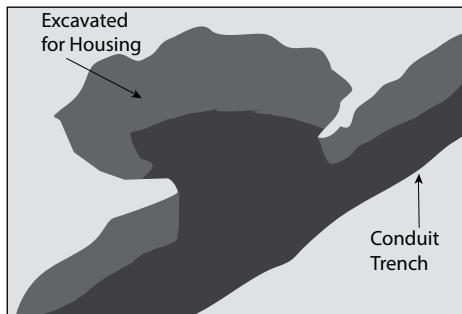
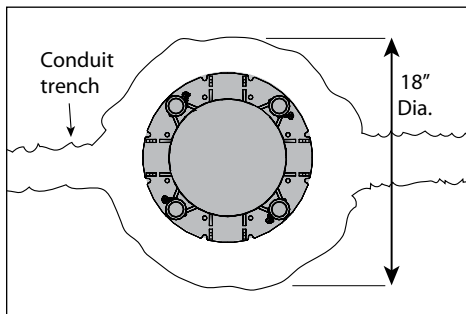
RELEASE DATE
 08/07/2023

REFERENCE NUMBER
 INS-2816-00

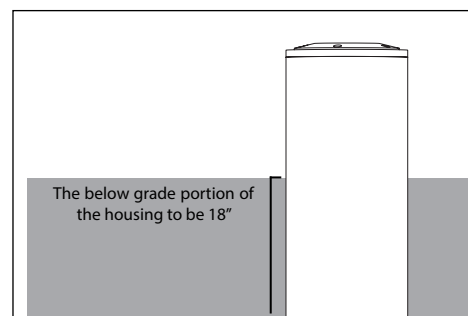
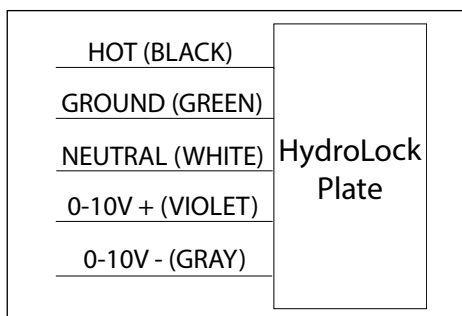
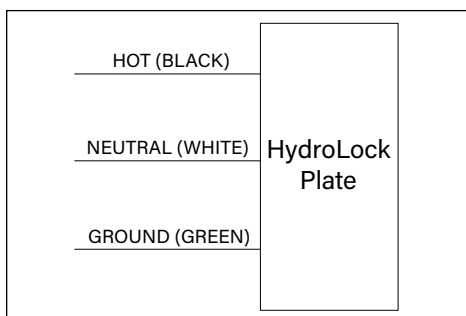


Standard Installation

Installation



- A. Determine Soil Type by referencing DIG-IT Guide.
- B. Dig hole 18" wide and deep enough for faceplate height above grade as per lighting plan.
- C. Prep soil according to DIG-IT Guide.
- D. Place composite housing in hole. Align flexible conduit through 1" notch in bottom of composite housing. Pull conduit to splice location.

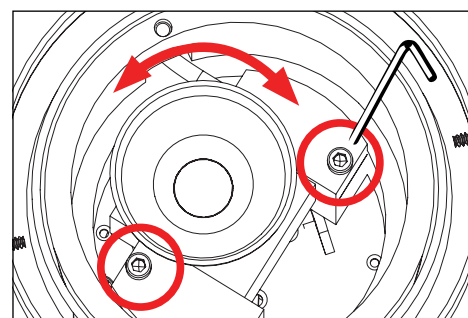
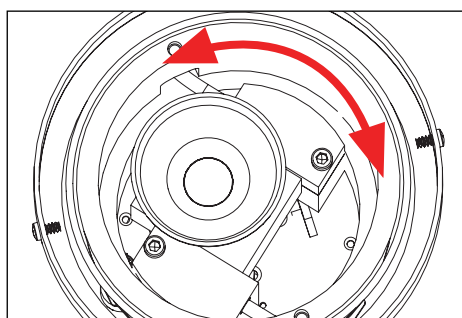
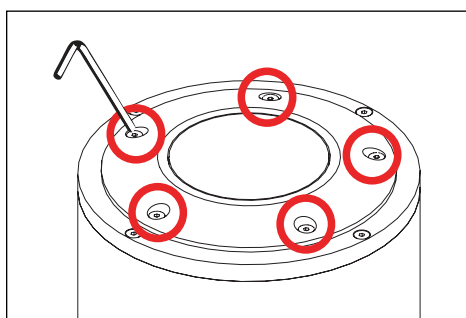


WIRING DIAGRAM - NON DIMMING

WIRING DIAGRAM - 0-10V DIMMING

- E. Make watertight connections using provided waterproof wire nuts. See wiring diagram.
- F. Make watertight connections using provided waterproof wire nuts. See wiring diagram.
- G. For soil installation, fill and tamp soil to the appropriate height. Fixture is above grade specified by lighting plan.

Aiming Adjustment



1. Remove faceplate using a 1/8" allen wrench.
2. To aim OptiLock horizontally: lift OptiLock from resting position, and rotate to desired angle. Set down on pins provided in housing. OptiLock is gravity held in place.
3. To aim OptiLock vertically: loosen two (2) 1/4-20 screws using a 3/16" allen wrench. Tilt swivel arm with LED and optic in desired aiming direction. Tighten two (2) 1/4-20 screws with a 3/16" allen wrench to secure position.

**IMPORTANT SAFETY INFORMATION LISTED ON REVERSE
READ, FOLLOW, AND SAVE ALL SAFETY AND INSTALLATION INSTRUCTIONS**

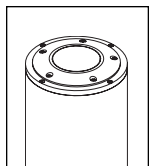


B-K LIGHTING

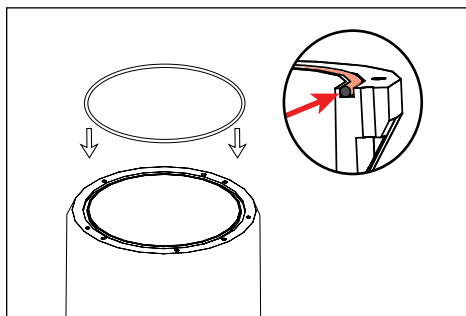
40429 Brickyard Drive • Madera, CA 93636 • USA
559.438.5800 • FAX 559.438.5900
www.bklighting.com • info@bklighting.com

RELEASE DATE
08/07/2023

REFERENCE NUMBER
INS-2816-00

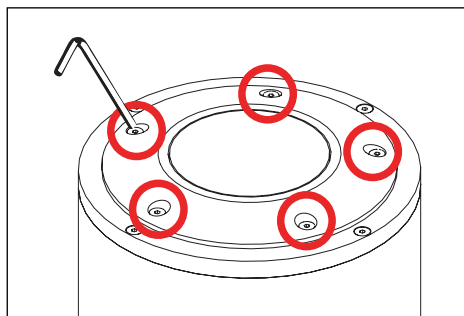


Standard Installation



4. Remove any dirt or debris in o-ring groove near top of housing. Place o-ring inside of groove.

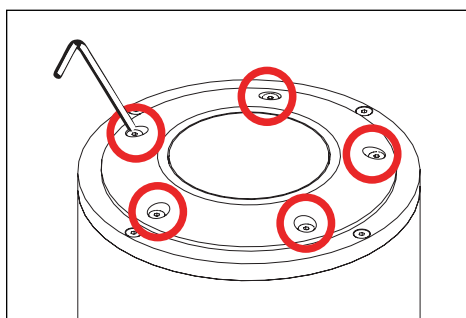
⚠ Failure to clean groove of debris will cause fixture to fail and void product warranty.



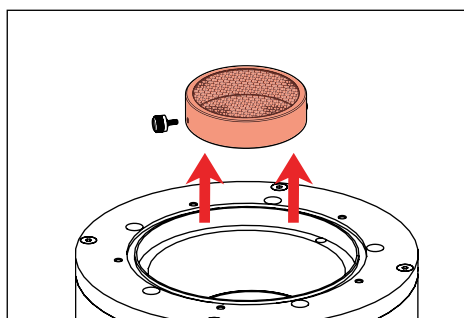
5. Install faceplate using a 1/8" allen wrench and hand-tighten the faceplate screws in a star pattern to 30" lbs. min.

⚠ Do not use a power tool to install screws. Do not exceed 40" lbs.

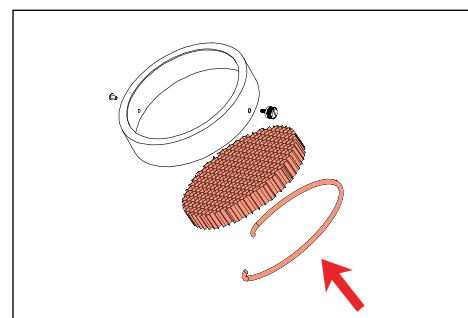
Accessory Holder



1. Remove faceplate using a 1/8" allen wrench.

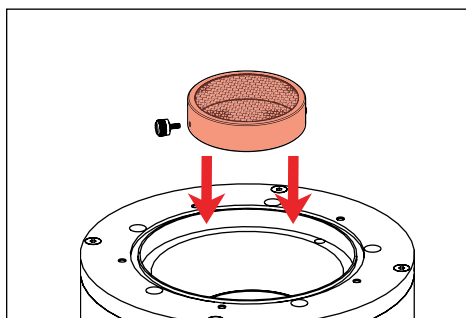


2. Accessory sits in ring that rests on optic. Loosen the thumbscrew before lifting the accessory holder to change accessory.

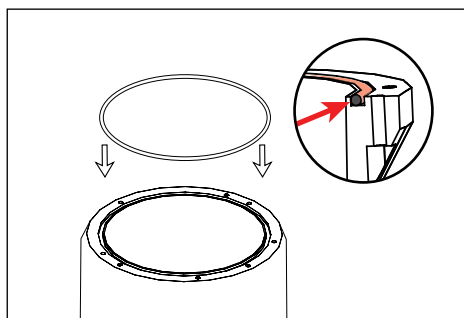


3. To change or add accessory, pinch retaining ring to remove from accessory holder. Place accessory in holder, with honeycomb baffle furthest from LED. Pinch retaining ring and slide into holder, then release. Retaining ring is tension held in place.

⚠ Smooth side of accessory lens (if used) faces LED.

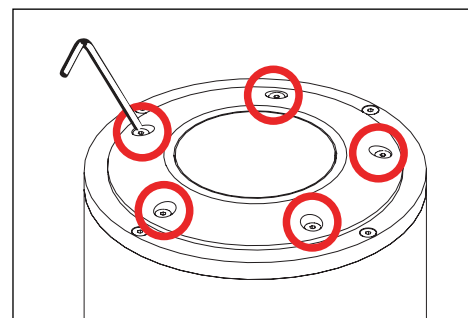


4. Place accessory holder over optic, honeycomb baffle (if used) furthest from LED. Retaining ring is closest to LED. Place it back in place then tight the thumbscrew for the accessory to be held in place.



5. Remove any dirt or debris in o-ring groove near top of housing. Place o-ring inside of groove.

⚠ Failure to clean groove of debris will cause fixture to fail and void product warranty.

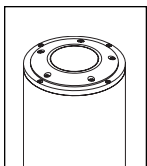


6. Install faceplate using a 1/8" allen wrench and hand-tighten the faceplate screws in a star pattern to 30" lbs. min.

⚠ Do not use a power tool to install screws. Do not exceed 40" lbs.

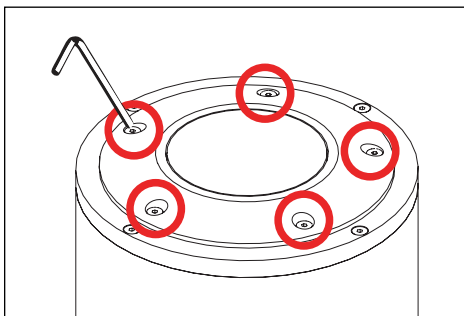
**IMPORTANT SAFETY INFORMATION LISTED ON REVERSE
READ, FOLLOW, AND SAVE ALL SAFETY AND INSTALLATION INSTRUCTIONS**



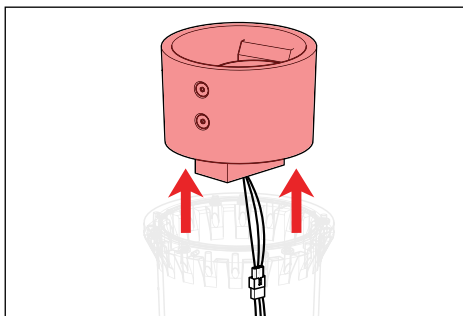


Standard Installation

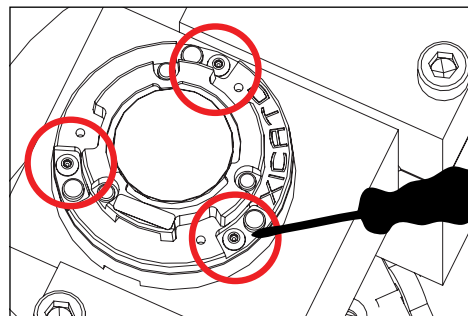
Relamping and Optic Adjustment



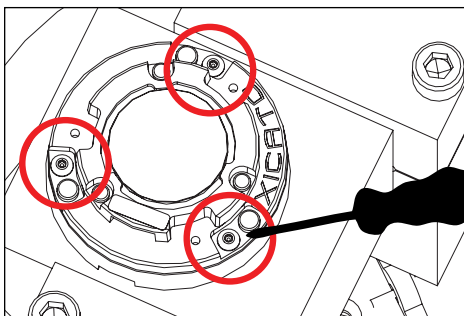
1. Remove faceplate using a 1/8" allen wrench.



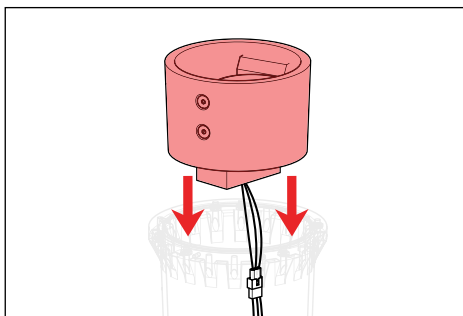
2. Turn, then lift OptiLock from housing. Disconnect OptiLock assembly from driver assembly using quick disconnect.



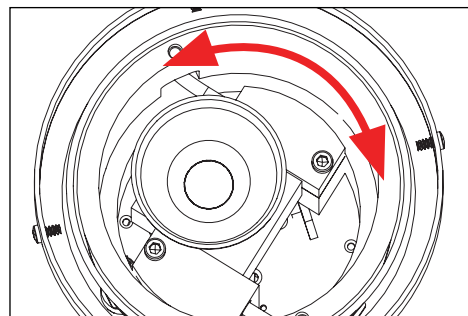
3. Remove optic by turning to the left and lifting up. Remove the optic holder from the LED board by loosening three (3) optic holder fasteners using a 0.050" allen wrench.



4. Use a 0.050" allen wrench to loosen three (3) #2-56 screws on LED component. Reverse install new LED component. Ensure LED component is firmly seated on heatsink. **LED component can only fit in one direction.**

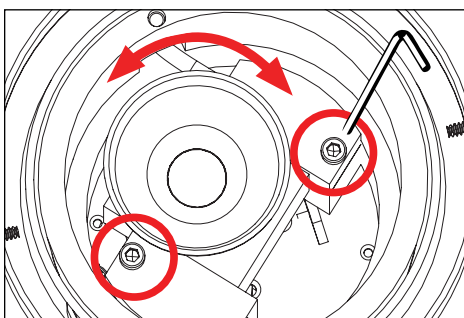


6. Attach OptiLock assembly to installed driver assembly with quick disconnect. Place OptiLock assembly in housing, resting the OptiLock on the pins provided inside the housing. Gravity will hold OptiLock in place.

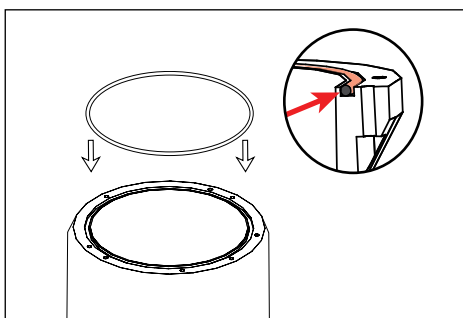


7. To aim OptiLock horizontally: lift OptiLock from resting position, and rotate to desired angle. Set down on pins provided in housing. OptiLock is gravity held in place.

5. Install optic holder with three (3) optic holder fasteners using a 0.050" allen wrench. Reverse install optic.

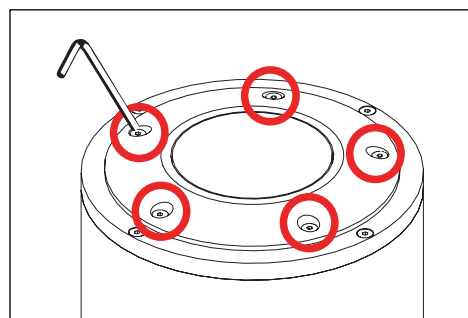


8. To aim OptiLock vertically: loosen two (2) 1/4-20 screws using a 3/16" allen wrench. Tilt swivel arm with LED and optic in desired aiming direction. Tighten two (2) 1/4-20 screws with a 3/16" allen wrench to secure position.



9. Remove any dirt or debris in o-ring groove near top of housing. Place o-ring inside of groove.

⚠ Failure to clean groove of debris will cause fixture to fail and void product warranty.

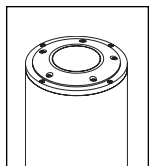


10. Install faceplate using a 1/8" allen wrench and hand-tighten the faceplate screws in a star pattern to 30" lbs. min.

⚠ Do not use a power tool to install screws. Do not exceed 40" lbs.

**IMPORTANT SAFETY INFORMATION LISTED ON REVERSE
READ, FOLLOW, AND SAVE ALL SAFETY AND INSTALLATION INSTRUCTIONS**





Standard Installation



Flammable



Warning






High Voltage

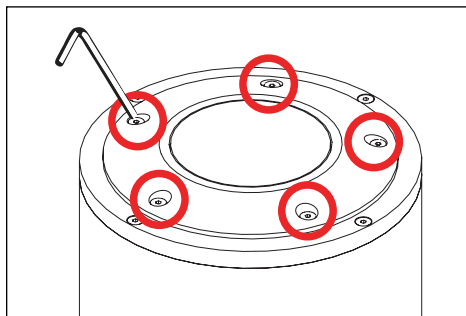


Hot Surface

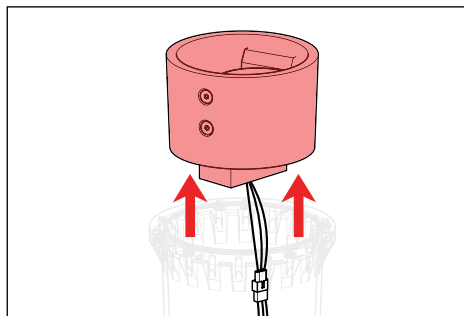
TOOLS NEEDED:

-  1/8" 3/16" & 0.050" Allen Wrench
-  Phillips Screwdriver
-  Small Pick Tool

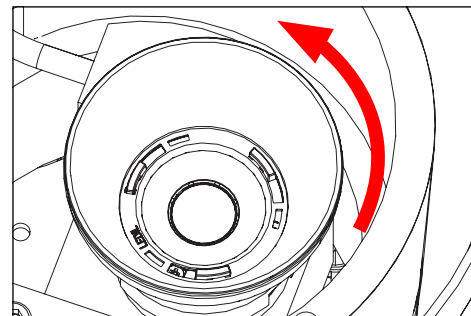
LED Module Replacement



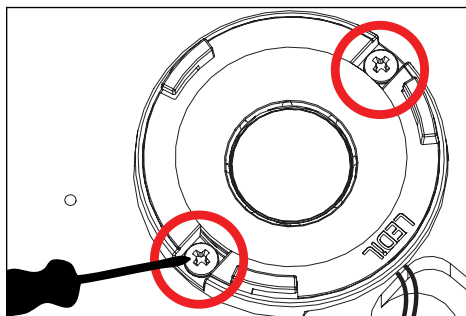
1. Remove faceplate using a 1/8" allen wrench. Remove optional accessory holder (if applicable).



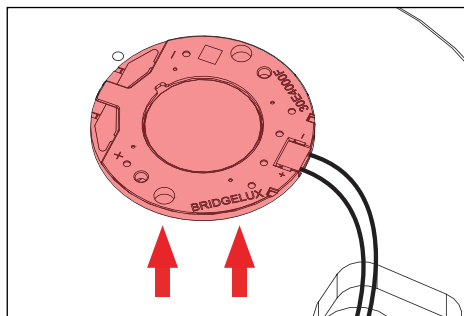
2. Turn, then lift OptiLock from housing. Disconnect OptiLock® assembly from driver assembly using quick disconnect.



3. Remove optic by turning to the left to unlock optic from optic holder tabs, and lift up.

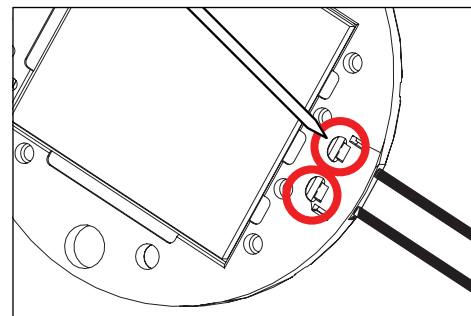


4. Use small Phillips screwdriver to remove two (2) #4-40 fasteners on optic holder, then remove optic holder to expose LED module.



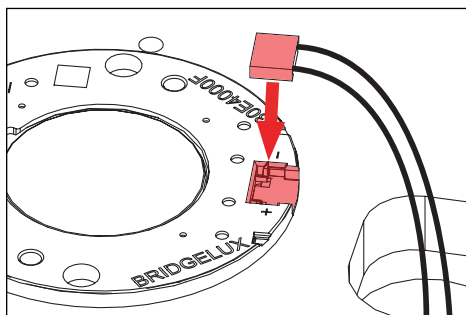
5. Carefully remove LED module from heatsink.

Do not pull on connector or wiring. Handle with care.



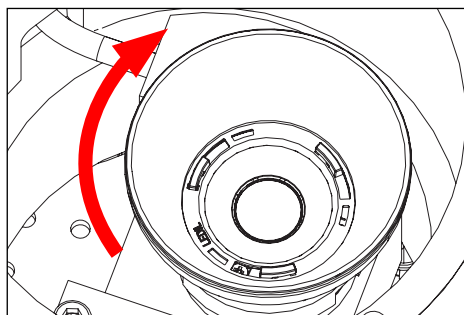
6. Use small pick tool to push connector off LED board through two small slots behind connector. Once loose, lift connector upwards and off board.

Do not pull on connector or wiring. Handle with care.

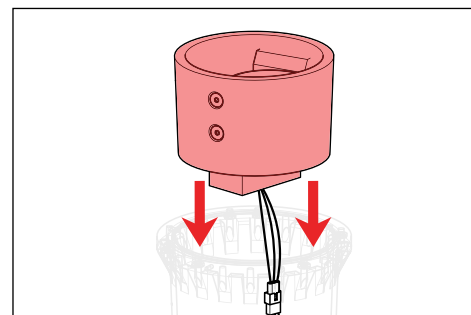


7. Place new LED module onto heatsink. Press connector straight downwards into slot on module to snap into place.

Connector will only fit in one direction.



8. Reverse install optic holder, and then optic.



9. Attach OptiLock assembly to installed driver assembly with quick disconnect. Place OptiLock assembly in housing, resting the OptiLock on the pins provided inside the housing. Gravity will hold OptiLock in place.

**IMPORTANT SAFETY INFORMATION LISTED ON REVERSE
READ, FOLLOW, AND SAVE ALL SAFETY AND INSTALLATION INSTRUCTIONS**



B-K LIGHTING

40429 Brickyard Drive • Madera, CA 93636 • USA
559.438.5800 • FAX 559.438.5900
www.bklighting.com • info@bklighting.com

RELEASE DATE
08/07/2023

REFERENCE NUMBER
INS-2816-00