

Standard Installation

K2 - COLOR TUNING

INSPIRATION CONTROL SYSTEM



Flammable



Warning



Low Voltage



Hot Surface

TOOLS NEEDED:



Waterproof Wire Connectors



iOS Device with Inspiration Control App

INSTRUCTIONS PERTAINING TO A RISK OF FIRE, OR INJURY TO PERSONS IMPORTANT SAFETY INSTRUCTIONS

Lighted fixture is HOT!

WARNING - To reduce the risk of FIRE OR INJURY TO PERSONS:

Turn off/unplug and allow to cool before replacing lamp/LED. Fixture gets HOT quickly! Contact only switch/plug when turning on. Do not touch hot lens, guard, or enclosure. Keep fixture away from materials that may burn. Do not operate the luminaire fitting with a missing or damaged shield. Do not touch the source at any time. Use a soft cloth or gloves. Oil from skin may cause damage.

SAVE THESE INSTRUCTIONS

IMPORTANT SAFETY INFORMATION - READ, FOLLOW, AND SAVE ALL SAFETY AND INSTALLATION INSTRUCTIONS

- Product must be installed by a qualified person in a manner consistent with its intended use and in compliance with the National Electrical Code, Canadian Electrical Code, and all Local and Provincial Codes.
- Follow product label information and instructions.
- Qualified Personnel with appropriate personal protective equipment must perform all servicing of this product.
- Before wiring to power supply and during servicing, turn off and lock out power at fuse or circuit breaker before service.
- The use of accessory equipment not recommended by the manufacturer or installed contrary to instructions may cause an unsafe condition. The use of damaged components may cause an unsafe condition and void product warranty.
- Do not block light emanating from product in whole or part, as this may cause an unsafe condition.
- Never operate the fixture with missing or damaged lens. Lens must be cleaned on regular basis.
- Entire fixture may become extremely hot. Do not touch hot lens or fixture body.
- Replace LED assembly only with correct wattage and type of power supply appropriate for LED assembly.
- All gaskets, o-rings and sealing surfaces must be kept clean during installation and service; failure to do this may cause an unsafe condition and void product warranty.

IMPORTANT LISTINGS AND CERTIFICATIONS

- Suitable for wet locations • Additionally suitable for mounting within 4 ft. of the ground

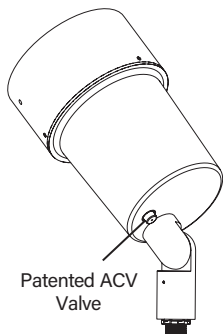
⚠ Device Requirements

⚠ iOS device with installed Inspiration Control System App is required for Bluetooth® Wireless Control.

Bluetooth® version 4.0 or higher required.

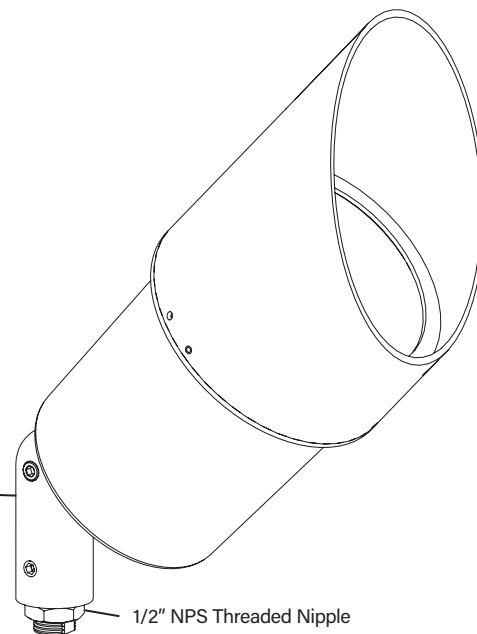
iOS Devices:

- iPhone - iPhone 4s or newer
- iPad - 3rd Gen iPad or newer
iPad Mini
iPad Air
- iPod - iPod Touch 5th Gen or newer



Patented ACV Valve

360HD Mounting System



1/2" NPS Threaded Nipple

⚠ REMOTE WIRING

LED Driver

Remote driver installations require inter-connected wiring between the LED and driver (not included). Drivers have specific wiring requirements between these components. Driver manufacturers regularly recommend the following wiring details for such installations:

- Do not exceed 50 foot overall wiring distance using 12 gauge copper wire.

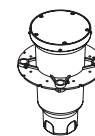
Failure to comply with specific wiring requirements will void product warranty.

DRIVER HOUSING REQUIRED

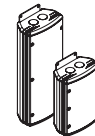
Please refer to specified remote driver housing documentation for detailed installation instructions.

REMOTE DRIVER HOUSINGS:

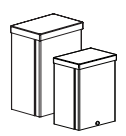
- HP2RM - HP2 Remote Housing
- PM3RM - Universal Power Module 3 Remote
- PM3DRM - Universal Power Module 3 Dual Remote
- RM - Remote Wall Mount
- DRM - Dual Remote Wall Mount



HP2RM



PM3RM & PM3DRM



RM & DRM

IMPORTANT SAFETY INFORMATION - READ, FOLLOW, AND SAVE THESE INSTALLATION INSTRUCTIONS

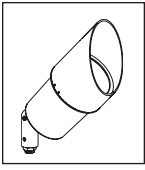
B-K LIGHTING

40429 Brickyard Drive • Madera, CA 93636 • USA
559.438.5800 • FAX 559.438.5900
www.bklighting.com • info@bklighting.com

RELEASE DATE
07/17/2023

REFERENCE NUMBER
INS-2181-00

THIS DOCUMENT CONTAINS PROPRIETARY INFORMATION OF B-K LIGHTING, INC. AND ITS RECEIPT OR POSSESSION DOES NOT CONVEY ANY RIGHTS TO REPRODUCE, DISCLOSE ITS CONTENTS, OR TO MANUFACTURE, USE OR SELL ANYTHING IT MAY DESCRIBE. REPRODUCTION, DISCLOSURE OR USE WITHOUT SPECIFIC WRITTEN AUTHORIZATION OF B-K LIGHTING, INC. IS STRICTLY FORBIDDEN.



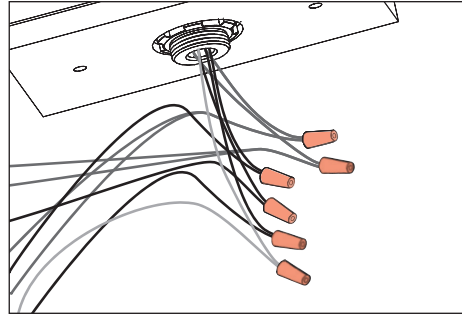
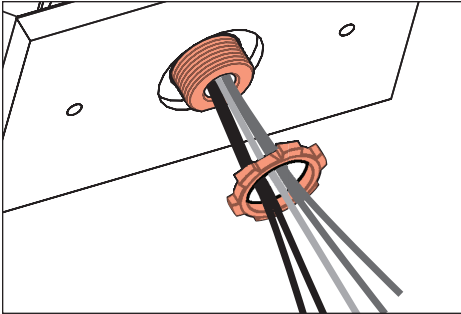
Standard Installation

K2 - COLOR TUNING

INSPIRATION CONTROL SYSTEM

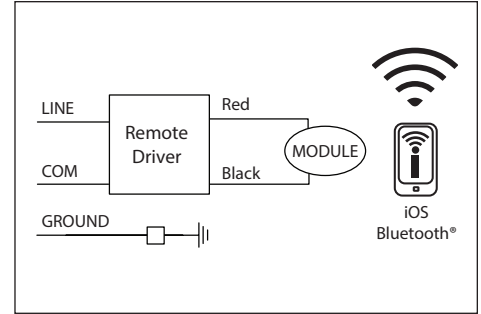
⚠️ iOS device (Not Included) with installed B-K Lighting Inspiration Application required for use.

Fixture Installation



1. Mount fixture onto suitable enclosure according to designed lighting plan.
2. Secure ½" NPS stem to mounting option. Secure with provided locknut if applicable.

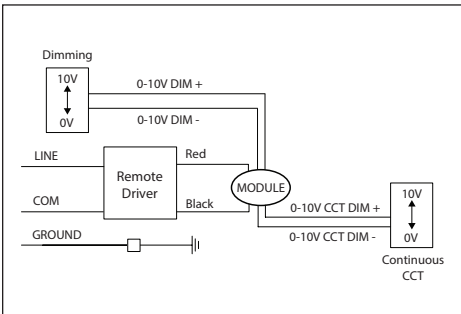
3. Pull remote wiring and external controls through mounting plate. Make connections from remote driver to fixture leads using waterproof wire connectors (not included). Number of wires and connections varies with wiring as per lighting plan. **See wiring diagrams.**



WIRING DIAGRAM - Wireless Bluetooth® Controls with Inspiration Application on iOS device

iOS device controls dimming, CCT, Saturation, and Hue using Bluetooth® wireless controls and the application.

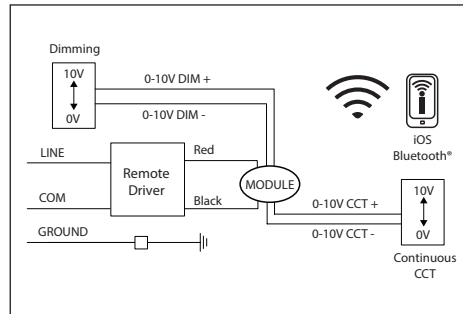
⚠️ iOS device must be within 5ft of fixture for wireless operation.



WIRING DIAGRAM - Hybrid

Secondary wiring from remote driver connects to fixture leads. 0-10V dimming connects to module. 0-10V Continuous CCT connects to module. iOS device controls Saturation and Hue.

⚠️ iOS device must be within 5ft of fixture for wireless operation.



WIRING DIAGRAM - 0-10V Wired

Secondary wiring from remote driver connects to fixture leads. 0-10V dimming connects to module. 0-10V Continuous CCT connects to module and controls CCT.

⚠️ iOS device must be within 5ft of fixture for wireless operation.

**IMPORTANT SAFETY INFORMATION LISTED ON REVERSE
READ, FOLLOW, AND SAVE ALL SAFETY AND INSTALLATION INSTRUCTIONS**

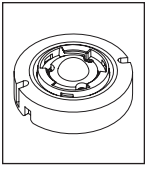


B-K LIGHTING

40429 Brickyard Drive • Madera, CA 93636 • USA
559.438.5800 • FAX 559.438.5900
www.bklighting.com • info@bklighting.com

RELEASE DATE
07/18/2023

REFERENCE NUMBER
INS-2181-00



LED MODULE/OPTICS

K2 - COLOR TUNING

Module Replacement



Flammable



Warning



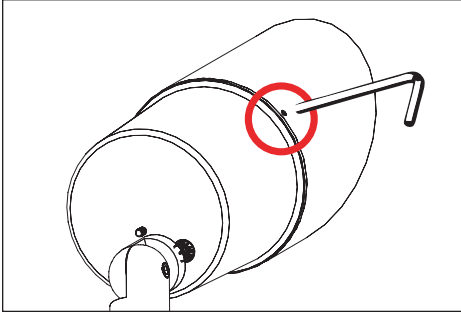
Hot Surface

TOOLS
NEEDED:

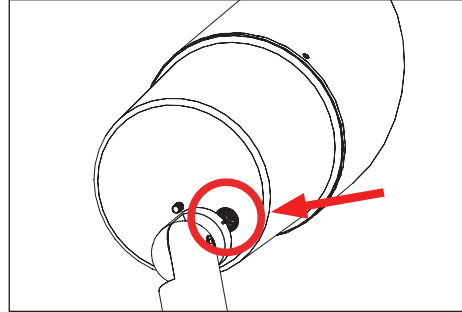


5/32" & .050" Allen Wrench

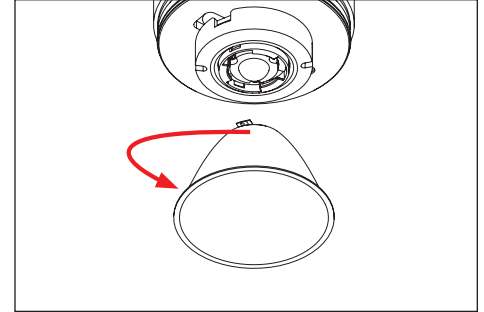
To Replace Components



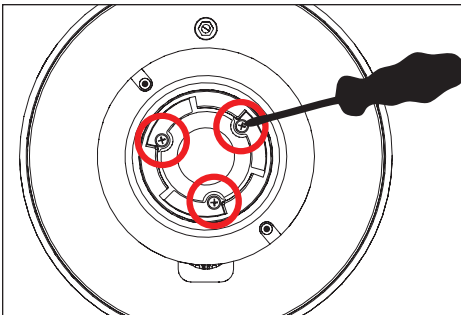
1. Loosen three (3) #10-32 stainless steel set screws on cap with a 5/32" allen wrench. Retain screws in cap.



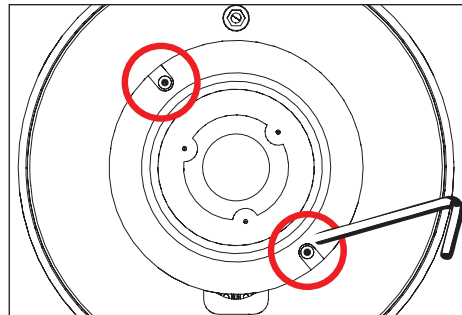
2. Press patented Anti-Condensation Valve (ACV™) to release vacuum created inside the fixture during normal use. The valve is spring-loaded, by depressing it, air is allowed to re-enter the chamber and the pressure is then equalized. When the air-pressure equalizes the cap will release from body to allow service.



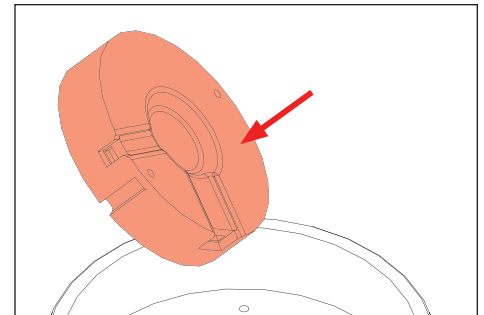
3. Gently twist optic to the left so optic tabs are clear of optic holder and carefully pull away.



4. Loosen, then remove three (3) #2-28 screws from optic module using a .050" allen wrench. Remove optic holder from module.

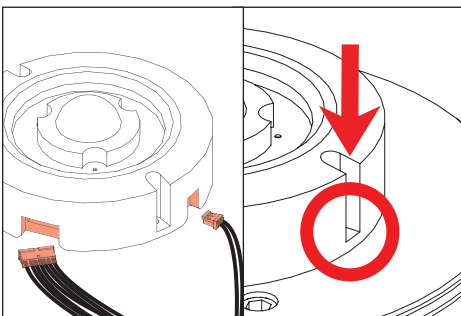


5. Loosen and remove two (2) #2-56 screws holding LED module to heatsink.

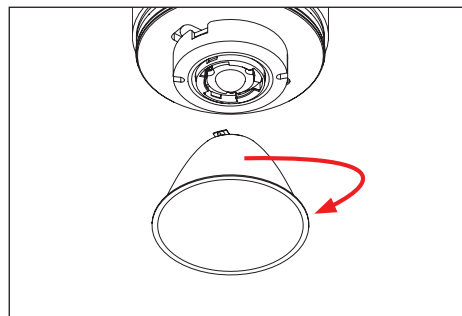


7. Spread thin, even layer of thermal paste on back of new LED module. Place new LED module onto heatsink, lining up module with holes for screws. Tighten two (2) #4-40 screws using a .050" allen wrench to secure LED module to heatsink.

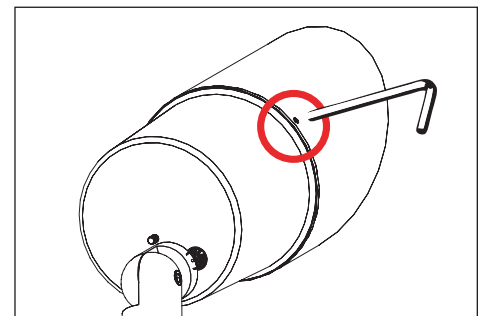
⚠ Do not pull on connectors or wiring. Handle with care.



8. Connect new LED module to fixture via quick disconnects for wiring and for control wiring. Place new LED module onto heatsink, lining up module with holes for screws.



10. Line up optic tabs in the optic holder, then gently twist to the right.



11. Place cap on fixture and tighten set screw. Tighten screw to 1/2 in.-lbs. Top of screw should sit flush with fixture cap.

⚠ Warning: Do not over tighten set screw. Doing so will compromise o-ring seal and will void warranty.

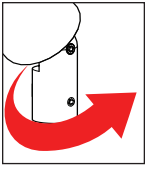
IMPORTANT SAFETY INFORMATION - READ, FOLLOW, AND SAVE THESE INSTALLATION INSTRUCTIONS

B-K LIGHTING

40429 Brickyard Drive • Madera, CA 93636 • USA
559.438.5800 • FAX 559.438.5900
www.bklighting.com • info@bklighting.com

RELEASE DATE
07/18/2023

REFERENCE NUMBER
INS-2321-04



Standard Adjustment

360HD KNUCKLE MOUNTING SYSTEM



Flammable



Warning



Hot Surface

TOOLS
NEEDED:



3/16" Allen wrench

INSTRUCTIONS PERTAINING TO A RISK OF FIRE, OR INJURY TO PERSONS IMPORTANT SAFETY INSTRUCTIONS

Lighted fixture is HOT!

WARNING - To reduce the risk of FIRE OR INJURY TO PERSONS:

Turn off/unplug and allow to cool before replacing lamp/LED. Fixture gets HOT quickly! Contact only switch/plug when turning on. Do not touch hot lens, guard, or enclosure. Keep fixture away from materials that may burn. Do not operate the luminaire fitting with a missing or damaged shield. Do not touch the source at any time. Use a soft cloth or gloves. Oil from skin may cause damage.

SAVE THESE INSTRUCTIONS

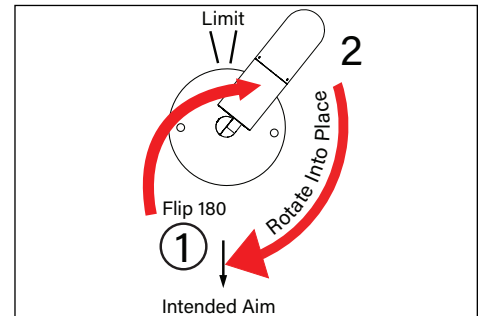
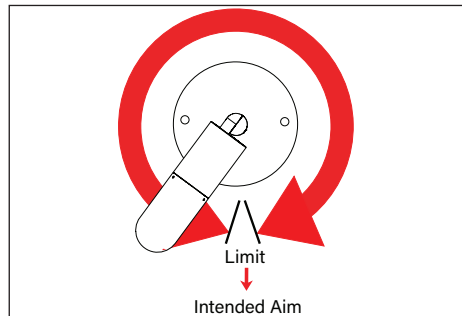
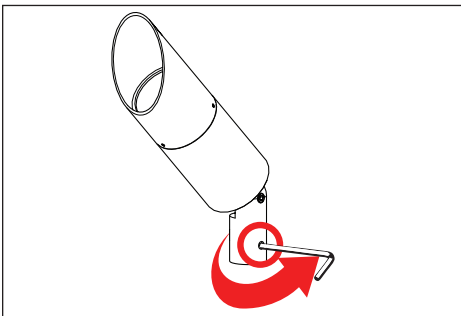
IMPORTANT SAFETY INFORMATION - READ, FOLLOW, AND SAVE ALL SAFETY AND INSTALLATION INSTRUCTIONS

- Product must be installed by a qualified person in a manner consistent with its intended use and in compliance with the National Electrical Code, Canadian Electrical Code, and all Local and Provincial Codes.
- Follow product label information and instructions.
- Qualified Personnel with appropriate personal protective equipment must perform all servicing of this product.
- Before wiring to power supply and during servicing, turn off and lock out power at fuse or circuit breaker before service.
- The use of accessory equipment not recommended by the manufacturer or installed contrary to instructions may cause an unsafe condition. The use of damaged components may cause an unsafe condition and void product warranty.
- Do not block light emanating from product in whole or part, as this may cause an unsafe condition.
- Never operate the fixture with missing or damaged lens. Lens must be cleaned on regular basis.
- Entire fixture may become extremely hot. Do not touch hot lens or fixture body.
- Replace LED assembly only with correct wattage and type of power supply appropriate for LED assembly.
- All gaskets, o-rings and sealing surfaces must be kept clean during installation and service; failure to do this may cause an unsafe condition and void product warranty.

IMPORTANT LISTINGS AND CERTIFICATIONS

- Suitable for wet locations • Additionally suitable for mounting within 4 ft. of the ground

360HD Knuckle Mounting System



1. Use a 3/16" allen wrench to slightly loosen one (1) 3/8"-16 set screw on the knuckle for 360° aiming purpose.
2. Rotate fixture at base and aim fixture to desired horizontal location.
3. If the over-rotation protection pin is in the desired aiming position, do not force the fixture past the limit. Using a 3/16" allen wrench, slightly loosen both set screws in the knuckle, enough to move the fixture freely on both axes.
4. Flip the fixture 180 degrees over the knuckle. The rotational range limit will now be 180 degrees from the original position. Now rotate the fixture into the desired aiming position.
5. Secure aim by tightening one (1) 3/8"-16 set screw using a 3/16" allen wrench.

⚠ Rotating the cap may be necessary for proper weep hole and cutoff position

⚠ Warning: Do not over tighten cap set screws. Doing so will compromise o-ring seal and will void warranty.

IMPORTANT SAFETY INFORMATION - READ, FOLLOW, AND SAVE THESE INSTALLATION INSTRUCTIONS

B-K LIGHTING

40429 Brickyard Drive • Madera, CA 93636 • USA
559.438.5800 • FAX 559.438.5900
www.bklighting.com • info@bklighting.com

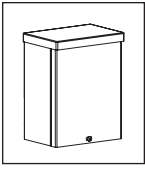
RELEASE DATE
08/16/2023

REFERENCE NUMBER
INS-2096-00

THIS DOCUMENT CONTAINS PROPRIETARY INFORMATION OF B-K LIGHTING, INC. AND ITS RECEIPT OR POSSESSION DOES NOT CONVEY ANY RIGHTS TO REPRODUCE, DISCLOSE ITS CONTENTS, OR TO MANUFACTURE, USE OR SELL ANYTHING IT MAY DESCRIBE. REPRODUCTION, DISCLOSURE OR USE WITHOUT SPECIFIC WRITTEN AUTHORIZATION OF B-K LIGHTING, INC. IS STRICTLY FORBIDDEN.

NEMA 3R REMOTE DRIVER

INSPIRATION CONTROL SYSTEM



Standard Installation



Flammable



Warning



High Voltage



Hot Surface

TOOLS NEEDED:



1/8" Allen wrench



Phillips Screwdriver



Level



Hammer



Mounting Hardware



ISOS Device with Inspiration App

INSTRUCTIONS PERTAINING TO A RISK OF FIRE, OR INJURY TO PERSONS IMPORTANT SAFETY INSTRUCTIONS

Lighted fixture is HOT!

WARNING - To reduce the risk of FIRE OR INJURY TO PERSONS:

Turn off/unplug and allow to cool before replacing lamp/LED. Fixture gets HOT quickly! Contact only switch/plug when turning on. Do not touch hot lens, guard, or enclosure. Keep fixture away from materials that may burn. Do not operate the luminaire fitting with a missing or damaged shield. Do not touch the source at any time. Use a soft cloth or gloves. Oil from skin may cause damage.

SAVE THESE INSTRUCTIONS

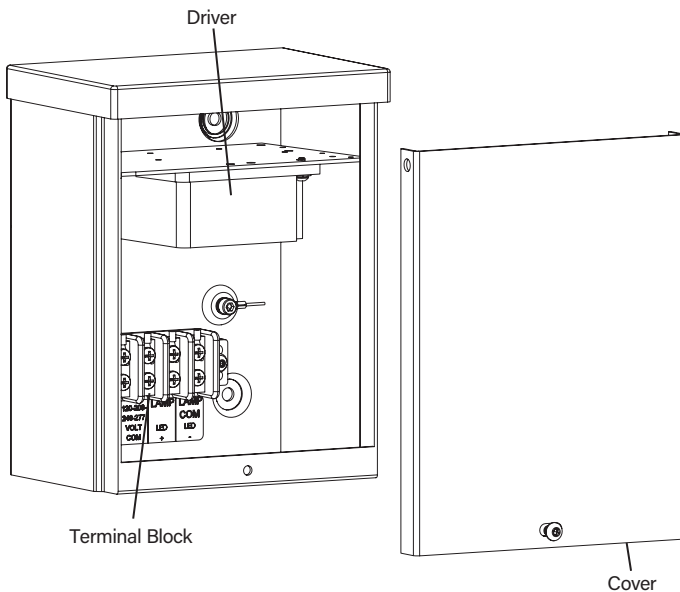
IMPORTANT SAFETY INFORMATION - READ, FOLLOW, AND SAVE ALL SAFETY AND INSTALLATION INSTRUCTIONS

- Product must be installed by a qualified person in a manner consistent with its intended use and in compliance with the National Electrical Code, Canadian Electrical Code, and all Local and Provincial Codes.
- Follow product label information and instructions.
- Qualified Personnel with appropriate personal protective equipment must perform all servicing of this product.
- Before wiring to power supply and during servicing, turn off and lock out power at fuse or circuit breaker before service.
- The use of accessory equipment not recommended by the manufacturer or installed contrary to instructions may cause an unsafe condition. The use of damaged components may cause an unsafe condition and void product warranty.
- Do not block light emanating from product in whole or part, as this may cause an unsafe condition.
- Never operate the fixture with missing or damaged lens. Lens must be cleaned on regular basis.
- Entire fixture may become extremely hot. Do not touch hot lens or fixture body.
- Replace LED assembly only with correct wattage and type of power supply appropriate for LED assembly.
- All gaskets, o-rings and sealing surfaces must be kept clean during installation and service; failure to do this may cause an unsafe condition and void product warranty.

IMPORTANT LISTINGS AND CERTIFICATIONS

- Suitable for wet locations

RM - Single Remote Housing



⚠ REMOTE WIRING

LED Driver

Remote driver installations require inter-connected wiring between the LED and driver (not included). Drivers have specific wiring requirements between these components. Driver manufacturers regularly recommend the following wiring details for such installations:

- Do not exceed 50 foot overall wiring distance using 12 gauge copper wire.

Failure to comply with specific wiring requirements will void product warranty.

⚠ Device Requirements

⚠ iOS device with installed Inspiration Control System App is required for Bluetooth® Wireless Control.

Bluetooth® version 4.0 or higher required.

iOS Devices:

- iPhone** - iPhone 4s or newer
- iPad** - 3rd Gen iPad or newer
iPad Mini
iPad Air
- iPod** - iPod Touch 5th Gen or newer

IMPORTANT SAFETY INFORMATION - READ, FOLLOW, AND SAVE THESE INSTALLATION INSTRUCTIONS

B-K LIGHTING

40429 Brickyard Drive • Madera, CA 93636 • USA
559.438.5800 • FAX 559.438.5900
www.bklighting.com • info@bklighting.com

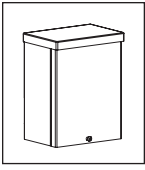
RELEASE DATE
07/18/2023

REFERENCE NUMBER
INS-2564-00

THIS DOCUMENT CONTAINS PROPRIETARY INFORMATION OF B-K LIGHTING, INC. AND ITS RECEIPT OR POSSESSION DOES NOT CONVEY ANY RIGHTS TO REPRODUCE, DISCLOSE ITS CONTENTS, OR TO MANUFACTURE, USE OR SELL ANYTHING IT MAY DESCRIBE. REPRODUCTION, DISCLOSURE OR USE WITHOUT SPECIFIC WRITTEN AUTHORIZATION OF B-K LIGHTING, INC. IS STRICTLY FORBIDDEN.

NEMA 3R REMOTE DRIVER

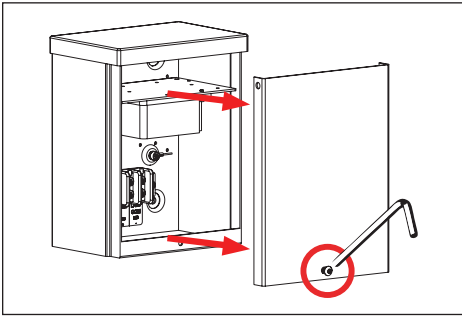
INSPIRATION CONTROL SYSTEM



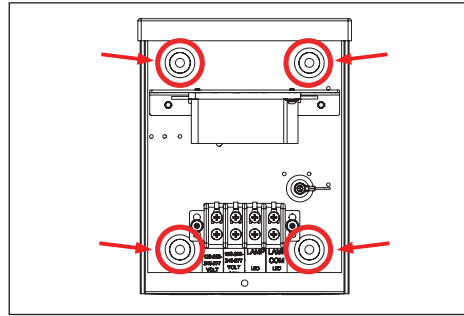
Standard Installation

⚠️ iOS device (not included) with installed B-K Lighting Inspiration Application required for use.

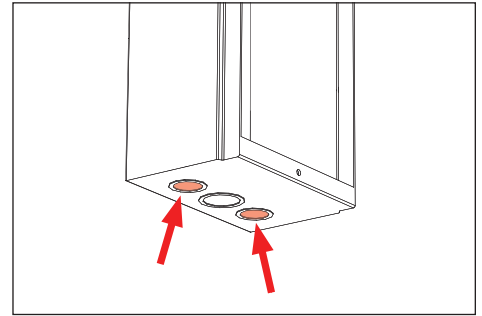
Housing Installation



1. Remove cover by removing #10-24 cover screw using a 1/8" allen wrench.

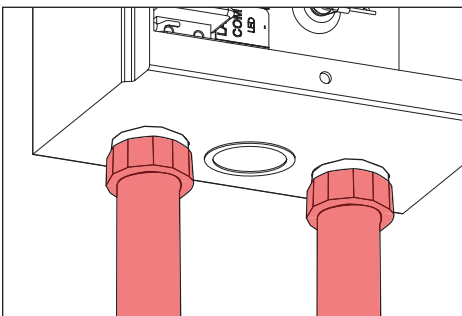


2. Attach the NEMA 3R housing at mounting holes with 1/4" fasteners. Use suitable mounting hardware for surface. Use level to ensure a level install.

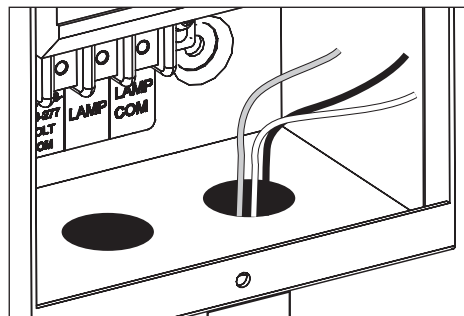


3. Remove knockout(s) with hammer as needed from the NEMA 3R housing. Leave remaining unused knockouts in place to maintain seal.

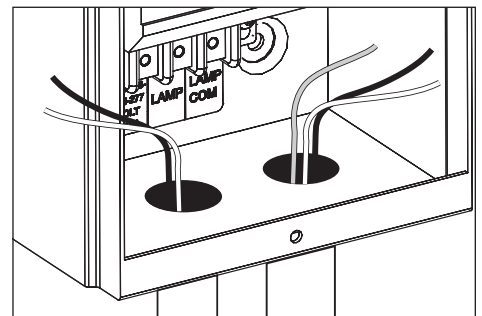
⚠️ NOTE: Many methods exist to bolt to a flat surface. The housing is provided with mounting brackets with 1/4" holes.



4. Connect conduit connector through female threaded conduit entry.



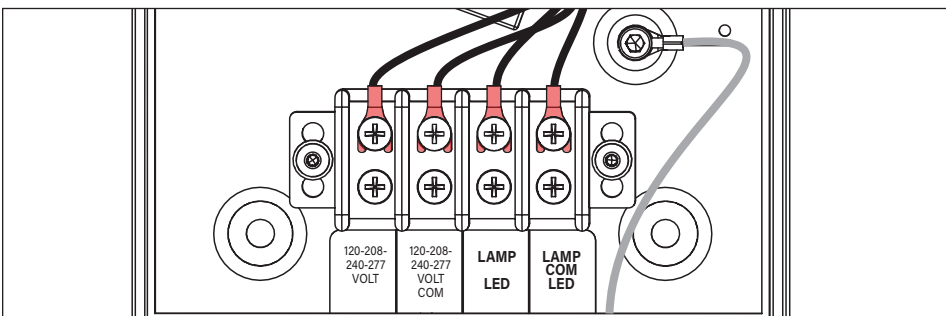
5. Pull branch circuit wiring necessary for installation.



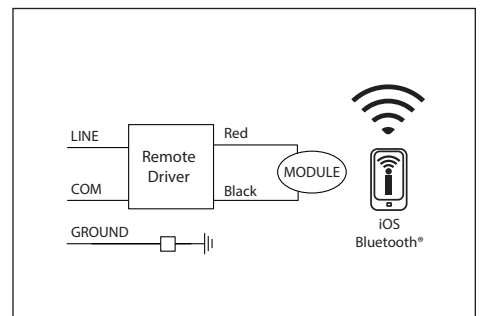
6. Pull secondary leads necessary for installation through dedicated conduit.

⚠️ NOTE: Surface conduit is a common entrance for water if not properly sealed. Seal connector threads and conduit with a suitable sealant (teflon tape, adhesive, etc.). Sealing the conduit after knockouts are removed is required to maintain warranty.

⚠️ NOTE: Failure to comply with specific wiring requirements will void product warranty.



7. Connect branch circuit to terminal block. Connect incoming ground to ground wire provided on NEMA 3R housing. Connect secondary lamp leads to terminal. See labels on terminal block for additional information.



WIRING DIAGRAM - Wireless Bluetooth® Controls with Inspiration Application on iOS device

iOS device controls dimming, CCT, Saturation, and Hue using Bluetooth® wireless controls and the application.

**IMPORTANT SAFETY INFORMATION LISTED ON REVERSE
READ, FOLLOW, AND SAVE ALL SAFETY AND INSTALLATION INSTRUCTIONS**

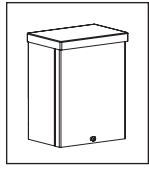


B-K LIGHTING

40429 Brickyard Drive • Madera, CA 93636 • USA
559.438.5800 • FAX 559.438.5900
www.bklighting.com • info@bklighting.com

RELEASE DATE
07/18/2023

REFERENCE NUMBER
INS-2564-00

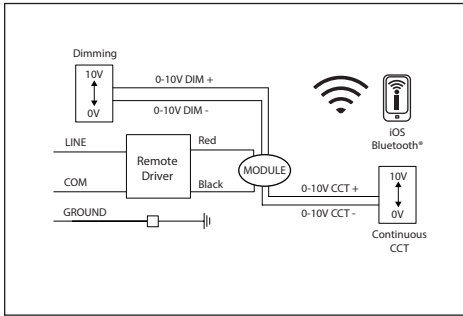


NEMA 3R REMOTE DRIVER

INSPIRATION CONTROL SYSTEM

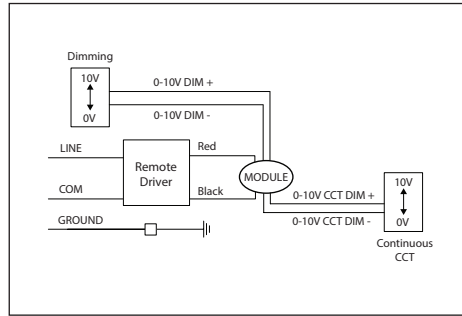
Standard Installation

⚠️ iOS device (not included) with installed B-K Lighting Inspiration Application required for use.



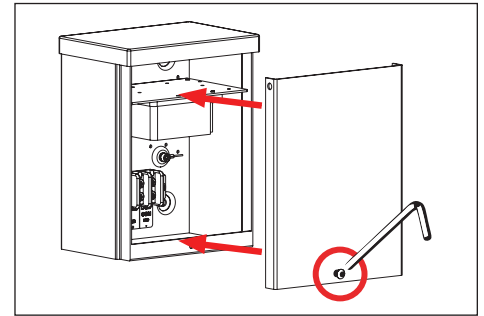
WIRING DIAGRAM - Hybrid

Secondary wiring from remote driver connects to fixture leads. 0-10V dimming connects to module. 0-10V Continuous CCT connects to module. iOS device controls Saturation and Hue.



WIRING DIAGRAM - 0-10V Wired

Secondary wiring from remote driver connects to fixture leads. 0-10V dimming connects to module. 0-10V Continuous CCT connects to module and controls CCT.



8. Re-attach cover. Tighten cover screw.

**IMPORTANT SAFETY INFORMATION LISTED ON REVERSE
READ, FOLLOW, AND SAVE ALL SAFETY AND INSTALLATION INSTRUCTIONS**



B-K LIGHTING

40429 Brickyard Drive • Madera, CA 93636 • USA
559.438.5800 • FAX 559.438.5900
www.bklighting.com • info@bklighting.com

RELEASE DATE
07/18/2023

REFERENCE NUMBER
INS-2564-00