

DATE:	PROJECT:	TYPE:
-------	----------	-------

CATALOG NUMBER LOGIC:



*Lamp details available on the next page.

**For use in Back Box installation only.

CATALOG NUMBER LOGIC

Example: B - BQ - MR - 359 - WHP - TP

MATERIAL

(Blank) - Aluminum B - Brass

INSTALLATION

(Blank) - Back Box

SERIES

BQ - Brick Star

SOURCE

MR - MR16 Lamp

LAMP TYPE

0 - MR16 HALOGEN LAMP (Furnished by others)

MR16 LED (This choice requires lamp number selection)*

FINISH

Standard Finishes (BZP, BZW, BLP, BLW, WHP, WHW, SAP, VER)

Premium Finish (ABP, AMG, AQW, BCM, BGE, BPP, CAP, CMG, CRI, CRM, HUG, MDS, NBP, OCP, RMG, SDS, SMG, TXF, WCP, WIR)

(Also available in RAL Finishes. See submittal SUB-1439-00)

RAL Finishes (Also available, see submittal SUB-1439-00)

Brass Finishes (MAC, POL, MIT)

OPTION

AJ - Adjustable Lamp Bracket***

TP - Thermal Protection (20W lamp max.)***

MR16 LED LAMP

DATE: PROJECT: TYPE:

CATALOG NUMBER LOGIC:



LAMP TYPE

0 - Furnished by Others

MR16 LED LAMP (SORAA)

359 - LED/MR16 (7.5W) 10° Spot 2700K, Soraa (SM16-07-10D-827-H1)

361 - LED/MR16 (7.5W) 25° Narrow Flood 2700K, Soraa (SM16-07-25D-827-H1)

362 - LED/MR16 (7.5W) 36° Flood 2700K, Soraa (SM16-07-36D-827-H1)

363 - LED/MR16 (7.5W) 10° Spot 3000K, Soraa (SM16-07-10D-830-H1)

365 - LED/MR16 (7.5W) 25° Narrow Flood 3000K, Soraa (SM16-07-25D-830-H1)

366 - LED/MR16 (7.5W) 36° Flood 3000K, Soraa (SM16-07-36D-830-H1)

B-K LIGHTING

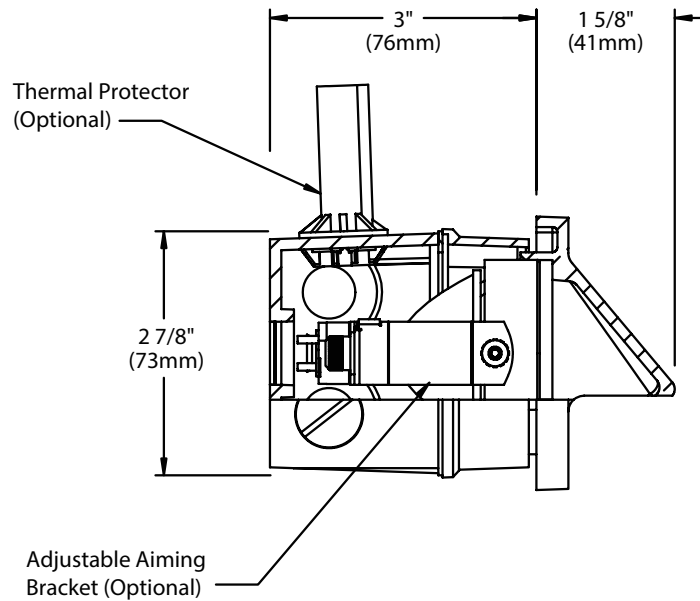
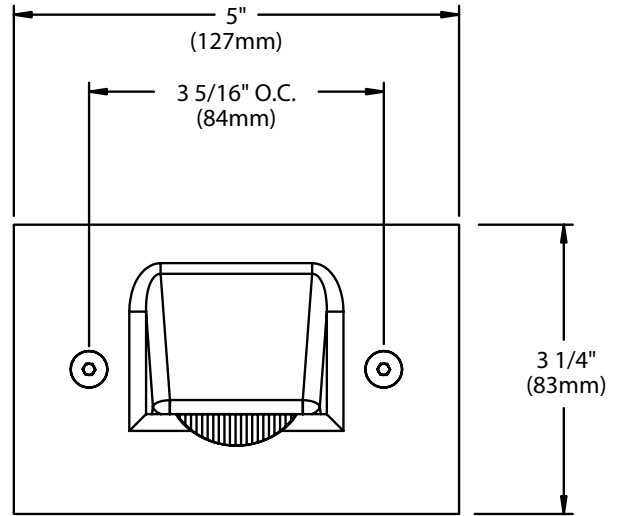
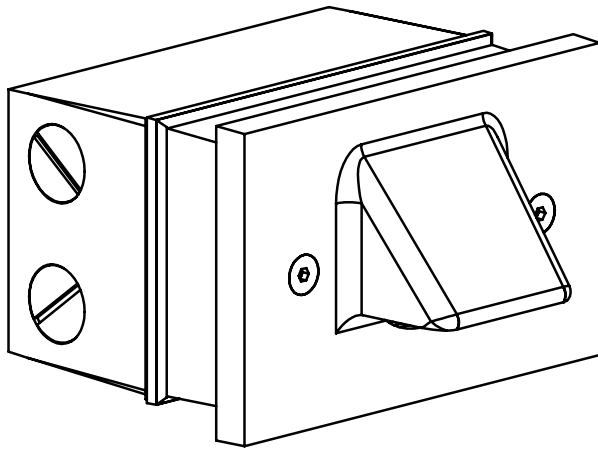
MADE IN THE USA

559.438.5800 | INFO@BKLIGHTING.COM | BKLIGHTING.COM

THIS DOCUMENT CONTAINS PROPRIETARY INFORMATION OF B-K LIGHTING, INC. AND ITS RECEIPT OR POSSESSION DOES NOT CONVEY ANY RIGHTS TO REPRODUCE, DISCLOSE ITS CONTENTS, OR TO MANUFACTURE, USE OR SELL ANYTHING IT MAY DESCRIBE. REPRODUCTION, DISCLOSURE OR USE WITHOUT SPECIFIC WRITTEN AUTHORIZATION OF B-K LIGHTING, INC. IS STRICTLY FORBIDDEN.

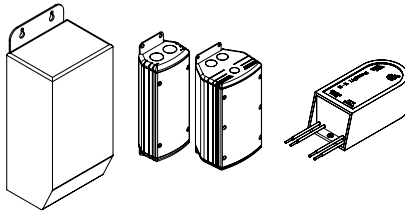
04/22/2020 SKU-989

DATE:	PROJECT:	TYPE:
-------	----------	-------



DATE:	PROJECT:	TYPE:
-------	----------	-------

ACCESSORIES (Configure separately)



TR Series

UPMRM

TRSS-75

SPECIFICATIONS

ELECTRICAL	<p>WATTAGE 7.5W</p> <p>WIRING Teflon* coated wire, 18AWG, 600V, 250° C rated and certified to UL 1659 standard.</p> <p>TRANSFORMER For use with 12VAC remote transformer.</p>
PHYSICAL	<p>MATERIALS Furnished in copper-free aluminum (6061-T6), brass (360) or stainless steel (304).</p> <p>BACKBOX Rectangular, 4-5/8" x 2-7/8" deep, cast aluminum construction. Front access for wire connection and inspection. Provided with five (5) 1/2" NPS tapped holes and two (2) plugs. Suitable for concrete pour.</p> <p>FACEPLATE Cast construction with machined finish. Countersunk holes provide for flush hardware mounting with two (2) tamper-resistant, stainless steel mounting screws. Stainless steel universal mounting ring for faceplate adjustment and 1/5" thick HT-805A silicone foam gasket with acrylic adhesive for water-tight seal.</p> <p>LAMP For use with bi-pin MR16 lamps. Not for use with IR technology lamps. Halogen sourced by others.</p> <p>INSTALLATION For use with 50W maximum lamp when installed into non-combustible materials or with 20W maximum lamp into combustible materials (Type Non IC) (requires optional thermal protection).</p> <p>LENS Heat treated rectilinear lens provides wide lateral distribution and long forward throw.</p> <p>AIMING & CONTROL 90° optical cutoff for mounting heights well below typical visual glare angles. Optional adjustable lamp bracket provides up to 24° vertical aiming, captive thumb screw and quick release bracket to maintain optical alignment during re-lamping.</p> <p>SOCKET Specification grade, ceramic body, miniature bi-pin quartz lamp holder. GU5.3 base. Nickel alloy contacts and heat resistant, spring loaded, stainless steel lamp retaining clips.</p> <p>FINISH StarGuard, our 15-stage chromate-free process cleans and conversion coats aluminum components prior to application of Class 'A' TGIC polyester powder coating and is RoHS compliant. Powder coat or metal finish options available for brass material and metal finish option only for stainless steel material.</p> <p>WARRANTY 5-year limited warranty.</p> <p>CERTIFICATION & LISTING ITL tested to IESNA LM-79. UL Listed. Certified to CAN/CSA/ANSI Standards. RoHS compliant. Suitable for indoor or outdoor use, in wet locations, and for installation in combustible materials (Type Non-IC) and within 4' of the ground. IP65 Rated. Made in the USA with sustainable processes.</p>



B-K LIGHTING

MADE IN THE USA

559.438.5800 | INFO@BKLIGHTING.COM | BKLIGHTING.COM