

DATE:	PROJECT:	TYPE:
-------	----------	-------

CATALOG NUMBER LOGIC:



*Lamp details available on the next page.

CATALOG NUMBER LOGIC

Example: B - CD - VBL - MR - 359 - BLW - D

MATERIAL

(Blank) - Aluminum B - Brass S - Stainless Steel

INSTALLATION

CD - Core Drill

SERIES

VBL - Louvered Vertical Brick Star

SOURCE

MR - MR16 Lamp

LAMP TYPE

0 - MR16 HALOGEN LAMP (Furnished by others)

MR16 LED (This choice requires lamp number selection)*

FINISH

Standard Finishes (BZP, BZW, BLP, BLW, WHP, WHW, SAP, VER)

Premium Finish (ABP, AMG, AQW, BCM, BGE, BPP, CAP, CMG, CRI, CRM, HUG, MDS, NBP, OCP, RMG, SDS, SMG, TXF, WCP, WIR)

(Also available in RAL Finishes. See submittal SUB-1439-00)

RAL Finishes (Also available, see submittal SUB-1439-00)

Brass Finishes (MAC, POL, MIT)

Stainless Steel Finishes (MAC, POL)

LOUVER

D - 30° Angle, Rectangular Pattern

MR16 LED LAMP

DATE:

PROJECT:

TYPE:

CATALOG NUMBER LOGIC:



LAMP TYPE

0 - Furnished by Others

MR16 LED LAMP (SORAA)

359 - LED/MR16 (7.5W) 10° Spot 2700K, Soraa (SM16-07-10D-827-H1)

361 - LED/MR16 (7.5W) 25° Narrow Flood 2700K, Soraa (SM16-07-25D-827-H1)

362 - LED/MR16 (7.5W) 36° Flood 2700K, Soraa (SM16-07-36D-827-H1)

363 - LED/MR16 (7.5W) 10° Spot 3000K, Soraa (SM16-07-10D-830-H1)

365 - LED/MR16 (7.5W) 25° Narrow Flood 3000K, Soraa (SM16-07-25D-830-H1)

366 - LED/MR16 (7.5W) 36° Flood 3000K, Soraa (SM16-07-36D-830-H1)

B-K LIGHTING

MADE IN THE USA

559.438.5800 | INFO@BKLIGHTING.COM | BKLIGHTING.COM

THIS DOCUMENT CONTAINS PROPRIETARY INFORMATION OF B-K LIGHTING, INC. AND ITS RECEIPT OR POSSESSION DOES NOT CONVEY ANY RIGHTS TO REPRODUCE, DISCLOSE ITS CONTENTS, OR TO MANUFACTURE, USE OR SELL ANYTHING IT MAY DESCRIBE. REPRODUCTION, DISCLOSURE OR USE WITHOUT SPECIFIC WRITTEN AUTHORIZATION OF B-K LIGHTING, INC. IS STRICTLY FORBIDDEN.

04/22/2020 SKU-989

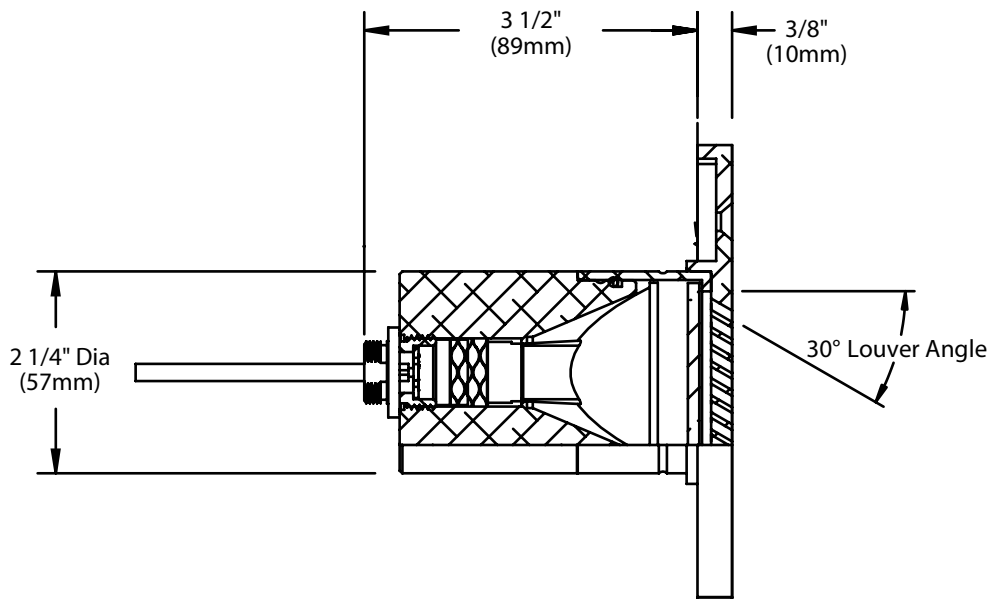
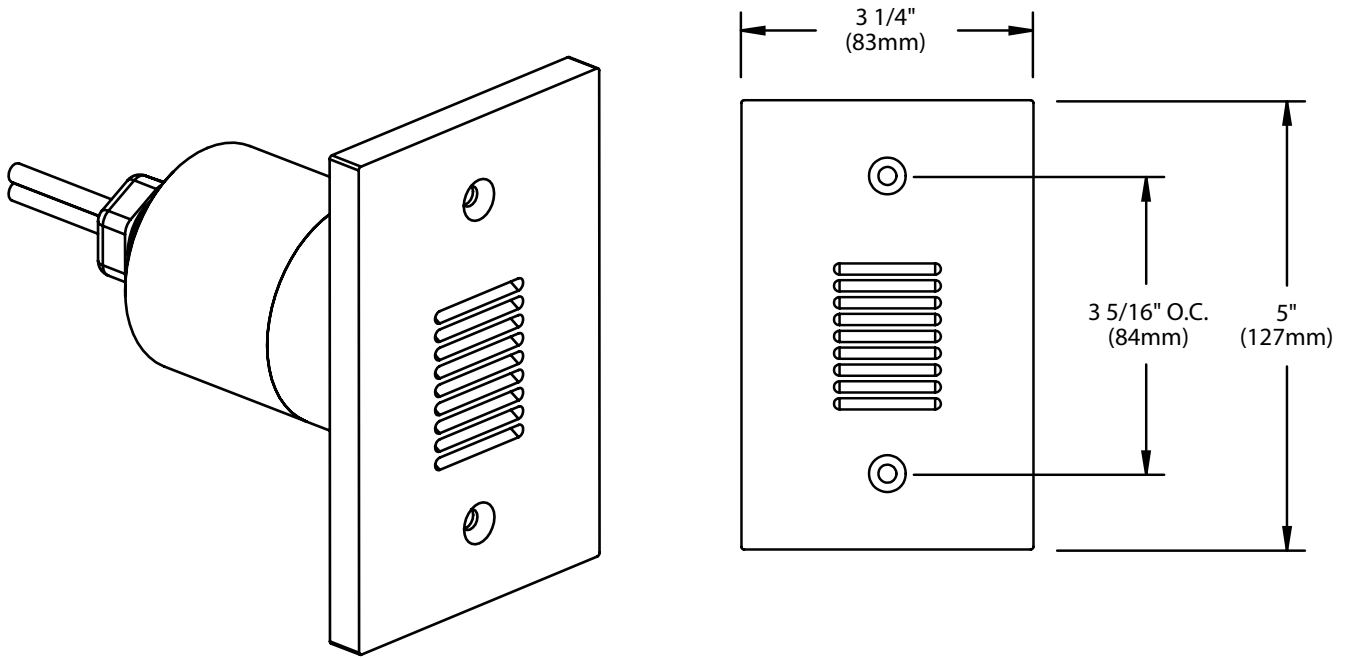
LOUVERED VERTICAL BRICK STAR (MR16 LAMP - CORE DRILL)

IP65 RATED

DATE:

PROJECT:

TYPE:



B-K LIGHTING

MADE IN THE USA

559.438.5800 | INFO@BKLIGHTING.COM | BKLIGHTING.COM

THIS DOCUMENT CONTAINS PROPRIETARY INFORMATION OF B-K LIGHTING, INC. AND ITS RECEIPT OR POSSESSION DOES NOT CONVEY ANY RIGHTS TO REPRODUCE, DISCLOSE ITS CONTENTS, OR TO MANUFACTURE, USE OR SELL ANYTHING IT MAY DESCRIBE. REPRODUCTION, DISCLOSURE OR USE WITHOUT SPECIFIC WRITTEN AUTHORIZATION OF B-K LIGHTING, INC. IS STRICTLY FORBIDDEN.

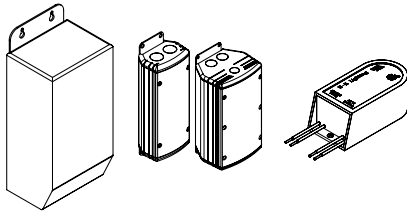
04/07/2020 SKU-550
SUB-1273-00

LOUVERED VERTICAL BRICK STAR (MR16 LAMP - CORE DRILL)

IP65 RATED

DATE:	PROJECT:	TYPE:
-------	----------	-------

ACCESSORIES (Configure separately)



TR Series

UPMRM

TRSS-75

SPECIFICATIONS

ELECTRICAL	WATTAGE TRANSFORMER	7.5W For use with 12VAC remote transformer.
PHYSICAL	MATERIALS CORE DRILL FACEPLATE LAMP INSTALLATION LENS LOUVERS & AIMING SOCKET WIRING FINISH WARRANTY CERTIFICATION & LISTING	<p>Furnished in copper-free aluminum (6061-T6), brass (360) or stainless steel (304).</p> <p>Allows for mounting into existing structures that will not easily accept a standard box. Machined from solid, copper-free aluminum. Weather-tight cable connector with 5'0, 12Ga., 2 wire low voltage cable. 2-1/2" dia. hole required for slip fit.</p> <p>Machined from solid, copper-free aluminum. Also available in solid, machined brass and stainless steel. Countersunk holes provide for flush hardware mounting.</p> <p>For use with bi-pin MR16 lamps. Not for use with IR technology lamps. Halogen sourced by others.</p> <p>For use with 50W maximum lamp when installed into non-combustible materials.</p> <p>Heat treated rectilinear lens provides wide lateral distribution and long forward throw.</p> <p>Louver pattern is machined into faceplate to prevent direct view to the lamp at 0°, 30° optical cutoff for mounting heights well below typical visual glare angles.</p> <p>Specification grade, ceramic body, miniature bi-pin quartz lamp holder. GU5.3 base. Nickel alloy contacts and heat resistant, spring loaded, stainless steel lamp retaining dips.</p> <p>Teflon-coated, 18AWG, 600V, 250° C rated and certified to UL 1659 standard. Anti-Siphon Valve (ASV) prevents 'wicking' through conductor insulation.</p> <p>StarGuard, our 15-stage chromate-free process cleans and conversion coats aluminum components prior to application of Class 'A' TGIC polyester powder coating and is RoHS compliant. Powder coat or metal finish options available for brass material and metal finish option only for stainless steel material.</p> <p>5-year limited warranty.</p> <p>ITL tested to IESNA LM-79. UL Listed. Certified to CAN/CSA/ANSI Standards. RoHS compliant. Suitable for indoor or outdoor use, in wet locations, and for installation in combustible materials (Type Non-IC) and within 4' of the ground. IP65 Rated. Made in the USA with sustainable processes.</p>



B-K LIGHTING

MADE IN THE USA

559.438.5800 | INFO@BKLIGHTING.COM | BKLIGHTING.COM

THIS DOCUMENT CONTAINS PROPRIETARY INFORMATION OF B-K LIGHTING, INC. AND ITS RECEIPT OR POSSESSION DOES NOT CONVEY ANY RIGHTS TO REPRODUCE, DISCLOSE ITS CONTENTS, OR TO MANUFACTURE, USE OR SELL ANYTHING IT MAY DESCRIBE. REPRODUCTION, DISCLOSURE OR USE WITHOUT SPECIFIC WRITTEN AUTHORIZATION OF B-K LIGHTING, INC. IS STRICTLY FORBIDDEN.

04/07/2020 SKU-550
SUB-1273-00