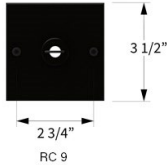


DATE: \_\_\_\_\_ PROJECT: \_\_\_\_\_ TYPE: \_\_\_\_\_

CATALOG NUMBER LOGIC:



**CATALOG NUMBER LOGIC**

Example: B - RC9 - BZW

**MATERIAL**

(Blank) - Aluminum B - Brass S - Stainless Steel

**SERIES**

RC9 - Ring Mounted Machined Canopy

**FINISH (See below for full-color swatches)**

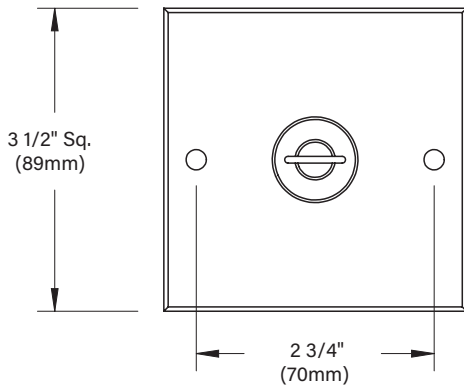
Standard Finishes (BZP, BZW, BLP, BLW, WHP, WHW, SAP, VER)

Premium Finish (ABP, AMG, AQW, BCM, BGE, BPP, CAP, CMG, CRM, HUG, NBP, OCP, RMG, SDS, SMG, TXF, WCP, WIR)

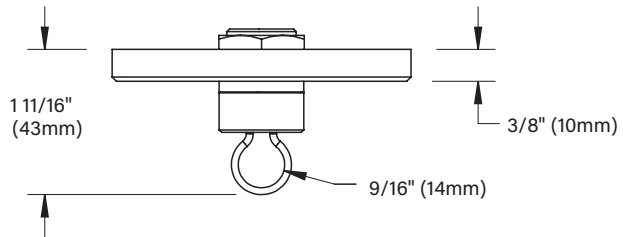
Also available in RAL Finishes.

Brass Finishes (MAC, POL, MIT)

Stainless Steel Finishes (MAC, POL)



**FRONT VIEW**

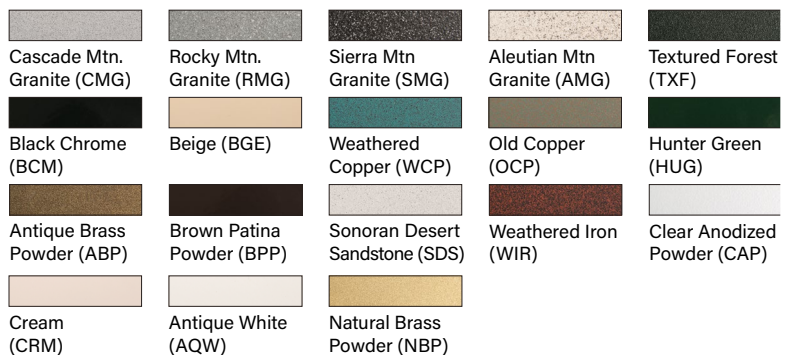


**SIDE VIEW**

**STANDARD FINISHES**



**PREMIUM FINISHES**



[Click Here](#) to view larger, full-color swatches of all available finishes on our website.

DATE:	PROJECT:	TYPE:
-------	----------	-------

ACCESSORIES (Configure separately)

## SPECIFICATIONS

PHYSICAL	MATERIALS	Furnished in copper-free aluminum (6061-T6), brass (360) or stainless steel (304).
	RING MOUNT CANOPY	Machined aluminum endcap in powder coat finish for maximum corrosion resistance attaches ¾" O.D. black oxide stainless steel mounting ring, which permits cable or hook mounting. Rings are rated at 25lbs. vertical static load under normal installation conditions.
	INSTALLATION	For use with 3" recessed octagonal junction box or 3" mud ring on 4" octagonal box (by others).
	HARDWARE	Tamper-resistant, stainless steel mounting hardware. Black oxide treated for additional corrosion resistance.
	FINISH	StarGuard, our 15-stage chromate-free process cleans and conversion coats aluminum components prior to application of Class 'A' TGIC polyester powder coating and is RoHS compliant. Powder coat or metal finish options available for brass material and metal finish option only for stainless steel material.
	WARRANTY	5-year limited warranty.
	CERTIFICATION & LISTING	Suitable for indoor or outdoor use. RoHS Compliant. Made in USA with sustainable processes.

