

DATE: _____ PROJECT: _____ TYPE: _____

CATALOG NUMBER LOGIC:

CATALOG NUMBER LOGIC

Example: B - RC11 - BZW

MATERIAL

(Blank) - Aluminum B - Brass S - Stainless Steel

SERIES

RC11 - Ring Mounted Machined Canopy

FINISH (See below for full-color swatches)

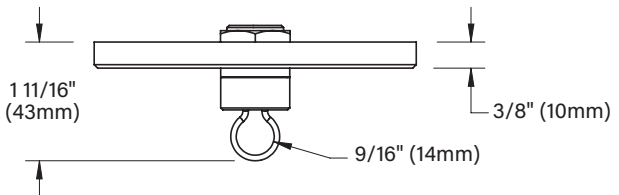
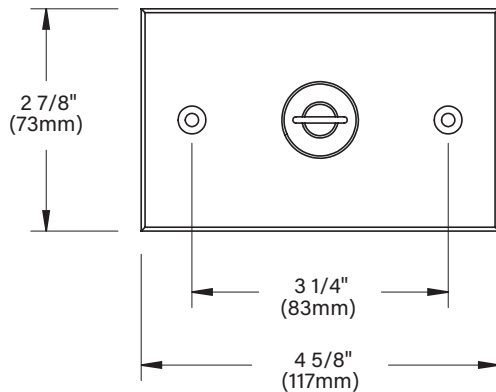
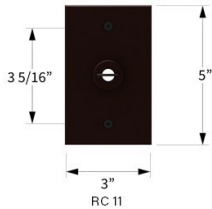
Standard Finishes (BZP, BZW, BLP, BLW, WHP, WHW, SAP, VER)

Premium Finish (ABP, AMG, AQW, BCM, BGE, BPP, CAP, CMG, CRM, HUG, NBP, OCP, RMG, SDS, SMG, TXF, WCP, WIR)

Also available in RAL Finishes.

Brass Finishes (MAC, POL, MIT)

Stainless Steel Finishes (MAC, POL)



FRONT VIEW

SIDE VIEW

STANDARD FINISHES



PREMIUM FINISHES



[Click Here](#) to view larger, full-color swatches of all available finishes on our website.

DATE:

PROJECT:

TYPE:

ACCESSORIES (Configure separately)

SPECIFICATIONS

<p>PHYSICAL</p>	<p>MATERIALS</p> <p>RING MOUNT CANOPY</p> <p>INSTALLATION</p> <p>HARDWARE</p> <p>FINISH</p> <p>WARRANTY</p> <p>CERTIFICATION & LISTING</p>	<p>Furnished in copper-free aluminum (6061-T6).</p> <p>Machined aluminum endcap in powder coat finish for maximum corrosion resistance attaches ¾" O.D. black oxide stainless steel mounting ring, which permits cable or hook mounting. Rings are rated at 25lbs. vertical static load under normal installation conditions.</p> <p>For use with MB2 surface mounting box (specify separately).</p> <p>Tamper-resistant, stainless steel mounting hardware. Black oxide treated for additional corrosion resistance.</p> <p>StarGuard, our 15-stage chromate-free process cleans and conversion coats aluminum components prior to application of Class 'A' TGIC polyester powder coating and is RoHS compliant.</p> <p>5-year limited warranty.</p> <p>Suitable for indoor or outdoor use. RoHS Compliant. Made in USA with sustainable processes.</p>
-----------------	--	--

