

DATE: _____ PROJECT: _____ TYPE: _____

CATALOG NUMBER LOGIC:



Driver housing required. Configure separately.

**Available for x43, x44, and x45 only.*

CATALOG NUMBER LOGIC

Example: K2 - LED - x43 - NSP - SAP - 12 - 11 - B

MATERIAL

Aluminum

SERIES

K2 - K2

SOURCE

LED - Chip on Board Technology

LED TYPE

x43 - 34W LED/2700K x46 - 42W LED/2700K x49 - 57W LED/2700K

x44 - 34W LED/3000K x47 - 42W LED/3000K x50 - 57W LED/3000K

x45 - 34W LED/4000K x48 - 42W LED/4000K x51 - 57W LED/4000K

OPTICS

NSP - Narrow Spot (18°)* FL - Flood (40°)

NFL - Narrow Flood (25°) WFL - Wide Flood (60°)

FINISH (See page 2 for full-color swatches)

Standard Finishes (BZP, BZW, BLP, BLW, WHP, WHW, SAP, VER)

Premium Finish (ABP, AMG, AQW, BCM, BGE, BPP, CAP, CMG, CRM, HUG, NBP, OCP, RMG, SDS, SMG, TXF, WCP, WIR)

Also available in RAL Finishes

LENS TYPE

12 - Soft Focus

SHIELDING

11 - Honeycomb Baffle

CAP STYLE

A - 45°

B - 90°

C - Flush

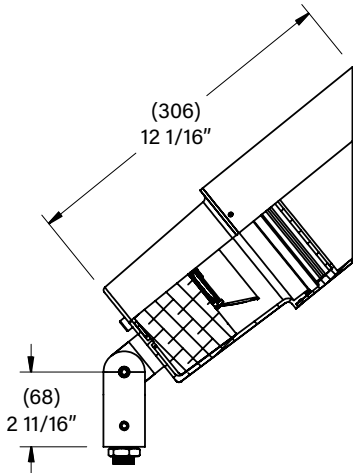
D - 45° Less Weephole (Interior use only)

E - 90° Less Weephole (Interior use only)

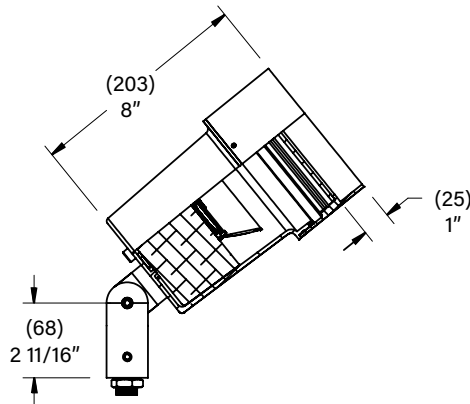
DATE:

PROJECT:

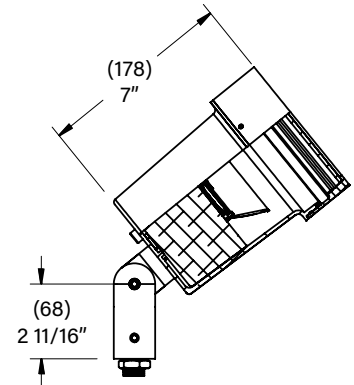
TYPE:



"A/D" CAP



"B/E" CAP

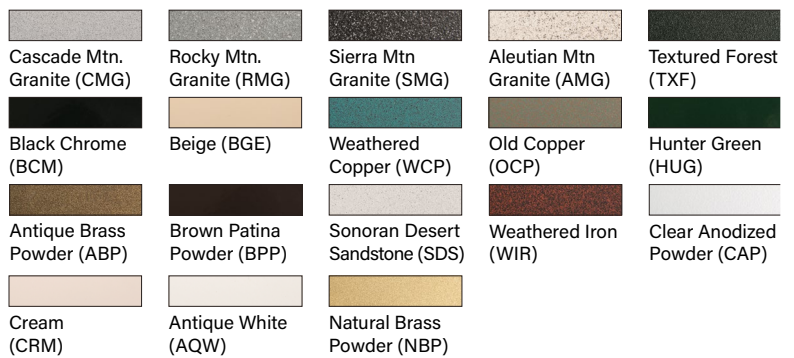


"C" CAP

STANDARD FINISHES



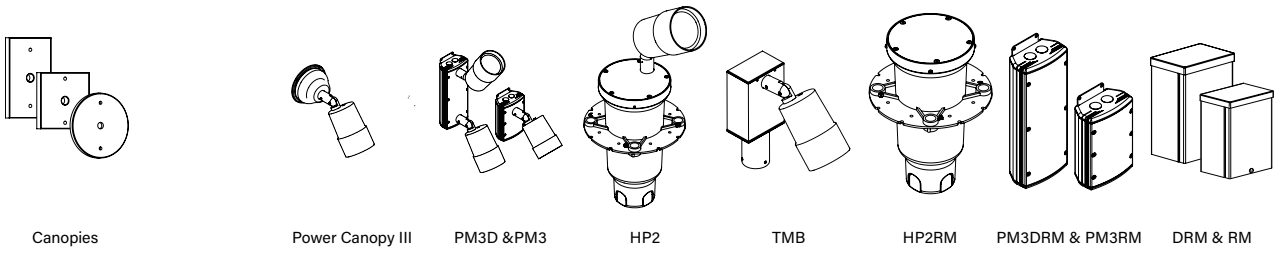
PREMIUM FINISHES



[Click Here](#) to view larger, full-color swatches of all available finishes on our website.

DATE: _____ PROJECT: _____ TYPE: _____

ACCESSORIES (Configure separately)



Canopies Power Canopy III PM3D & PM3 HP2 TMB HP2RM PM3DRM & PM3RM DRM & RM

SPECIFICATIONS

ELECTRICAL	WATTAGE	34W, 42W, or 57W LED
	WIRING	Teflon® coated, 18AWG, 600V, 250° C rated and certified to UL 1659 standard. Leads extend 6" beyond knuckle.
	REMOTE DRIVER	For use with remote LED Driver. See remote driver submittal(s) to determine remote distance, dimming range, and wiring requirements prior to detailing field installation of any remote wiring.
PHYSICAL	MATERIALS	Furnished in copper-free aluminum (6061-T6).
	BODY	Unibody design with enclosed, water-proof wireway and integral heat sink is fully machined from solid billet.
	KNUCKLE	360HD Mounting System features a mechanical taperlock, allowing full 180° vertical adjustment without the use of aim-limiting serrated teeth. High temperature, silicone 'O' Ring provides water-tight seal and compressive resistance to maintain fixture position. Design withstands 73 lbs. static load prior to movement for optical alignment with a ½" pipe thread for mounting. Biaxial source control additionally provides 360° horizontal rotation in addition to vertical adjustment. Aim & Lock technology allows precision adjustment without the redundant tightening and loosening of knuckle screw. 360HD hardware is stainless steel with black oxide treatment for additional corrosion resistance.
	CAP	Fully machined and accommodates one (1) lens or louver media.
	LENS	Shock-resistant, tempered glass lens is factory adhered to fixture cap and provides hermetically sealed optical compartment.
	LED	Integrated solid state system and modular design with electrical disconnects allow for easy field upgrade and maintenance. LM-80 certified. Minimum 50,000 hour rated life at 70% of initial lumens (L70). LED technology provides long life, significant energy reduction and exceptional thermal management.
	COLOR MANAGEMENT	Chip on board technology delivers natural white light. Exact color point conformity exceeds ANSI C78.377 standard. Module exceeds 80 CRI (RA>80, R9.16). Color point uniformity 2 SDCM color control for 2700K-4000K CCT.
	OPTICS	Interchangeable OPTIKIT modules permit optical field changes. Color-code: Narrow Spot (NSP) = red; Spot (SP) = green; Medium Flood (MFL) = yellow; Wide Flood (WFL) = blue.
	WATER MANAGEMENT	Patented Anti-Condensation Valve (ACV) vacuum seals optical chamber and eliminates internal condensation. Spring loaded exterior mounted ACV button facilitates removal of vacuum sealed cap for service and re-initiates vacuum seal through normal fixture operation.
	HARDWARE	Tamper-resistant, stainless steel hardware. 360HD hardware is black oxide treated for additional corrosion resistance.
	FINISH	StarGuard, our 15-stage chromate-free process cleans and conversion coats aluminum components prior to application of Class 'A' TGIC polyester powder coating and is RoHS compliant.
WARRANTY	5-year limited warranty.	
CERTIFICATION & LISTING	ITL tested to IESNA LM-79. UL Listed. Certified to CAN/CSA/ANSI Standards. RoHS compliant. Suitable for indoor or outdoor use, in wet locations, and for installation within 4' of the ground. IP66 Rated. Made in the USA with sustainable processes.	



LAMP & DRIVER DATA (x43, x44, x45, x46, x47, x48, x49, x50, x51)

DATE:

PROJECT:

TYPE:

LM79 DATA

L70 DATA

OPTICAL DATA

BK No.	CCT (Typ.)	CRI (Typ.)	Input Watts (Typ.)	Minimum Rated Life (hrs.) 70% of initial lumens (L ₇₀)	Angle	CBCP	Delivered Lumens
x43	2700K	80	34W	50,000	18°	1918	2591
	2700K	80	34W	50,000	25°	5435	1915
	2700K	80	34W	50,000	40°	3840	2212
	2700K	80	34W	50,000	60°	2697	1860
x44	3000K	80	34W	50,000	18°	19949	2703
	3000K	80	34W	50,000	25°	5672	1998
	3000K	80	34W	50,000	40°	4007	2308
	3000K	80	34W	50,000	60°	2814	1941
x45	4000K	80	34W	50,000	18°	20780	2816
	4000K	80	34W	50,000	25°	5908	2081
	4000K	80	34W	50,000	40°	4174	2404
	4000K	80	34W	50,000	60°	2931	2022
x46	2700K	80	42W	50,000	18°	~	~
	2700K	80	42W	50,000	25°	15755	3817
	2700K	80	42W	50,000	40°	4985	3288
	2700K	80	42W	50,000	60°	3386	2707
x47	3000K	80	42W	50,000	18°	~	~
	3000K	80	42W	50,000	25°	16805	4071
	3000K	80	42W	50,000	40°	5317	3507
	3000K	80	42W	50,000	60°	3612	2888
x48	4000K	80	42W	50,000	18°	~	~
	4000K	80	42W	50,000	25°	17505	4241
	4000K	80	42W	50,000	40°	5539	3653
	4000K	80	42W	50,000	60°	3725	3008
x49	2700K	80	57W	50,000	18°	~	~
	2700K	80	57W	50,000	25°	20563	4958
	2700K	80	57W	50,000	40°	6507	4271
	2700K	80	57W	50,000	60°	4420	3517
x50	3000K	80	57W	50,000	18°	~	~
	3000K	80	57W	50,000	25°	22181	5348
	3000K	80	57W	50,000	40°	7019	4607
	3000K	80	57W	50,000	60°	4767	3794
x51	4000K	80	57W	50,000	18°	~	~
	4000K	80	57W	50,000	25°	23105	5571
	4000K	80	57W	50,000	40°	7311	4799
	4000K	80	57W	50,000	60°	4966	3952

OPTICS

Optic	Angle
Narrow Spot	18°
Narrow Flood	25°
Flood	40°
Wide Flood	60°

B-K LIGHTING

MADE IN THE USA

559.438.5800 | INFO@BKLIGHTING.COM | BKLIGHTING.COM

THIS DOCUMENT CONTAINS PROPRIETARY INFORMATION OF B-K LIGHTING, INC. AND ITS RECEIPT OR POSSESSION DOES NOT CONVEY ANY RIGHTS TO REPRODUCE, DISCLOSE ITS CONTENTS, OR TO MANUFACTURE, USE OR SELL ANYTHING IT MAY DESCRIBE. REPRODUCTION, DISCLOSURE OR USE WITHOUT SPECIFIC WRITTEN AUTHORIZATION OF B-K LIGHTING, INC. IS STRICTLY FORBIDDEN.