

# ALTAIR LED

DATE:

PROJECT:

TYPE:

CATALOG NUMBER LOGIC:



*\*For use with 0-10 Dimming. 10-100%*

## CATALOG NUMBER LOGIC

Example: AT - LED - e115 - SN - 010 - LXS - YM-MS - BZW - MT

## MATERIAL

Aluminum

## SOURCE

LED - with Integral Driver

## SERIES

AT - Altair Large Format Floodlight

## LED TYPE

e114 - 90W LED/2700K      e158 - 146W LED/2700K

e115 - 90W LED/3000K      e159 - 146W LED/3000K

e119 - 90W LED/3500K      e160 - 146W LED/3500K

e116 - 90W LED/4000K      e161 - 146W LED/4000K

e117 - 90W LED/5000K      e162 - 146W LED/5000K

## OPTICS

VNSP - Very Narrow Spot (8.4°x8.1°) NEMA 2      SP - Spot (16.3°) NEMA 3

FL - Flood (46.8°) NEMA 4      MFL - Medium Flood (37°) NEMA 5

WFL - Wide Flood (58.1°) NEMA 5      ASY - Asymmetric (86.2°x74.5°) NEMA 5X6

## CONTROL TYPE

(Blank) - No Dimming (For use with e158, e159, e160, e161, e162 LEDs)\*

010 - Dimming Driver (For use with e114, e115, e116, e117, e119 LEDs)\*

## ACCESSORIES

0 - No Accessories

3S - 3 Sided Shield      4S - 4 Sided Shield      LS - Fixed Louver Shield (external)

LXS - Lexan Shield      TS - Top Shield

## MOUNTING

YM - Yoke Mount

YM-HS - Yoke Mount with Horizontal Sector

YM-MS - Yoke Mount with Mounting Stud

YM-SF - Yoke Mount with Slipfitter

YM-MP - Yoke Mount with Slipfitter and Mounting Plate

YM-WA - Yoke Mount Wall Pole Mounting Arm

YM-WB - Yoke Mount with Wall Bracket

KS - Knuckle Slipfitter

KS-MP - Knuckle Slipfitter with Mounting Plate

KS-WA - Knuckle Slipfitter with Wall Pole Mounting Arm

## FINISH (See page 2 for full-color swatches)

Standard Finishes (BZP, BZW, BLP, BLW, WHP, WHW, SAP, VER)

Premium Finish (ABP, AMG, AQW, BCM, BGE, BPP, CAP, CMG, CRM, HUG, NBP, OCP, RMG, SDS, SMG, TXF, WCP, WIR)

Also available in RAL Finishes

## INPUT VOLTAGE

MT - 120 VAC-277 VAC INPUT

**B-K LIGHTING**

**MADE IN THE USA**

559.438.5800 | INFO@BKLIGHTING.COM | BKLIGHTING.COM

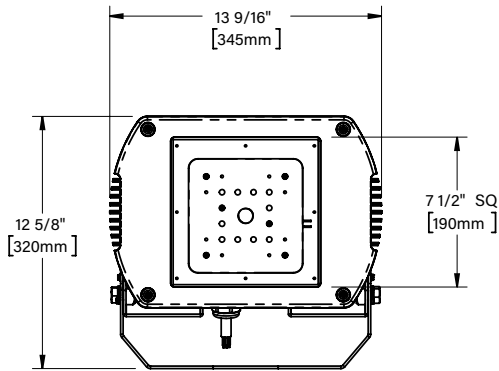
# ALTAIR LED

DATE:

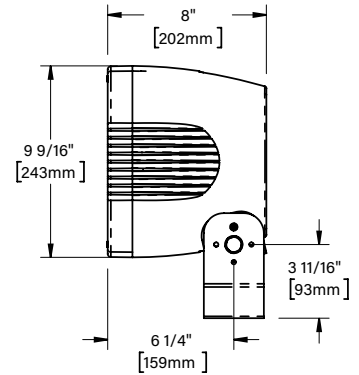
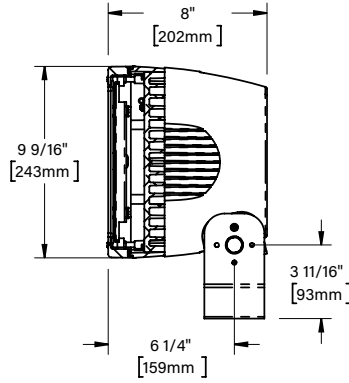
PROJECT:

TYPE:

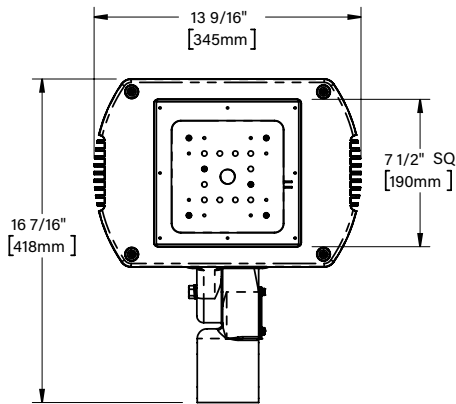
## YOKE MOUNT



EPA ≈ .91ft<sup>2</sup>  
WEIGHT ≈ 25.0lbs

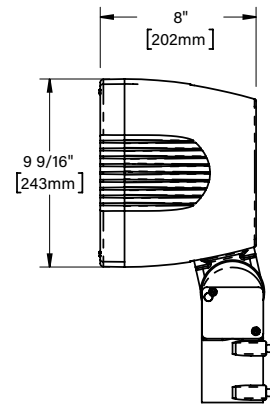
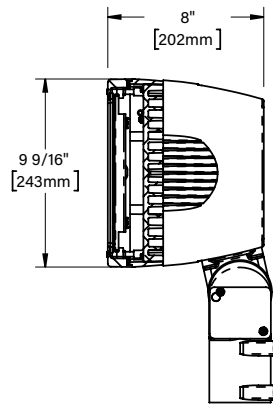


EPA ≈ 1.00ft<sup>2</sup>



2" POLE TENON MOUNT  
(2-3/8"OD) BY OTHERS

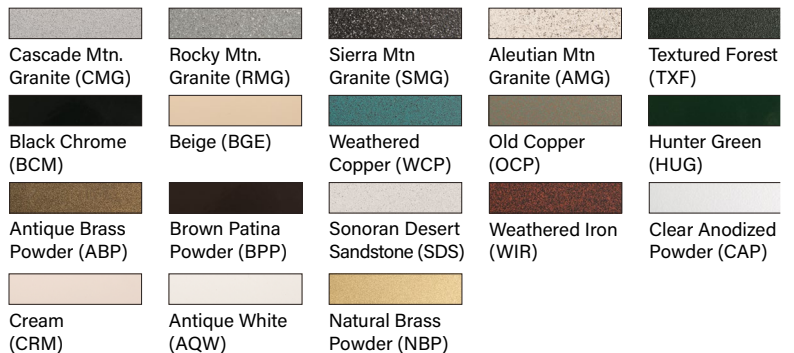
## KNUCKLE SLIPFITTER



### STANDARD FINISHES



### PREMIUM FINISHES



[Click Here](#) to view larger, full-color swatches of all available finishes on our website.

**B-K LIGHTING**

**MADE IN THE USA**

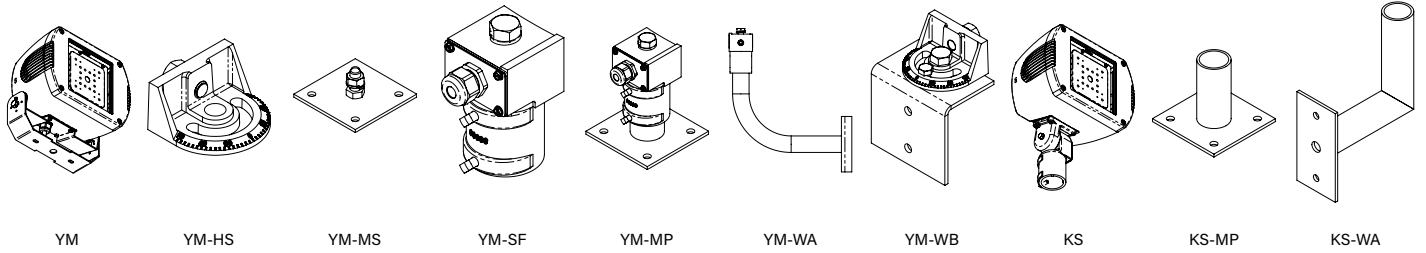
559.438.5800 | [INFO@BKLIGHTING.COM](mailto:INFO@BKLIGHTING.COM) | [BKLIGHTING.COM](http://BKLIGHTING.COM)

# ALTAIR LED




DATE: \_\_\_\_\_ PROJECT: \_\_\_\_\_ TYPE: \_\_\_\_\_

ACCESSORIES (Configure separately)

Drivers (Configure separately)



## SPECIFICATIONS

ELECTRICAL	WATTAGE	146W LED or 90W LED
	DRIVER	Integral mounted and prewired. All components UL and CSA recognized. Available in 120-277 volts.
	WIRING	Luminaires with yoke mounting supplied prewired to three feet of 16/3 STW cord. Cord is secured to enclosure with a watertight strain relief. Luminaires with knuckle slipfitter mounting supplied and prewired to power leads inside slipfitter's wiring compartment.
PHYSICAL	HOUSING	One-piece A-360 aluminum alloy die-cast (less than 1% copper content). Concealed, single piece high temperature closed cell silicone gasket between housing and door frame.
	LENS/DOOR ASSEMBLY	One-piece A-360 aluminum alloy diecast (less than 1% copper content) frame secures the clear tempered thermal and shock resistant glass which is sealed to the frame with a closed cell silicone gasket and secured with aluminum retainer. Door assembly attached to housing with four series 300 stainless steel screws (tamper proof).
	LED	An array of 48 LEDs on an aluminum circuit board that is attached to an aluminum extruded heatsink with thermally conductive interface material used to maximize heat transfer. The LED and heatsink assembly is fully enclosed inside the housing.
	MOUNTING	Choice of heavy gauge, die-formed hot rolled steel yoke or heavy duty knuckle slipfitter for standard 2 inch pole tenon mounting (2-3/8" OD) by others
	FINISH	StarGuard, our 15-stage chromate-free process cleans and conversion coats aluminum components prior to application of Class 'A' TGIC polyester powder coating and is RoHS compliant.
	CERTIFICATION & LISTING	Suitable for wet locations. UL cULus 1598 and 8750 Listed. Complies with IES-79 & LM-80 Standards. RoHS compliant.
  		

**B-K LIGHTING**

**MADE IN THE USA**

559.438.5800 | INFO@BKLIGHTING.COM | BKLIGHTING.COM

THIS DOCUMENT CONTAINS PROPRIETARY INFORMATION OF B-K LIGHTING, INC. AND ITS RECEIPT OR POSSESSION DOES NOT CONVEY ANY RIGHTS TO REPRODUCE, DISCLOSE ITS CONTENTS, OR TO MANUFACTURE, USE OR SELL ANYTHING IT MAY DESCRIBE. REPRODUCTION, DISCLOSURE OR USE WITHOUT SPECIFIC WRITTEN AUTHORIZATION OF B-K LIGHTING, INC. IS STRICTLY FORBIDDEN.

12/06/2022 SKU-1223  
SUB-2577-00

# LAMP & DRIVER DATA

DATE: \_\_\_\_\_ PROJECT: \_\_\_\_\_ TYPE: \_\_\_\_\_

L70 DATA FORMAT					OPTICAL DATA				
BK NO.	CCT (Typ.)	CRI (Typ.)	Input Watts (Typ.)	L70 Data	NEMA Rating	Angle	CBCP	Delivered Lumens	Multiplier
e114	2700	80	90	50,000	NEMA 2	7.5	180605	8273	0.86
e114	2700	80	90	50,000	NEMA 3	16.3	75103	8722	0.86
e114	2700	80	90	50,000	NEMA 4	46.8	15462	8773	0.86
e114	2700	80	90	50,000	NEMA 5	37.0	18042	9742	0.86
e114	2700	80	90	50,000	NEMA 5	58.1	7825	9178	0.86
e114	2700	80	90	50,000	NEMA 5x6	86.2 x 74.5	6130	9105	0.86
e114	2700	80	90	50,000	NEMA2	9.2 x 6.9	139880	7190	0.86
e115	3000	80	90	50,000	NEMA2	7.5	196786	9014	0.94
e115	3000	80	90	50,000	NEMA 3	16.3	81832	9503	0.94
e115	3000	80	90	50,000	NEMA 4	46.8	16848	9559	0.94
e115	3000	80	90	50,000	NEMA 5	37.0	19659	10614	0.94
e115	3000	80	90	50,000	NEMA 5	58.1	8526	10001	0.94
e115	3000	80	90	50,000	NEMA 5x6	86.2 x 74.5	6679	9921	0.94
e115	3000	80	90	50,000	NEMA2	9.2 x 6.9	152412	7834	0.94
e119	3500	80	90	50,000	NEMA2	7.5	206272	9448	0.99
e119	3500	80	90	50,000	NEMA 3	16.3	85777	9961	0.99
e119	3500	80	90	50,000	NEMA 4	46.8	17660	10020	0.99
e119	3500	80	90	50,000	NEMA 5	37.0	20606	11126	0.99
e119	3500	80	90	50,000	NEMA 5	58.1	8937	10483	0.99
e119	3500	80	90	50,000	NEMA 5x6	86.2 x 74.5	7001	10399	0.99
e119	3500	80	90	50,000	NEMA2	9.2 x 6.9	159760	8211	0.99
e116	4000	80	90	50,000	NEMA2	7.5	200644	9191	0.96
e116	4000	80	90	50,000	NEMA 3	16.3	83436	9689	0.96
e116	4000	80	90	50,000	NEMA 4	46.8	17178	9746	0.96
e116	4000	80	90	50,000	NEMA 5	37.0	20044	10823	0.96
e116	4000	80	90	50,000	NEMA 5	58.1	8693	10197	0.96
e116	4000	80	90	50,000	NEMA 5x6	86.2 x 74.5	6810	10115	0.96
e116	4000	80	90	50,000	NEMA2	9.2 x 6.9	155400	7987	0.96
e117	5000	80	90	50,000	NEMA2	7.5	208996	9573	1.00
e117	5000	80	90	50,000	NEMA 3	16.3	86909	10093	1.00
e117	5000	80	90	50,000	NEMA 4	46.8	17893	10152	1.00
e117	5000	80	90	50,000	NEMA 5	37.0	20879	11273	1.00
e117	5000	80	90	50,000	NEMA 5	58.1	9055	10621	1.00
e117	5000	80	90	50,000	NEMA 5x6	86.2 x 74.5	7094	10536	1.00
e117	5000	80	90	50,000	NEMA2	9.2 x 6.9	161869	8320	1.00

OPTICS	
7.5°	VNSP
16.3°	SP
46.8°	FL NEMA 4
37°	MFL
58.1°	WFL NEMA 5
86.2 x 74.5°	ASY

**B-K LIGHTING**

**MADE IN THE USA**

559.438.5800 | INFO@BKLIGHTING.COM | BKLIGHTING.COM

THIS DOCUMENT CONTAINS PROPRIETARY INFORMATION OF B-K LIGHTING, INC. AND ITS RECEIPT OR POSSESSION DOES NOT CONVEY ANY RIGHTS TO REPRODUCE, DISCLOSE ITS CONTENTS, OR TO MANUFACTURE, USE OR SELL ANYTHING IT MAY DESCRIBE. REPRODUCTION, DISCLOSURE OR USE WITHOUT SPECIFIC WRITTEN AUTHORIZATION OF B-K LIGHTING, INC. IS STRICTLY FORBIDDEN.

# LAMP & DRIVER DATA

DATE: \_\_\_\_\_ PROJECT: \_\_\_\_\_ TYPE: \_\_\_\_\_

L70 DATA FORMAT					OPTICAL DATA				
BK NO.	CCT (Typ.)	CRI (Typ.)	Input Watts (Typ.)	L70 Data	NEMA Rating	Angle	CBCP	Delivered Lumens	Multiplier
e158	2700	80	146	50,000	NEMA 2	8.4 x 8.1	224096	11351	0.86
e158	2700	80	146	50,000	NEMA 3	16.3	103047	11967	0.86
e158	2700	80	146	50,000	NEMA 4	46.8	21215	12037	0.86
e158	2700	80	146	50,000	NEMA 5	37.0	24755	13366	0.86
e158	2700	80	146	50,000	NEMA 5	58.1	10736	12593	0.86
e158	2700	80	146	50,000	NEMA 5x6	86.2 x 74.5	8411	12493	0.86
e159	3000	80	146	50,000	NEMA2	8.4 x 8.1	244174	12368	0.94
e159	3000	80	146	50,000	NEMA 3	16.3	112279	13039	0.94
e159	3000	80	146	50,000	NEMA 4	46.8	23116	13116	0.94
e159	3000	80	146	50,000	NEMA 5	37.0	26973	14564	0.94
e159	3000	80	146	50,000	NEMA 5	58.1	11698	13721	0.94
e159	3000	80	146	50,000	NEMA 5x6	86.2 x 74.5	9165	13612	0.94
e160	3500	80	146	50,000	NEMA2	8.4 x 8.1	255945	12964	0.99
e160	3500	80	146	50,000	NEMA 3	16.3	117692	13667	0.99
e160	3500	80	146	50,000	NEMA 4	46.8	24231	13748	0.99
e160	3500	80	146	50,000	NEMA 5	37.0	28273	15266	0.99
e160	3500	80	146	50,000	NEMA 5	58.1	12262	14383	0.99
e160	3500	80	146	50,000	NEMA 5x6	86.2 x 74.5	9606	14268	0.99
e161	4000	80	146	50,000	NEMA2	8.4 x 8.1	248960	12610	0.96
e161	4000	80	146	50,000	NEMA 3	16.3	114481	13295	0.96
e161	4000	80	146	50,000	NEMA 4	46.8	23569	13373	0.96
e161	4000	80	146	50,000	NEMA 5	37.0	27502	14849	0.96
e161	4000	80	146	50,000	NEMA 5	58.1	11927	13990	0.96
e161	4000	80	146	50,000	NEMA 5x6	86.2 x 74.5	9344	13879	0.96
e162	5000	80	146	50,000	NEMA2	8.4 x 8.1	259325	13135	1.00
e162	5000	80	146	50,000	NEMA 3	16.3	119246	13848	1.00
e162	5000	80	146	50,000	NEMA 4	46.8	24550	13929	1.00
e162	5000	80	146	50,000	NEMA 5	37.0	28647	15467	1.00
e162	5000	80	146	50,000	NEMA 5	58.1	12424	14573	1.00
e162	5000	80	146	50,000	NEMA 5x6	86.2 x 74.5	9733	14457	1.00

OPTICS	
8.4 x 8.1	VNSP
16.3	SP
46.8	FL
37	MFL
58.1	WFL
86.2 x 74.5	ASY

**B-K LIGHTING**

**MADE IN THE USA**

559.438.5800 | INFO@BKLIGHTING.COM | BKLIGHTING.COM

THIS DOCUMENT CONTAINS PROPRIETARY INFORMATION OF B-K LIGHTING, INC. AND ITS RECEIPT OR POSSESSION DOES NOT CONVEY ANY RIGHTS TO REPRODUCE, DISCLOSE ITS CONTENTS, OR TO MANUFACTURE, USE OR SELL ANYTHING IT MAY DESCRIBE. REPRODUCTION, DISCLOSURE OR USE WITHOUT SPECIFIC WRITTEN AUTHORIZATION OF B-K LIGHTING, INC. IS STRICTLY FORBIDDEN.