

DATE:	PROJECT:	TYPE:
-------	----------	-------

CATALOG NUMBER LOGIC:



Driver housing required. Configure separately.

**Standard with Wall Wash Optic.*

***Not available with Wall Wash Optic.*

****The 360SL cost is already included in the price of UPM, UPM dual, and Power Canopy.*

CATALOG NUMBER LOGIC

Example: SA - LED - x52 - WW - BLP - 9 - 11 - CV - 360SL

MATERIAL

Aluminum

SERIES

SA - Saratoga

SOURCE

LED - Chip on Board Technology

LED TYPE

x52 - 10W LED/2700K x53 - 10W LED/3000K x54 - 10W LED/4000K

OPTICS

SP - Spot (20°) WFL - Wide Flood (50°) WW - Wall Wash

FINISH (See page 2 for full-color swatches)

Standard Finishes (BZP, BZW, BLP, BLW, WHP, WHW, SAP, VER)

Premium Finish (ABP, AMG, AQW, BCM, BGE, BPP, CAP, CMG, CRM, HUG, NBP, OCP, RMG, SDS, SMG, TXF, WCP, WIR)

Also available in RAL Finishes

LENS TYPE

9 - Clear (Standard)

13 - Rectilinear*

SHIELDING

11 - Honeycomb Baffle**

ACCESSORIES

CV - Cutoff Visor

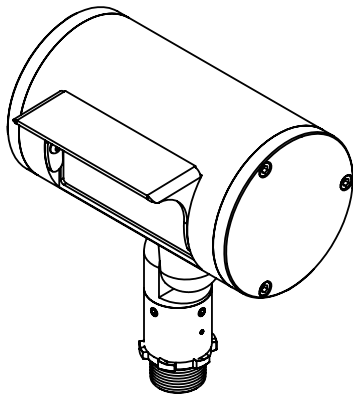
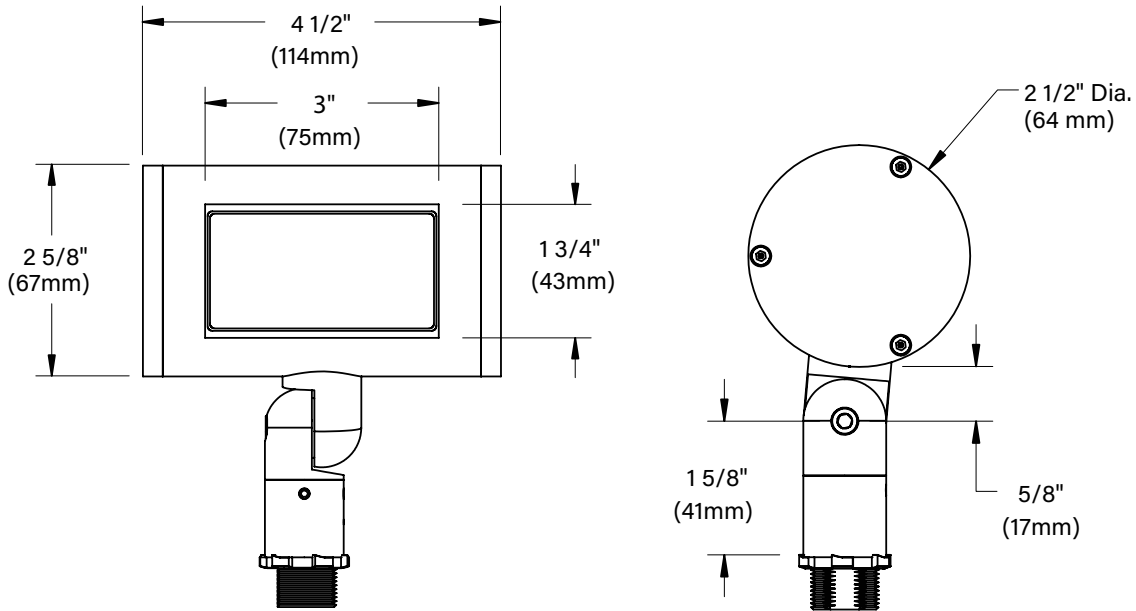
CS - Cutoff Snoot

BD - Adjustable Barn Doors

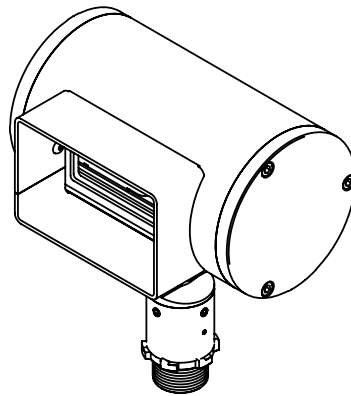
OPTIONS

360SL - Knuckle Mounting System***

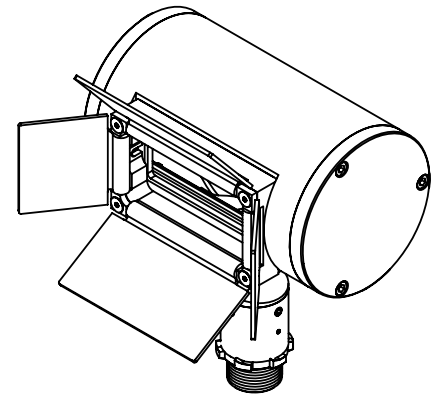
DATE: _____ PROJECT: _____ TYPE: _____



Cutoff Visor



Cutoff Snoot

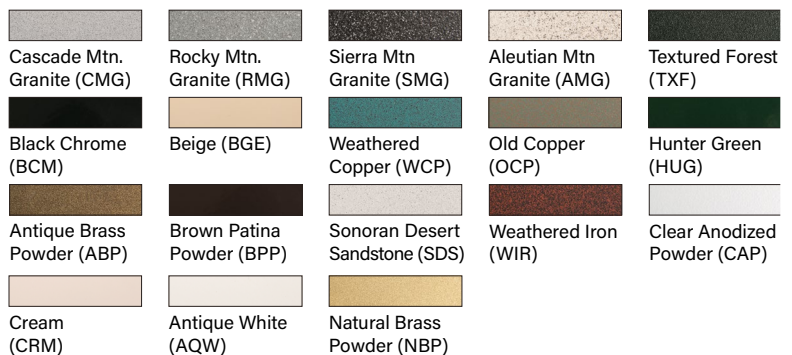


Adjustable Barn Doors

STANDARD FINISHES



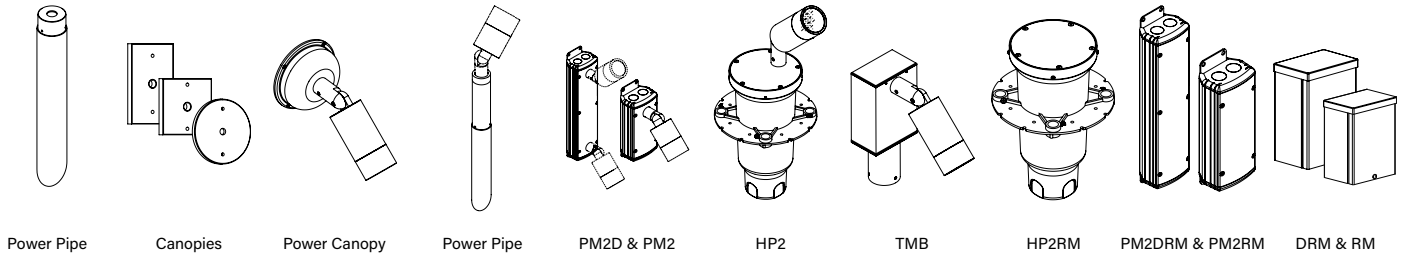
PREMIUM FINISHES



[Click Here](#) to view larger, full-color swatches of all available finishes on our website.

DATE: _____ PROJECT: _____ TYPE: _____

ACCESSORIES (Configure separately)



SPECIFICATIONS

ELECTRICAL	<p>WATTAGE WIRING REMOTE DRIVER</p>	<p>10W LED 18GA, Stranded, XLPE, 300V, 150° C rated. For use with remote LED driver. See remote driver submittal to determine remote distance and wiring requirements prior to detailing field installation of any remote wiring.</p>
PHYSICAL	<p>MATERIALS BODY KNUCKLE LENS LED COLOR MANAGEMENT OPTICS ACCESSORIES HARDWARE FINISH WARRANTY CERTIFICATION & LISTING</p>	<p>Furnished in copper-free aluminum (6061-T6). Enclosed, water-proof wireway with machined end caps gasketed to create a water-tight seal for optical compartment. LOCK Knuckle is integral to the body and features an interior taper machined from solid billet and a second, reverse angle taper allowing full 180° vertical adjustment without the use of aim-limiting serrated teeth. High temperature, silicone 'O' Ring provides water-tight seal and compressive resistance to maintain fixture position. Design withstands 73 lbs. static load prior to movement for optical alignment with a ½" pipe thread for mounting. Optional 360SL provides biaxial source control with 360° horizontal rotation in addition to vertical adjustment. Shock-resistant, tempered glass lens is factory adhered to fixture cap and provides hermetically sealed optical compartment. Integrated solid state system and modular design with electrical disconnects allow for easy field upgrade and maintenance. LM-80 certified. Minimum 50,000 hour rated life at 70% of initial lumens (L70). LED technology provides long life, significant energy reduction and exceptional thermal management. Chip on board technology delivers natural white light. Exact color point conformity exceeds ANSI C78.377 standard. Module exceeds 80 CRI (RA>80, R9.16). Color point uniformity 2 SDCM color control for 2700K-4000K CCT. Interchangeable optics permit optical field changes. Three (3) accessory options for optimum lighting control. Tamper-resistant, stainless steel hardware. LOCK hardware is black oxide treated for additional corrosion resistance. StarGuard, our 15-stage chromate-free process cleans and conversion coats aluminum components prior to application of Class 'A' TGIC polyester powder coating and is RoHS compliant. 5-year limited warranty. ITL tested to IESNA LM-79. UL Listed. Certified to CAN/CSA/ANSI Standards. RoHS compliant. Suitable for indoor or outdoor use, in wet locations, and for installation within 4' of the ground. IP66 Rated. Made in the USA with sustainable processes.</p>



LAMP & DRIVER DATA (x52, x53, x54)

DATE:

PROJECT:

TYPE:

DRIVER ELECTRICAL DATA

Type	AC Input Range	Frequency Hz	Power Factor At Full Load (Efficiency)	THD	InRush Current	Operating Current	Operation Ambient Temperature	Dimmer Type	Dimmer Range
INC	120-277VAC	50/60	> 0.9	<20%	n/a	350mA	-30° C ~ 90°C	TRIAC/ELV (120V)	1-100%
0-10	120-277VAC	50/60	> 0.9	<20%	n/a	350mA	-30° C ~ 90°C	0-10V Dimming	1-100%

LM79 DATA

BK No.	CCT (Typ.)	CRI (Typ.)	Input Watts (Typ.)
x52	2700K	80	10W
	2700K	80	10W
	2700K	80	10W
x53	3000K	80	10W
	3000K	80	10W
	3000K	80	10W
x54	4000K	80	10W
	4000K	80	10W
	4000K	80	10W

L70 DATA

Minimum Rated Life (hrs.) 70% of initial lumens (L ₇₀)
50,000
50,000
50,000
50,000
50,000
50,000
50,000
50,000
50,000

OPTICAL DATA

Angle	Delivered Lumens
20°	904.9
50°	1306.1
111.8 x 83.8	479.4
20°	945.5
50°	1364.8
111.8 x 83.8	484.8
20°	1016.7
50°	1467.5
111.8 x 83.8	538.7

OPTICS

Optic	Angle
Spot	20°
Flood	50°
Wall Wash	111.8 x 83.8

B-K LIGHTING

MADE IN THE USA

559.438.5800 | INFO@BKLIGHTING.COM | BKLIGHTING.COM

THIS DOCUMENT CONTAINS PROPRIETARY INFORMATION OF B-K LIGHTING, INC. AND ITS RECEIPT OR POSSESSION DOES NOT CONVEY ANY RIGHTS TO REPRODUCE, DISCLOSE ITS CONTENTS, OR TO MANUFACTURE, USE OR SELL ANYTHING IT MAY DESCRIBE. REPRODUCTION, DISCLOSURE OR USE WITHOUT SPECIFIC WRITTEN AUTHORIZATION OF B-K LIGHTING, INC. IS STRICTLY FORBIDDEN.

04/22/2020
SUB-2783-01