

DATE: _____ PROJECT: _____ TYPE: _____

CATALOG NUMBER LOGIC:



CATALOG NUMBER LOGIC

Example: SN - 30 - D - LED - e65 - SP - A7 - WHW - 12 - 11 - A - PC-TRe20

MATERIAL

Aluminum

SERIES

SN - Sign Star

STEM LENGTH

18" (Standard), 24", 30", 36", *42", or *48"

STYLE

D - Dual Bend, 90° Radius with 45° RLM Reflector

SOURCE

LED - with Integral Dimming Driver**

LED TYPE

e64 - 7W LED/2700K	e79 - 7W LED/2700K 90CRI
e65 - 7W LED/3000K	e80 - 7W LED/3000K 90CRI
e66 - 7W LED/4000K	e81 - 7W LED/3500K 80CRI
e74 - 7W LED/Amber	

OPTICS

NSP - Narrow Spot (13°)	MFL - Medium Flood (23°)
SP - Spot (16°)	WFL - Wide Flood (31°)

ADJUST-E-LUME OUTPUT INTENSITY***

A9 (Standard), A8, A7, A6, A5, A4, A3, A2, A1

FINISH (See page 2 for full-color swatches)

Standard Finishes (BZP, BZW, BLP, BLW, WHP, WHW, SAP, VER)

Premium Finish (ABP, AMG, AQW, BCM, BGE, BPP, CAP, CMG, CRM, HUG, NBP, OCP, RMG, SDS, SMG, TXF, WCP, WIR)

(Also available in RAL Finishes. See submittal SUB-1439-00)

LENS TYPE****

12 - Soft Focus 13 - Rectilinear

SHIELDING****

11 - Honeycomb Baffle

OPTIONS

PC-TRe20 - Power Canopy with TRe20 Electronic Transformer (105-300 VAC. 50/60 Hz. Non-Dimming)*

UPM - Universal Power Module

MOD OPTIONS

5 - 5 Ft Leads

25 - 25 Ft Leads

*36" maximum stem length with Power Canopy option.

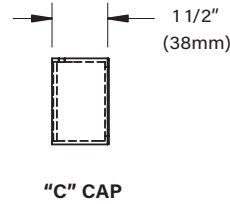
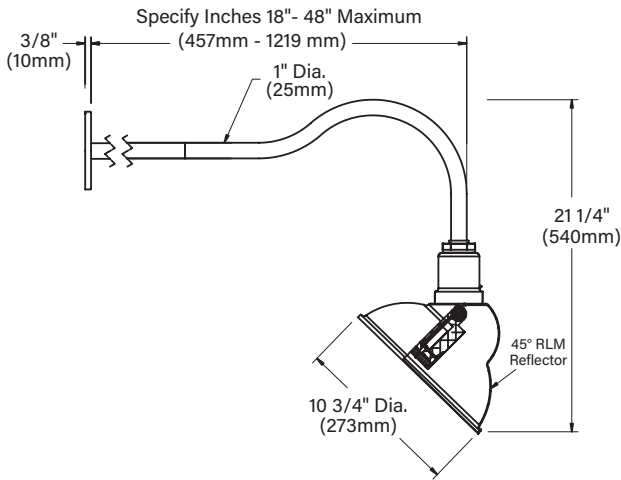
**Designed for use with 12 VAC. LED transformer. Requires magnetic low voltage dimmer.

***Please see Adjust-e-Lume photometry to determine desired intensity.

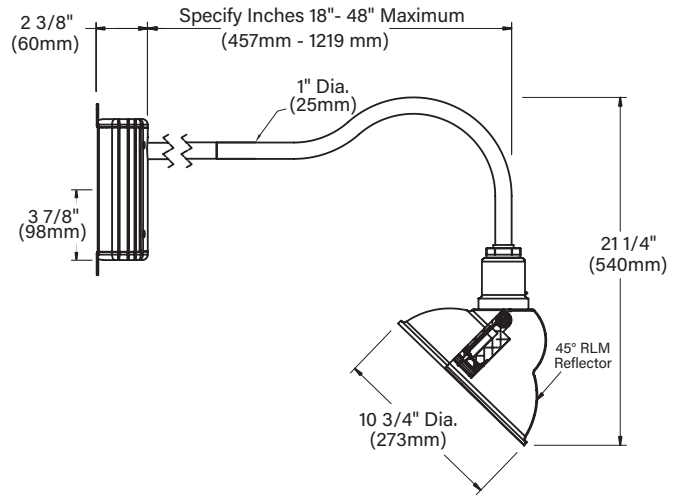
****Accommodates up to 2 lens/shielding media.

DATE: _____ PROJECT: _____ TYPE: _____

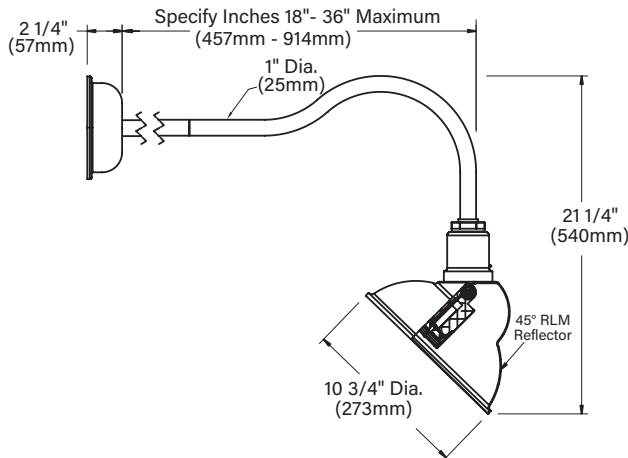
CANOPY - SIDE VIEW



UPM - SIDE VIEW



PC - SIDE VIEW



STANDARD FINISHES



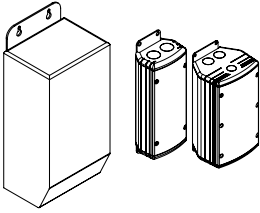
PREMIUM FINISHES



[Click Here](#) to view larger, full-color swatches of all available finishes on our website.

DATE: _____ PROJECT: _____ TYPE: _____

ACCESSORIES (Configure separately)



TR Series

UPMRM

SPECIFICATIONS

ELECTRICAL	WATTAGE	7W LED
	ADJUST-E-LUME	Integral electronics allows dynamic lumen response at the individual fixture. Indexed (100% to 25% nom.) lumen output. Maintains output at desired level or may be changed as conditions require. Specify factory preset output intensity.
	OPERATING VOLTAGE	PVC coated, 18AWG, 150V, 60°C rated and certified to UL 1838 standard.
	REMOTE TRANSFORMER	For use with 12VAC remote transformer or magnetic transformers only. B-K Lighting cannot guarantee performance with third party manufacturers' transformers.
PHYSICAL	MATERIALS	Furnished in copper-free aluminum (6061-T6).
	STYLE	D style features dual bend, 90° radius from fixture to stem. Integral, fully adjustable fixture is positioned beneath a 10-3/4" dia. RLM reflector with 45° cutoff.
	BODY	Unibody design is fully machined from solid billet and provides enclosed, water-proof wireway and integral heat sink for maximum component life. Integral knuckle for maximum mechanical strength. High temperature, silicone 'O' Ring provides water-tight seal.
	KNUCKLE	LOCK Knuckle is integral to the body and features an interior taper machined from solid billet and a second, reverse angle taper allowing full 180° vertical adjustment without the use of aim-limiting serrated teeth. High temperature, silicone 'O' Ring provides water-tight seal and compressive resistance to maintain fixture position. Design withstands 73 lbs. static load prior to movement for optical alignment with a 1/2" pipe thread for mounting.
	CAP	Fully machined and accommodates up to 2 lens/shielding media.
	STEM	Fully machined, 1" dia. with internal threads for maximum visual appeal. Available in configurable lengths to 48" maximum.
	LENS	Shock-resistant, tempered glass lens is factory adhered to fixture cap and provides hermetically sealed optical compartment.
	LED	Integrated solid state system. High power, forward throw source complies with ANSI C78.377 binning requirements. Exceeds ENERGY STAR® lumen maintenance requirements. LM-80 certified components. Integral non-dimming driver. Minimum 50,000 hour rated life at 70% of initial lumens (L70). LED technology provides long life, significant energy reduction and exceptional thermal management.
	DIMMING	Line voltage dimmable via magnetic low voltage dimmer with dedicated neutral conductor. For purposes of dimming: Remote magnetic transformer with LED loads should be loaded to 25% of the transformer VA (watts) rated value.
	OPTICS	Interchangeable, color-coded OPTIKIT modules permit field changes to optical distribution.
	INSTALLATION	5" dia., machined canopy permits mounting to 4" octagonal junction box. Junction box installation must be designed to hold full fulcrum weight of fixture (junction box and gasket by others).
	HARDWARE	Tamper-resistant, stainless steel hardware. LOCK aiming screw and canopy mounting screws are black oxide treated for additional corrosion resistance.
	FINISH	StarGuard, our 15-stage chromate-free process cleans and conversion coats aluminum components prior to application of Class 'A' TGIC polyester powder coating and is RoHS compliant. Powder coat or metal finish options available for brass material and metal finish option only for stainless steel material.
	WARRANTY	5-year limited warranty.
CERTIFICATION & LISTING	UL tested to IESNA LM-79. UL listed. Certified to CAN/CSA/ANSI standards. RoHS compliant. Suitable for indoor or outdoor use, in wet locations, and for installation within 4' of the ground. IP66 Rated. Made in the USA with sustainable materials.	



LAMP & DRIVER DATA (e64, e65, e66, e74)

DATE:	PROJECT:	TYPE:
-------	----------	-------

DRIVER DATA	Input Volts	InRush Current	Operating	Dimmable	Operation Ambient Temperature
	12VAC/DC 50/60Hz	<250mA (non-dimmed)	700mA	Magnetic Low Voltage Dimmer	-22°F-194°F (-30°C - 90°C)

LM79 DATA				L70 DATA		OPTICAL DATA			
BK No.	CCT (Typ.)	CRI (Typ.)	Input Watts (Typ.)	Minimum Rated Life (hrs.) 70% of initial lumens (L ₇₀)		Angle	CBCP	Delivered Lumens	Multiplier
e64	2700K	80	7	50,000		13°	5993	456	0.87
	2700K	80	7	50,000		16°	4546	445	0.87
	2700K	80	7	50,000		23°	1726	397	0.87
	2700K	80	7	50,000		31°	1131	399	0.87
e65	3000K	80	7	50,000		13°	6131	466	0.89
	3000K	80	7	50,000		16°	4650	455	0.89
	3000K	80	7	50,000		23°	1766	406	0.89
	3000K	80	7	50,000		31°	1157	409	0.89
e66	4000K	80	7	50,000		13°	6889	524	
	4000K	80	7	50,000		16°	5225	511	
	4000K	80	7	50,000		23°	1984	456	
	4000K	80	7	50,000		31°	1300	459	
e74	Amber	80	7	50,000		13°	3,927	299	0.57
	Amber	80	7	50,000		16°	2,978	291	0.57
	Amber	80	7	50,000		23°	1,131	260	0.57
	Amber	80	7	50,000		31°	741	262	0.57

OPTICS

Optic	Angle
NSP - Narrow Spot	13°
SP - Spot	16°
MFL - Medium Flood	23°
WFL - Wide Flood	31°

B-K LIGHTING

MADE IN THE USA

559.438.5800 | INFO@BKLIGHTING.COM | BKLIGHTING.COM

THIS DOCUMENT CONTAINS PROPRIETARY INFORMATION OF B-K LIGHTING, INC. AND ITS RECEIPT OR POSSESSION DOES NOT CONVEY ANY RIGHTS TO REPRODUCE, DISCLOSE ITS CONTENTS, OR TO MANUFACTURE, USE OR SELL ANYTHING IT MAY DESCRIBE. REPRODUCTION, DISCLOSURE OR USE WITHOUT SPECIFIC WRITTEN AUTHORIZATION OF B-K LIGHTING, INC. IS STRICTLY FORBIDDEN.