

DATE:	PROJECT:	TYPE:
-------	----------	-------

CATALOG NUMBER LOGIC:

**CATALOG NUMBER LOGIC**

Example: AP - PAR38 - 0 - WHP - 9 - 11

**MATERIAL**

Aluminum

**SERIES**

AP - Alpine

**SOURCE**

PAR30 - PAR30 Lamp

PAR38 - PAR38 Lamp

**LAMP TYPE**

0 - PAR30/38 Halogen Lamp (Sourced by others)

**PAR30 LED**

520 - 11W/15DEG/2700K

521 - 11W/25DEG/2700K

522 - 11W/40DEG/2700K

523 - 11W/15DEG/3000K

524 - 11W/25DEG/3000K

525 - 11W/40DEG/3000K

526 - 11W/40DEG/4000K

**PAR38 LED**

530 - 15.5W/15DEG/2700K

531 - 15.5W/25DEG/2700K

532 - 15.5W/40DEG/2700K

533 - 15.5W/15DEG/3000K

534 - 15.5W/25DEG/3000K

535 - 15.5W/40DEG/3000K

536 - 15.5W/40DEG/4000K

**FINISH (See page 2 for full-color swatches)**

Standard Finishes (BZP, BZW, BLP, BLW, WHP, WHW, SAP, VER)

Premium Finish (ABP, AMG, AQW, BCM, BGE, BPP, CAP, CMG, CRM, HUG, NBP, OCP, RMG, SDS, SMG, TXF, WCP, WIR)

Also available in RAL Finishes

**LENS TYPE**

9 - Clear (Standard)

10 - Spread

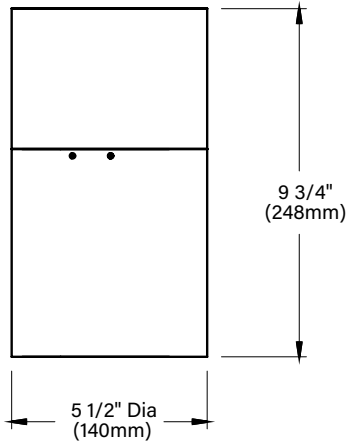
12 - Soft Focus

13 - Rectilinear

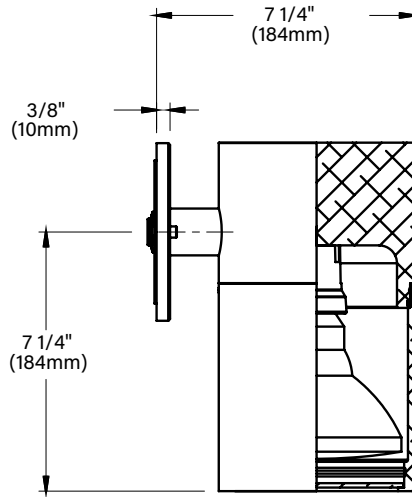
**SHIELDING**

11 - Honeycomb Baffle

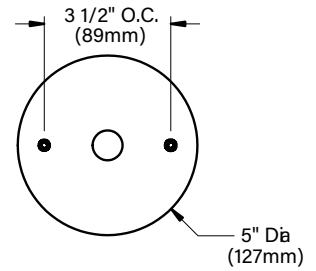
DATE: \_\_\_\_\_ PROJECT: \_\_\_\_\_ TYPE: \_\_\_\_\_



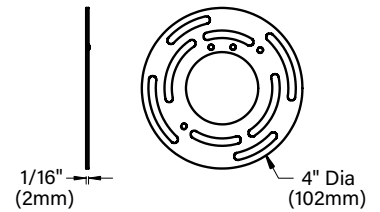
FRONT VIEW



SIDE VIEW



CANOPY DETAIL

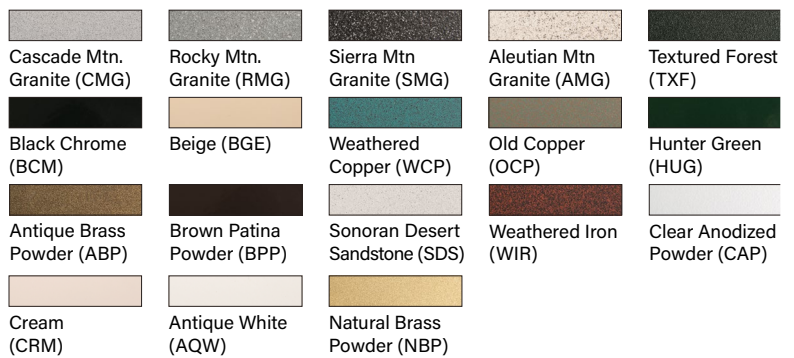


UNIVERSAL RING

**STANDARD FINISHES**



**PREMIUM FINISHES**



[Click Here](#) to view larger, full-color swatches of all available finishes on our website.

DATE:	PROJECT:	TYPE:
-------	----------	-------

ACCESSORIES (Configure separately)

Drivers (Configure separately)

## SPECIFICATIONS

ELECTRICAL	WATTAGE	PAR30 - 11W    PAR38 - 15.5W
	SOCKET	Specification grade, ceramic body lamp holder. Medium base, nickel-plated copper alloy lamp grip and screw shell. Corrosion resistant coil spring under center contact.
	WIRING	Teflon® coated wire, 18AWG, 600V, 250° C rated and certified to UL1659 standard.
PHYSICAL	MATERIALS	Furnished in copper-free aluminum (6061-T6).
	BODY	Unibody design is fully machined from solid billet and provides enclosed, water-proof wireway and heat sink to maximize lamp life. Integral knuckle for maximum mechanical strength. High temperature, silicon 'O' Ring provides water-tight seal.
	CAP	Fully machined and accommodates two (2) lens or louver media per lamp.
	LENS	Shock-resistant, tempered glass lens is factory adhered to fixture cap and provides hermetically sealed optical compartment.
	LAMP	For use with 75W maximum, PAR30 line voltage halogen lamps or 120W maximum, PAR38 line voltage halogen lamps - sourced by others.
	INSTALLATION	5" dia., machined canopy with stainless steel universal mounting ring permits mounting to 4" octagonal junction box (by others). Suitable for uplight or downlight installation.
	HARDWARE	Tamper-resistant, stainless steel hardware. LOCK aiming screw is black oxide treated for additional corrosion resistance.
	FINISH	StarGuard, our 15-stage chromate-free process cleans and conversion coats aluminum components prior to application of Class 'A' TGIC polyester powder coating and is RoHS compliant. Brass components are available in powder coat or handcrafted metal finish. Stainless steel components are only available in handcrafted metal finish.
	WARRANTY	5-year limited warranty.
CERTIFICATION & LISTING	UL Listed. Certified to CAN/CSA/ANSI standards. IP66 rated. RoHS compliant. Suitable for indoor or outdoor use and in wet locations. Made in the USA with sustainable processes.	

**B-K LIGHTING****MADE IN THE USA**559.438.5800 | [INFO@BKLIGHTING.COM](mailto:INFO@BKLIGHTING.COM) | [BKLIGHTING.COM](http://BKLIGHTING.COM)