

DATE:	PROJECT:	TYPE:
-------	----------	-------

CATALOG NUMBER LOGIC:



**Specify cap as additional accessory.*

***For use with MR16 LED and Halogen lamps.*

CATALOG NUMBER LOGIC

Example: PPII - S18 - TRSS75 - BZW - C - 120 -SF

MATERIAL

Aluminum

SERIES

PPII - Power Pipe II System

TYPE*

S12 - 12" Stake

S18 - 18" Stake

J12 - 12" Junction Box

J18 - 18" Junction Box

TRANSFORMER TYPE**

TRSS75 - 75 Watt Electronic Transformer (10VA min. load non-dimmed/40VA min. load dimmed)

FINISH (See page 2 for full-color swatches)

Standard Finishes (BZP, BZW, BLP, BLW, WHP, WHW, SAP, VER)

Premium Finish (ABP, AMG, AQW, BCM, BGE, BPP, CAP, CMG, CRM, HUG, NBP, OCP, RMG, SDS, SMG, TXF, WCP, WIR)

(Also available in RAL Finishes. See submittal SUB-1439-00)

CAP STYLE

B - Single Hole Cap

C - Solid Cap

INPUT VOLTAGE

120 - 120 VAC (Dimmable)

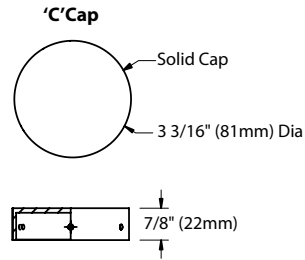
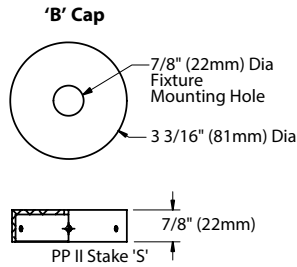
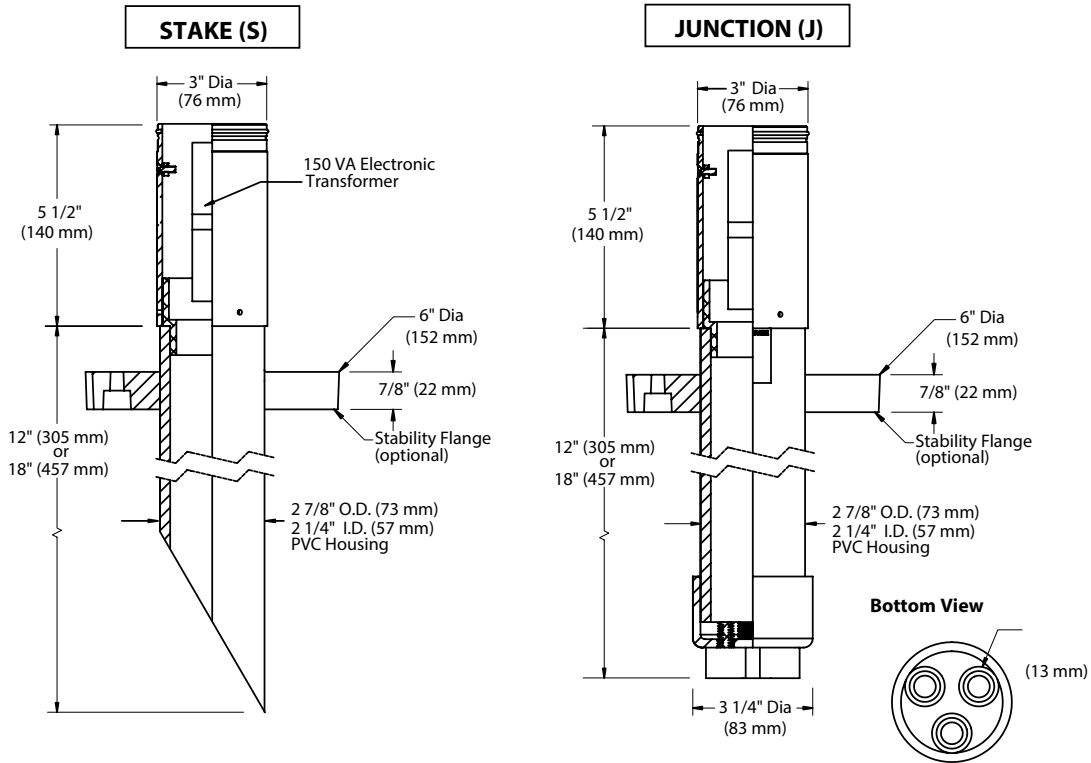
230 - 230 VAC

277 - 277 VAC

OPTIONS

SF - Stability Flange

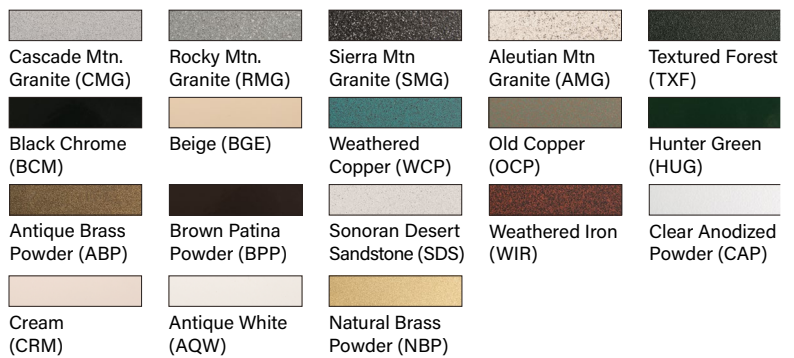
DATE: _____ PROJECT: _____ TYPE: _____



STANDARD FINISHES



PREMIUM FINISHES



[Click Here](#) to view larger, full-color swatches of all available finishes on our website.

DATE:	PROJECT:	TYPE:
-------	----------	-------

ACCESSORIES (Configure separately)

SPECIFICATIONS

Electrical	WIRING	Teflon® coated wire, 18AWG, 600V, 250° C rated and certified to UL 1659 standard.
	TRANSFORMER HOUSING	Fully machined from copper-free aluminum. Stainless steel hardware. High temperature, silicone 'O' Ring provides watertight seal.
	ELECTRONIC TRANSFORMER	For use with halogen lamps. 120V, 230V, and 277V primary voltage. 120V is fully dimmable (40W minimum load). 50/60Hz. 11.6V secondary voltage. 20 watt minimum load (halogen) non-dimmed. 150 watt maximum load. >0.93 Power Factor. <20% THD. Operating frequency >10kHz. Soft start circuitry to extend lamp life.
PHYSICAL	INSTALLATION	Provides a clean, architectural transition from wiring system to fixture. 2" Schedule 80 PVC pipe. For direct burial in soil or concrete. Available in 12" and 18" lengths. Available in three installation types:
	STAKE (TYPE S)	60° angled bottom designed for use with conduit or direct burial low voltage cable.
	JUNCTION BOX (TYPE J)	Includes three (3) 1/2" PVC slip connectors for branch circuit wiring.
	ADJUSTABLE STEM (TYPE A18)	18" field adjustable stem accommodates future landscape growth. Unused stem length remains hidden inside housing. Delrin bushing and stainless steel set screws lock mounting height.
	STABILITY FLANGE	Optional 6" diameter, molded stability flange simplifies installation and projects into substrate to simplify installation and reinforce housing stability.
	CAP STYLE	Machined from copper-free aluminum or machined brass.
	HARDWARE	Tamper-resistant, stainless steel hardware.
	FINISH	StarGuard, our 15-stage, chromate-free process cleans and conversion coats aluminum components prior to application of Class 'A' TGIC polyester powder coating and is RoHS compliant.
WARRANTY	5-year limited warranty.	
CERTIFICATION & LISTING	Certified to CAN/CSA/ANSI Standards. UL Listed. RoHS compliant. Made in USA with sustainable processes.	

