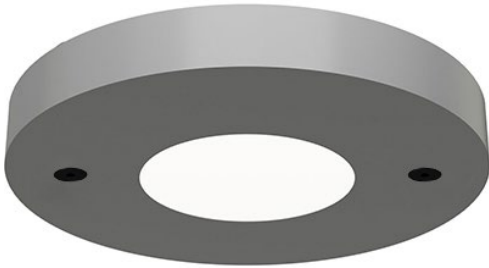


DATE:	PROJECT:	TYPE:
-------	----------	-------

CATALOG NUMBER LOGIC:



CATALOG NUMBER LOGIC

Example: CD - VS - GU - 0 - BZP - 9 - 11

MATERIAL

(Blank) - Aluminum B - Brass S - Stainless Steel

INSTALLATION

CD - Core Drill

SERIES

VS - Versa Star

SOURCE

GU - GU10 Line Voltage MR16

LAMP TYPE

0 - Furnished by Others

FINISH (See page 2 for full-color swatches)

Standard Finishes (BZP, BZW, BLP, BLW, WHP, WHW, SAP, VER)

Premium Finish (ABP, AMG, AQW, BCM, BGE, BPP, CAP, CMG, CRM, HUG, NBP, OCP, RMG, SDS, SMG, TXF, WCP, WIR)

Also available in RAL Finishes

Brass Finishes (MAC, POL, MIT)

Stainless Steel Finishes (MAC, POL)

LENS TYPE

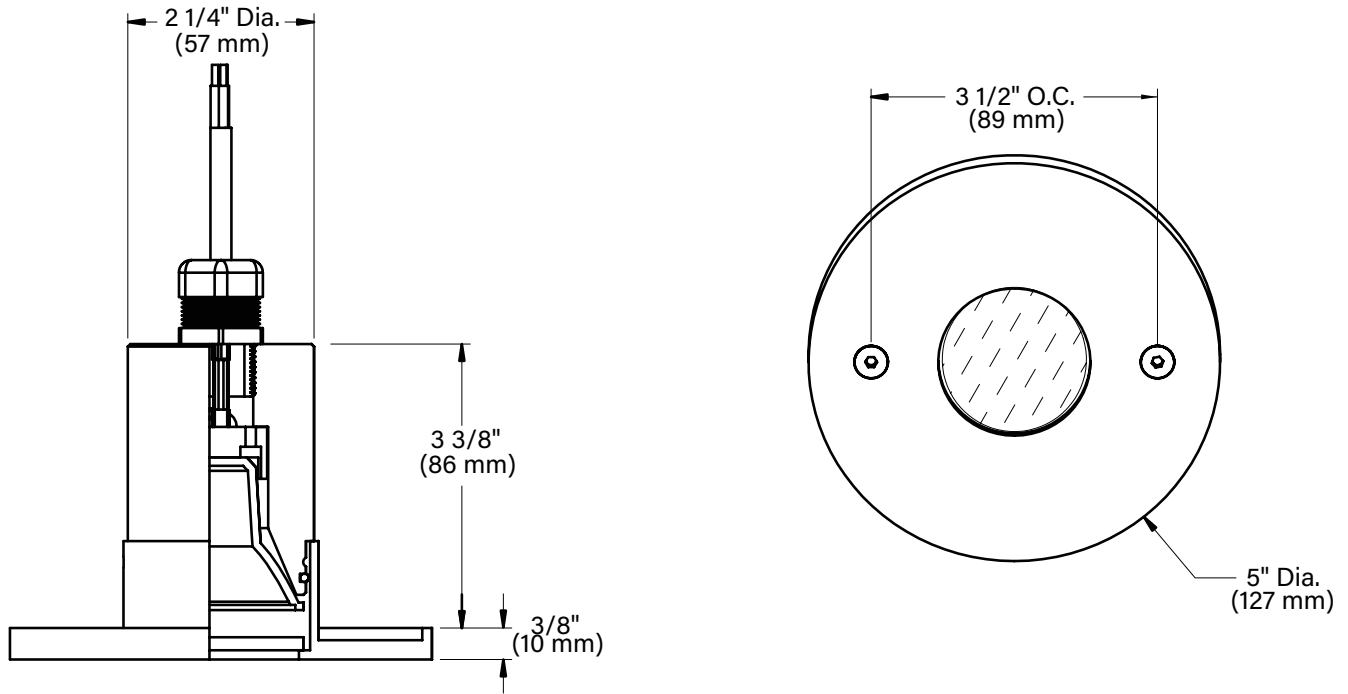
9 - Clear (Standard)

10 - Spread 12 - Soft Focus 13 - Rectilinear

SHIELDING

11 - Honeycomb Baffle

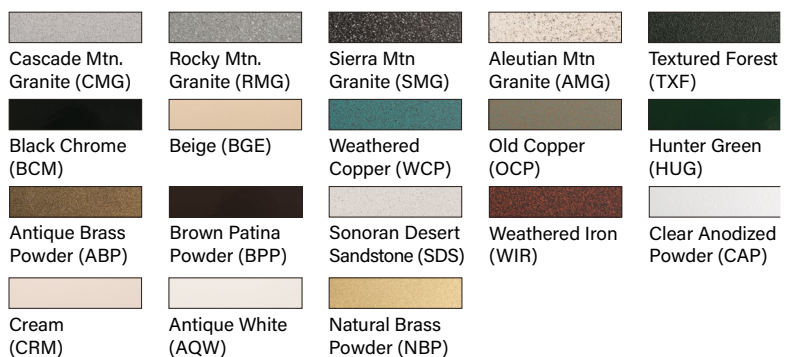
DATE: _____ PROJECT: _____ TYPE: _____



STANDARD FINISHES



PREMIUM FINISHES



[Click Here](#) to view larger, full-color swatches of all available finishes on our website.

DATE:	PROJECT:	TYPE:
-------	----------	-------

ACCESSORIES (Configure separately)

SPECIFICATIONS

ELECTRICAL	WATTAGE	20W, 35W, or 50W
	WIRING	Teflon® coated, 18AWG, 600V, 250° C rated and certified to UL 1659 standard. Anti-Siphon Valve (ASV) prevents wicking through conductor insulation.
	SOCKET	Specification grade, ceramic body lamp holder. GU10 base. Nickel alloy contacts and heat resistant, spring loaded, stainless steel lamp retaining clips.
PHYSICAL	MATERIALS	Furnished in copper-free aluminum (6061-T6), brass (360) or stainless steel (304).
	CORE DRILL	Allows for mounting into existing structures that will not easily accept a standard box. Machined from solid, copper-free aluminum. Weather-tight cable connector with 5'0", 12Ga., 2 wire low voltage cable. 2-1/2" dia. hole required for slip fit.
	FACEPLATE	Copper-free, cast aluminum construction with machined finish. Also available in brass and stainless steel. Countersunk holes provide for flush hardware mounting.
	LAMP	For use with GU10 line voltage halogen lamps only.
	INSTALLATION	For use with 50W maximum lamp when installed into non-combustible materials.
	LENS	Shock resistant, tempered, glass lens is factory adhered to faceplate.
	FINISH	StarGuard, our 15-stage chromate-free process cleans and conversion coats aluminum components prior to application of Class 'A' TGIC polyester powder coating and is RoHS compliant. Powder coat or metal finish options available for brass material and metal finish option only for stainless steel material.
	WARRANTY CERTIFICATION & LISTING	5-year limited warranty. ITL tested to IESNA LM-79. UL Listed. Certified to CAN/CSA/ANSI Standards. RoHS compliant. Suitable for indoor or outdoor use, in wet locations, and for installation within 4' of the ground. IP65 Rated. Made in the USA with sustainable processes.

