

DATE: _____ PROJECT: _____ TYPE: _____

CATALOG NUMBER LOGIC:



**For use with standard Anchor Base only.*

***Designed for use with 12 VAC. LED transformer.*

****For use up to 48" maximum overall height.*

CATALOG NUMBER LOGIC

Example: SF - 24 - L - MM - LED - e71 - MFL - WHP - 12 - 11 - A - PP18B

MATERIAL

Aluminum

SERIES

SF - Staff Star Pathlight

OVERALL HEIGHT

24" (Standard), 30", 36", 42", 48", *54", *60", *66", or *72" height

STYLE

L - 90° Radius

FIXTURE

MM - Mini-Micro

SOURCE

LED - with Non-Dimming Integral Driver**

LED TYPE

e70 - 3W LED/2700K e85 - 3W LED/2700K 90 CRI

e71 - 3W LED/3000K e86 - 3W LED/3000K 90 CRI

e72 - 3W LED/4000K e87 - 3W LED/3500K 80 CRI

e73 - 3W LED/Amber

OPTICS

NSP - Narrow Spot (17°) MFL - Medium Flood (28°)

SP - Spot (21°) ASY - Asymmetrical (17x31°)

FINISH (See page 2 for full-color swatches)

Standard Finishes (BZP, BZW, BLP, BLW, WHP, WHW, SAP, VER)

Premium Finish (ABP, AMG, AQW, BCM, BGE, BPP, CAP, CMG, CRM, HUG, NBP, OCP, RMG, SDS, SMG, TXF, WCP, WIR)

Also available in RAL Finishes

LENS TYPE

12 - Soft Focus 13 - Rectilinear

SHIELDING

11 - Honeycomb Baffle

CAP STYLE

A - 45°

B - 90°

C - Flush

D - 45° Less Weephole (Interior use only)

E - 90° Less Weephole (Interior use only)

BASE OPTIONS

(Blank) - Anchor Base (Standard, for use with remote 12 VAC. LED transformer)

PP18B - 18" Power Pipe Stake with 'B' Cap***

PP-TRe20 - Power Pipe T with 18" Stake, TRe20 Electronic Transformer (105-300 VAC. 50/60 Hz. non-dimming)***

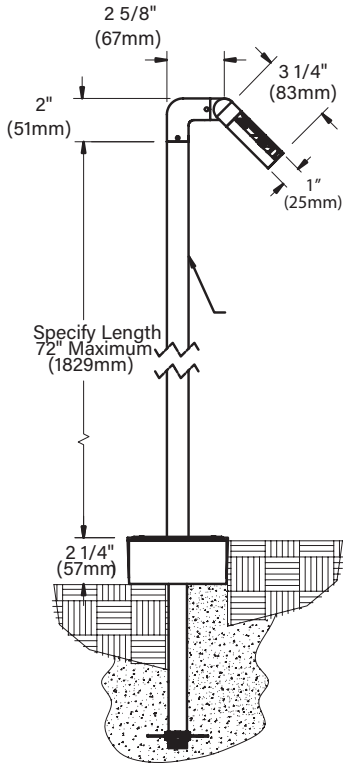
SF - Stability Flange (For use with Power Pipe)

DATE:

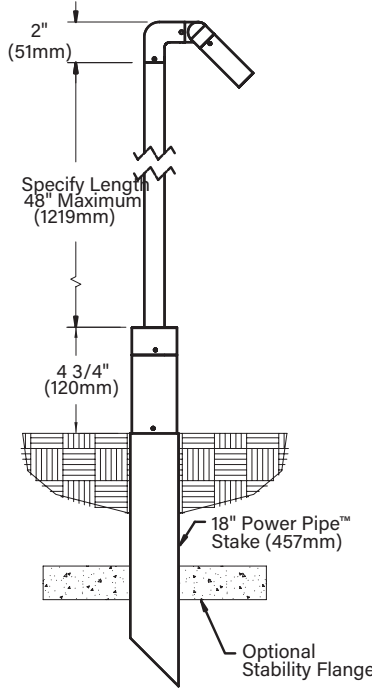
PROJECT:

TYPE:

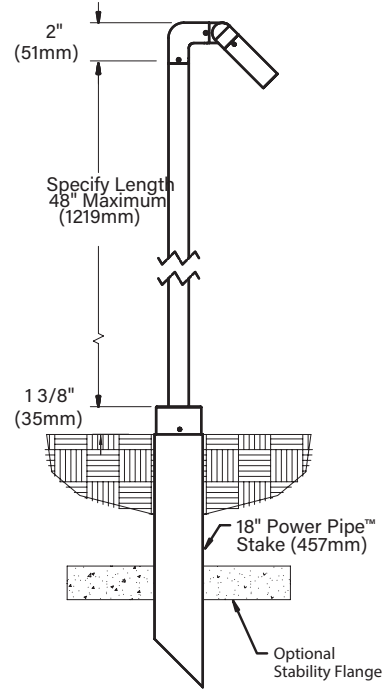
ANCHOR BASE



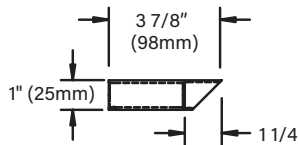
**POWER PIPE 'T'
(Mounting Option)**



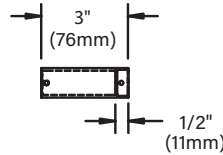
**POWER PIPE
(Mounting Option)**



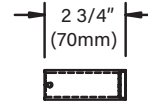
"A/D" CAP



"B/E" CAP



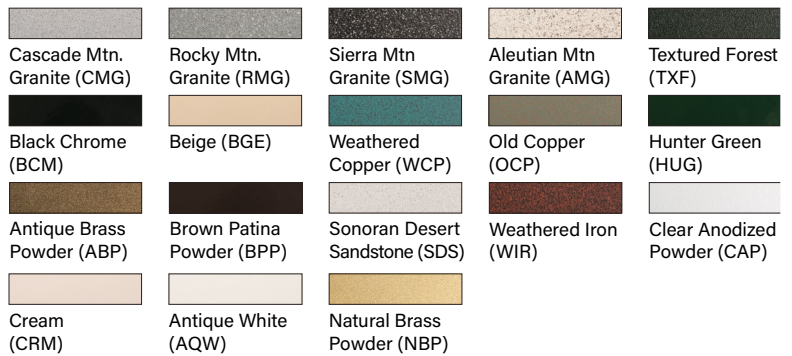
"C" CAP



STANDARD FINISHES



PREMIUM FINISHES



[Click Here](#) to view larger, full-color swatches of all available finishes on our website.

DATE:	PROJECT:	TYPE:
-------	----------	-------

ACCESSORIES (Configure separately)

SPECIFICATIONS

ELECTRICAL	WATTAGE	3W LED
	WIRING	PVC coated, 18AWG, 150V, 60°C rated and certified to UL 1838 standard.
	POWER PIPE WITH TRANSFORMER HOUSING	Additionally features integral transformer housing fully machined from copper-free aluminum. High temperature, silicone 'O' Ring provides water-tight seal. Integral, TRe20 electronic transformer. 105-300VAC primary voltage. 50/60Hz. Non Dimming. 20VA maximum load.
PHYSICAL	STYLE	L style features clean, 90° transition from fixture to stem.
	MATERIALS	Furnished in copper-free aluminum (6061-T6).
	BODY	Unibody design is fully machined from solid billet and provides enclosed, water-proof wireway and integral heat sink for maximum component life. Integral knuckle for maximum mechanical strength. High temperature, silicone 'O' Ring provides water-tight seal.
	KNUCKLE	LOCK Knuckle is integral to the body and features an interior taper machined from solid billet and a second, reverse angle taper allowing full 180° vertical adjustment without the use of aim-limiting serrated teeth. High temperature, silicone 'O' Ring provides water-tight seal and compressive resistance to maintain fixture position. Design withstands 73 lbs. static load prior to movement for optical alignment with a ½" pipe thread for mounting.
	CAP	Fully machined and accommodates one (1) lens or louver media.
	STEM	Fully machined, 1" dia. with internal threads for maximum visual appeal. Available in configurable lengths to 72" maximum (with Anchor Base) and 48" maximum (with Power Pipe).
	LENS	Shock-resistant, tempered glass lens is factory adhered to fixture cap and provides hermetically sealed optical compartment.
	LED	Integrated solid state system and modular design with electrical disconnects allows for easy field upgrade and maintenance. High power, forward throw source complies with ANSI C78.377 binning requirements and exceeds ENERGY STAR® lumen maintenance requirements. LM-80 certified components. Integral, constant current driver. 12VAC/VDC input. 50/60Hz. Proprietary input control scheme achieves power factor correction and eliminates inrush current (limited to <250mA non-dimming). Output, overvoltage, open-circuit, and short circuit protected. Conforms to Safety Std. C22.2 No. 250.13-12.
	OPTICS	Interchangeable, color-coded OPTIKIT modules permit field changes to optical distribution.
	ANCHOR BASE	Cast aluminum junction box with pass-through cover. 10" galvanized anchor stem for installation into soil or concrete. For use with 12VAC remote transformer or magnetic transformers only. B-K Lighting cannot guarantee performance with third party manufacturers' transformers.
	POWER PIPE	Provides a clean transition from wiring system to fixture. Schedule 80, 18" PVC housing for direct burial into soil or concrete. Machined 2-1/4" dia. cap for fixture mounting. Optional 6" diameter, molded stability flange, which simplifies installation and projects into substrate to reinforce housing stability. For use with 12VAC remote transformer or magnetic transformers only. B-K Lighting cannot guarantee performance with third party manufacturers' transformers.
	HARDWARE	Tamper-resistant, stainless steel hardware. LOCK aiming screw screw is black oxide treated for additional corrosion resistance.
	FINISH	StarGuard, our 15-stage chromate-free process cleans and conversion coats aluminum components prior to application of Class 'A' TGIC polyester powder coating and is RoHS compliant. Powder coat or metal finish options available for brass material and metal finish option only for stainless steel material.
	WARRANTY	5-year limited warranty.
CERTIFICATION & LISTING	ITL tested to IESNA LM-79. UL Listed. Certified to CAN/CSA/ANSI Standards. RoHS compliant. Suitable for indoor or outdoor use, in wet locations, and for installation within 4' of the ground. IP66 Rated. Made in the USA with sustainable processes.	



B-K LIGHTING **MADE IN THE USA** 559.438.5800 | INFO@BKLIGHTING.COM | BKLIGHTING.COM

LAMP & DRIVER DATA (e70, e71, e72, e73)

DATE: _____ PROJECT: _____ TYPE: _____

DRIVER DATA	Input Volts	InRush Current	Operating Current	Operation Ambient Temperature
	12VAC/DC 50/60Hz	<250mA (non-dimmed)	500mA	-22°F-194°F (-30°C - 90°C)

LM79 DATA				L70 DATA		OPTICAL DATA		
BK No.	CCT (Typ.)	CRI (Typ.)	Input Watts (Typ.)	Minimum Rated Life (hrs.) 70% of initial lumens (L ₇₀)		Angle	CBCP	Delivered Lumens
e70	2700K	80	3	50,000		17°	1347	167
	2700K	80	3	50,000		21°	664	139
	2700K	80	3	50,000		28°	524	149
	2700K	~	3	50,000		17°x31°	613	151
e71	3000K	80	3	50,000		17°	1411	175
	3000K	80	3	50,000		21°	695	146
	3000K	80	3	50,000		28°	548	156
	3000K	~	3	50,000		17°x31°	642	158
e72	4000K	80	3	50,000		17°	1585	197
	4000K	80	3	50,000		21°	781	164
	4000K	80	3	50,000		28°	616	175
	4000K	~	3	50,000		17°x31°	721	178
e73	Amber (590nm)	~	3	50,000		~	~	~

OPTICS	
Optic	Angle
NSP - Narrow Spot	17°
SP - Spot	21°
MFL - Medium Flood	28°
ASY - Asymmetrical	17°x31°