

DENALI - POWER CANOPY SYSTEM INTEGRAL DRIVER HOUSING ORDER FIXTURE SEPARATELY.

DATE:	PROJECT:	TYPE:
-------	----------	-------

CATALOG NUMBER LOGIC:



CATALOG NUMBER LOGIC

Example: PC - D20INC - BZW - MT - CP

MATERIAL

Aluminum

SERIES

PC - Power Canopy System (Order fixture separately)

DRIVER TYPE*

D12INC - 12W Dimming Driver

D20INC - 20W Dimming Dirver

D27INC - 27W Dimming Driver

FINISH

Standard Finishes (BZP, BZW, BLP, BLW, WHP, WHW, SAP, VER)

Premium Finish (ABP, AMG, AQW, BCM, BGE, BPP, CAP, CMG, CRM, HUG, NBP, OCP, RMG, SDS, SMG, TXF, WCP, WIR)

(Also available in RAL Finishes. See submittal SUB-1439-00)

INPUT VOLTAGE

MT - 120-277 VAC

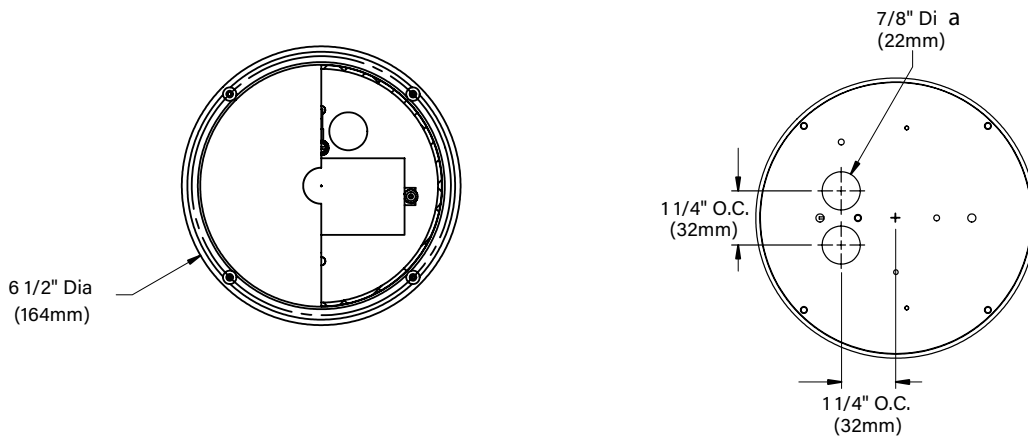
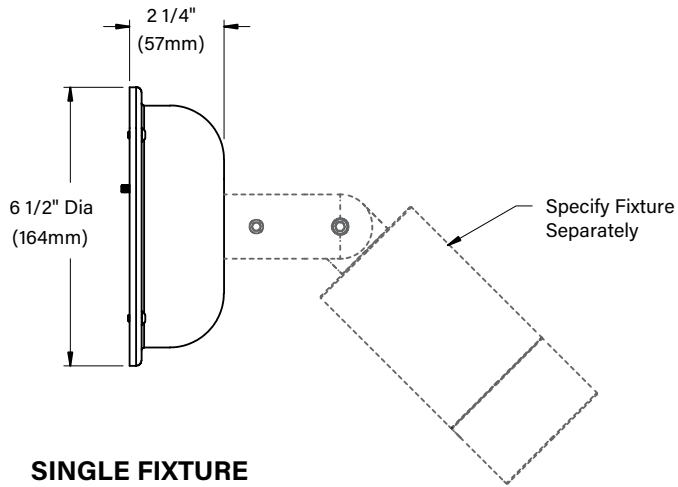
OPTIONS

CP - Weighted Base with Cord, Plug, and Switch

**For use with incandescent dimmer. 120V only for dimming. Driver wattage must match fixture wattage.*

DENALI - POWER CANOPY SYSTEM INTEGRAL DRIVER HOUSING ORDER FIXTURE SEPARATELY.

DATE: _____ PROJECT: _____ TYPE: _____



STANDARD FINISHES



PREMIUM FINISHES



[Click Here](#) to view larger, full-color swatches of all available finishes on our website.

DENALI - POWER CANOPY SYSTEM INTEGRAL DRIVER HOUSING ORDER FIXTURE SEPARATELY.

DATE:	PROJECT:	TYPE:
-------	----------	-------

ACCESSORIES (Configure separately)

SPECIFICATIONS

Electrical	WIRING DRIVER	<p>Teflon® coated wire, 18AWG, 600V, 250° C rated and certified to UL 1659 standard.</p> <p>One (1) 700mA, Class A, constant current driver. 120-277VAC (nominal) primary input voltage. 50/60Hz. >0.94 Power Factor, 6A in-rush current, 0.25A input current, .5%THD (nominal at 120VAC full load). Output over-voltage, over-current, and short circuit protection with auto recovery. EMC: FCC47CFR Part 15 Class B compliant. Dimming driver for use with standard incandescent dimmers. 10-100% range.</p>
PHYSICAL	INSTALLATION CANOPY HOUSING HARDWARE FINISH WARRANTY CERTIFICATION & LISTING	<p>Universal design accommodates a single fixture (specified separately) and permits water-tight installation. Two wire entrance knockouts will accept 1/2" conduit or Romex connectors. Four 3/16" wall plate mounting holes (mounting hardware by others).</p> <p>Fully machined from copper-free aluminum. Stainless steel hardware. Gasket provides watertight seal.</p> <p>Tamper-resistant, stainless steel hardware.</p> <p>StarGuard, our 15-stage, chromate-free process cleans and conversion coats aluminum components prior to application of Class 'A' TGIC polyester powder coating and is RoHS compliant. Finish to match fixture (specified separately).</p> <p>5-year limited warranty.</p> <p>Certified to CAN/CSA/ANSI standards. UL Listed. RoHS compliant. Made in USA with sustainable processes.</p>



B-K LIGHTING	MADE IN THE USA	559.438.5800 INFO@BKLIGHTING.COM BKLIGHTING.COM
---------------------	------------------------	--