

DATE:	PROJECT:	TYPE:
-------	----------	-------

CATALOG NUMBER LOGIC:

**CATALOG NUMBER LOGIC**

Example: HP2 - 010 - BZP - MT - GM-S

MATERIAL

Aluminum

SERIES

HP2 - Integral In-grade (Flush)

CONTROL TYPE

010 - 0-10V Wired Installation*

BT - Bluetooth (See requirements)**

FINISH

Standard Finishes (BZP, BZW, BLP, BLW, WHP, WHW, SAP, VER)

Premium Finish (ABP, AMG, AQW, BCM, BGE, BPP, CAP, CMG, CRM, HUG, NBP, OCP, RMG, SDS, SMG, TXF, WCP, WIR)

(Also available in RAL Finishes. See submittal SUB-1439-00)

INPUT VOLTAGE

MT - 120-277 VAC

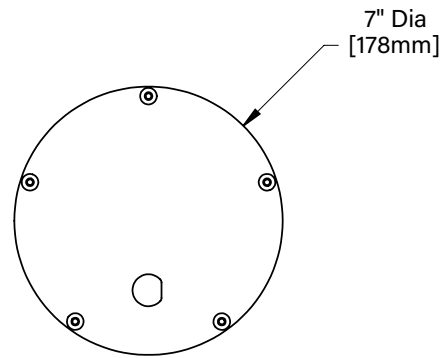
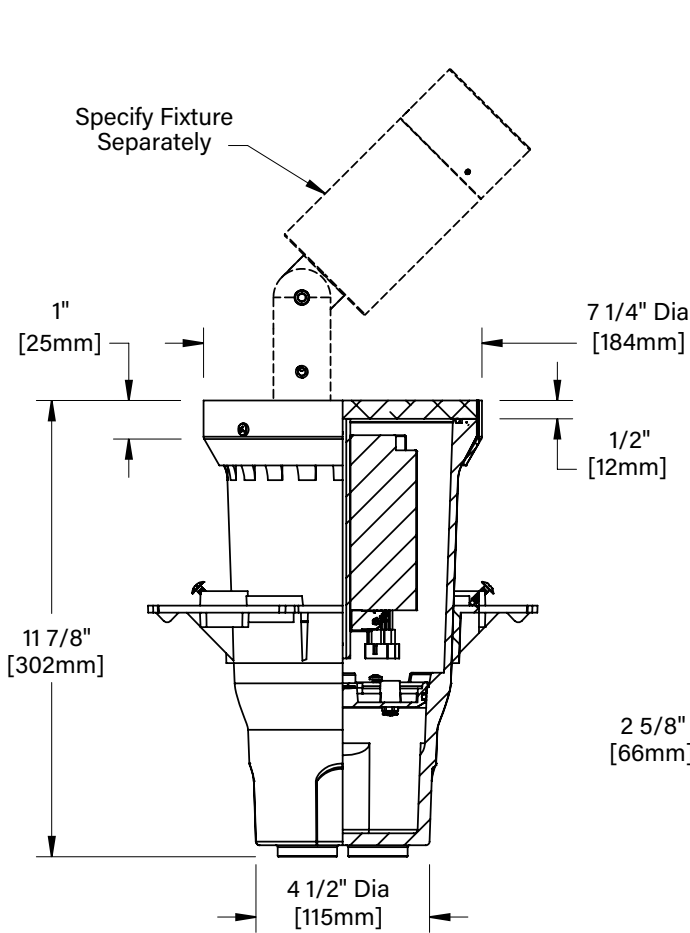
OPTIONS

GM-R - Round Grout Mask

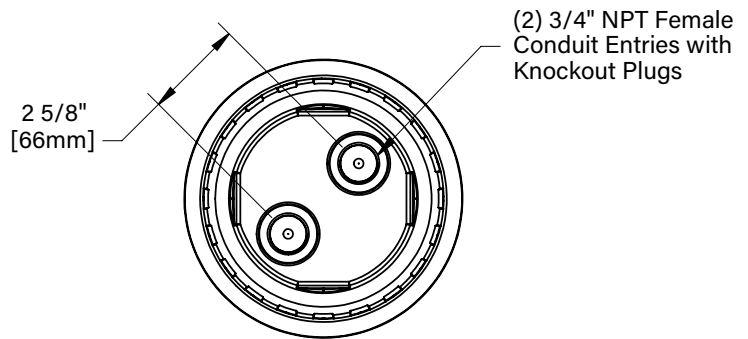
GM-S - Square Grout Mask

Requires 2 sets of 0-10V controls. Sold separately.**Bluetooth control system requirements. For use with iPod Touch 5 or later, Mini iPad, iPad3 (2012) or later or iPhone 4S or later.*

DATE: _____ PROJECT: _____ TYPE: _____



FACEPLATE VIEW

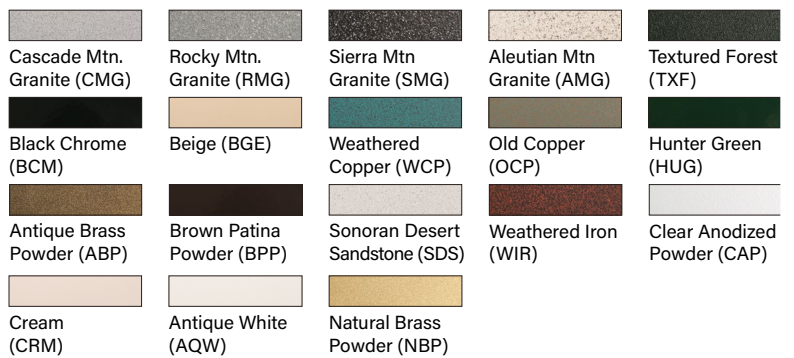


BOTTOM VIEW

STANDARD FINISHES



PREMIUM FINISHES






[Click Here](#) to view larger, full-color swatches of all available finishes on our website.

DATE:	PROJECT:	TYPE:
-------	----------	-------

ACCESSORIES (Configure separately)

SPECIFICATIONS

Electrical	INSPIRATION (BLUETOOTH WIRELESS TECHNOLOGY)	Wireless communication system creates dynamic lumen response at the individual fixture. Indexed (100% to 5% nom.) lumen output. Maintains output at desired level or may be changed as conditions require via exclusive mobile application. App available at the Apple App® Store. CCT modulation between 1650K through 4000K. Full saturation and hue control enables selection of any single color point off the Planckian curve for dynamic full color output. A copy/paste function permits replication of the current selection to other modules within the wireless network. Wireless control up to 5 feet.
	BLUETOOTH CONNECTIVITY REQUIREMENTS	iOS device (by others) with Inspiration Control System app is required for wireless Bluetooth® control. Works with iPhone® (4S or newer); iPad® (3rd generation or newer); iPad mini®; iPad Air®; iPod® Touch (5th generation or newer).
	0-10V WIRED CONTROL	Requires two (2) sets of 0-10V industry wired controls wired direct to the fixture. One provides CCT modulation between 1650K through 8000K in 1% increments. The second enables 5-100% dimming in 1% increments. iOS device may also be utilized to select a single color point off the Planckian curve for dynamic full color output with the remaining functions enabled by the 0-10V controls.
	WIRING / CONNECTORS	XLPE coated wire, (3)18 gauge and [(4)22 gauge- only included with 0-10V Dimming applications], 300V, 125°C rated and certified to UL3265 standard. Features gear tray quick disconnects. Patented HydroLock® with three (3) Water-Tight connectors supplied for incoming connection. Maximum (2) #10 & (1) #18. Minimum (1) #12 & (1) #18.
	DRIVER ASSEMBLY	One (1)- 24V, 3A, Class II driver. 120-277VAC (nominal) primary input voltage. 50/60Hz. >0.90 Power Factor, <20% THD (nominal at 120VAC full load). Output over-voltage, over-current, and short circuit protection.
PHYSICAL	MATERIALS	Furnished in copper-free aluminum (6061-T6), brass (360), or stainless steel (304).
	FACEPLATE	Solid, 1/2" machined 6061-T6 copper-free aluminum with five (5) black oxide, captive, stainless steel mounting screws.
	HOUSING	Corrosion-free, high strength, flame retardant and UV stabilized, injected molded polycarbonate. Two (2) bottom-entry, 3/4" NPT female conduit entries with knockout plugs and four (4) side flats for 1/2" or 3/4" conduit adapters.
	PATENTED STABILITY FLANGE	Corrosion-free composite flange projects into installation substrate to reinforce housing stability. Integral REBAR saddles simplify installation into concrete form. Four (4) orthogonal bosses permit use of 1/2" PCV conduit or EMT to simplify vertical position and leveling of housing. Preset self-tapping screws anchor housing at proper elevation.
	INSTALLATION	Integral, copper-free aluminum concrete pour collar (CPC), furnished in black finish, permits for direct burial in soil or concrete. Consult Drainage Installation Guide for In-Grade Fixtures (DIG-IT) for compliance with proper soil preparation and drainage requirements prior to installation.
	WATER MANAGEMENT	High temperature silicone 'O' Ring at faceplate. HydroLock® technology provides fail-safe water barrier between junction box and interior components. IP68 rated.
	FINISH	StarGuard, our 15-stage, chromate-free process cleans and conversion coats aluminum components prior to application of Class 'A' TGIC polyester powder coating and is RoHS compliant. Finish to match fixture (specified separately).
  	WARRANTY	5-year limited warranty.
	CERTIFICATION & LISTING	Certified to CAN/CSA/ANSI Standards. UL Listed. IP-68 Rated enclosure. RoHS compliant. Made in the USA with sustainable processes.