



Bollard Star™ is a unique architectural lighting fixture that incorporates advanced optics into a truly European fixture design. Bollard Star's extremely rugged construction of aluminum and stainless steel components, and its polyester powder coat finish, allows it to be used in rough service areas as well as in the most discriminating architectural landscape designs.



Features

- Tamper proof design.
- Can be specified with integral transformer.
- Machined aluminum construction with stainless steel hardware.
-  &  Listed with MR16 lamps to 50 watts.
- For use with remote transformers, see pages 92, 94, and 97.

CATALOG NUMBER LOGIC

Example: **BS - 1 - BLW - A - 24" - EL150-120**

Series _____

Lamp Type _____

0 - By others
 1 - ESX(20W), 12° Spot
 3 - FRB(35W), 12° Spot
 15 - EYR(42W), 12° Spot
 6 - EXT(50W), 13° Spot

Finish _____

Powder Coat Color	Wrinkle
Bronze	BZW
Black	BLW
White(Gloss)	WHW
Verde	VER

Style _____

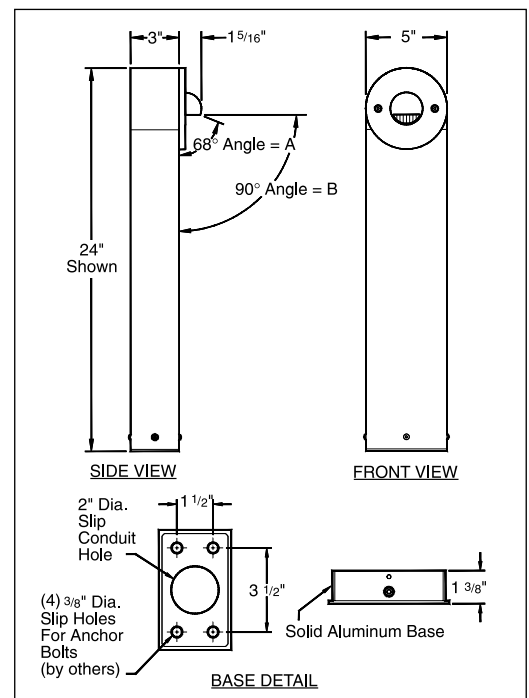
A - Short (68°), B - Long (90°)

Overall Height (Specify Inches) _____

12", 18", 24", 30"

Options _____

EL75-120 - With integral 75VA electronic transformer for 120V operation or to feed additional 12V fixtures.
 EL150-120 - With integral 150VA electronic transformer for 120V operation and to feed additional 12V fixtures.



For photometrics, see page 104.

