

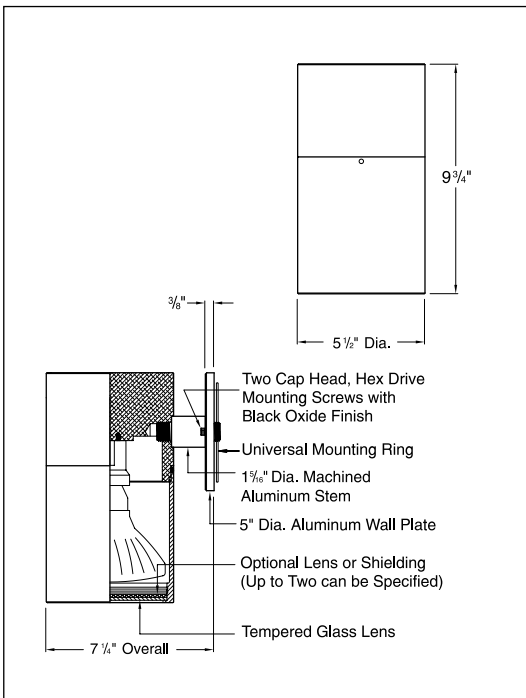
Alpine Series™



The **Alpine Series™** utilizes the PAR30 or PAR38 halogen lamp and can be used as an uplight or a downlight fixture. It is rated to 75 watts with the PAR30 lamp or up to 250 watts with the PAR38 lamp and performs like fixtures twice its size. The Alpine Series is made of machined aluminum components protected with one of eight polyester powder coat finishes and features stainless steel hardware. Its beautiful, architectural design compliments any installation while meeting the application requirements of the project.

Features

- Tamper proof design.
- Completely sealed optical compartment.
- Clear, tempered glass lens, factory sealed.
- Machined aluminum construction with stainless steel hardware.
- Medium base lamp holder with 250° C, 18 ga., wire leads.
- & Listed with PAR30/PAR38 halogen lamps, up to 250W.
- For use with 120V, no transformer required.



CATALOG NUMBER LOGIC

Example:

AP - 53 - VER - 9 - 11

Series

Lamp Type

0 - By others

- 50 - 50 PAR30L/H/NSP9(50W), 9° N, Spot
- 51 - 50 PAR30L/H/SP16(50W), 16° Spot
- 52 - 50 PAR30L/H/FL30(50W), 30° Flood
- 53 - 50 PAR30L/H/WFL40(50W), 40° W, Flood
- 54 - 75 PAR30L/H/NSP9(75W), 9° N, Spot
- 55 - 75 PAR30L/H/SP16(75W), 16° Spot
- 56 - 75 PAR30L/H/FL30(75W), 30° Flood
- 57 - 75 PAR30L/H/WFL40(75W), 40° W, Flood
- 75 - 90 PAR38/CAP/NSP9(90W), 9° N, Spot
- 76 - 90 PAR38/CAP/SP12(90W), 12° Spot
- 77 - 90 PAR38/CAP/FL30(90W), 30° Flood
- 78 - 120 PAR38/CAP/NSP10(120W), 10° N, Spot
- 79 - 120 PAR38/CAP/FL30(120W), 30° Flood
- 80 - 120 PAR38/CAP/WFL50(120W), 50° W, Flood

Finish

Powder Coat Color	Satin	Wrinkle
Bronze	BZP	BZW
Black	BLP	BLW
White(Gloss)	WHP	WHW
Aluminum	SAP	---
Verde	---	VER

Lens Type

9 - Clear (Standard), 10 - Spread, 13 - Rectilinear

Shielding

11 - Honeycomb Baffle

