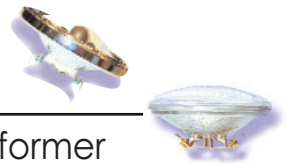


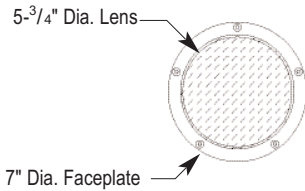
PAR-36/AR-111

Integral or Remote Transformer

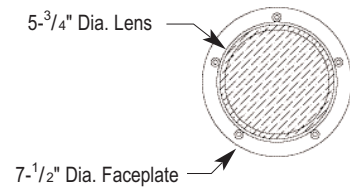


HP2 & CO2 faceplates are machined from 1/2" thick solid material.

1/2" =



1/2" =



Choose from three housings to suit any installation:

TR



Integral Transformer

- Patented HydroLock® Technology
- Modular Component Construction

RD



Deep Remote

- Patented HydroLock® Technology
- Deep Housing

RS



Shallow Remote

- Shallow Housing
- Ideal for restricted-depth installations

CSRR
Fresno, CA

Catalog Number Logic

Material Faceplate OptiLock® Housing Lamp Finish Accessory Input Voltage Option

- - - - - - - -

S - **CO2** - **AR** - **RS** - **39** - **POL** - **13** - **AH**



Material
Blank - Aluminum
B - Brass
S - Stainless Steel



Faceplate
HP2 - (Flush)
CO2 - (Flange)



OptiLock®
AR - PAR-36 or AR-111



Housing
TR - Integral Transformer
RD - Deep Remote*
RS - Shallow Remote*
 * Requires Remote Transformer



Lamp
0 - By Others

PAR-36	AR-111
25 - (18W) 50/25° Flood	35 - (35W) 4° V Narrow Spot
26 - (36W) 5° V Narrow Spot	36 - (35W) 8° Narrow Spot
27 - (36W) 10° Narrow Spot	37 - (35W) 25° N Flood
28 - (36W) 30° N Flood	38 - (50W) 4° V Narrow Spot
29 - (50W) 5° V Narrow Spot	39 - (50W) 8° Narrow Spot
30 - (50W) 10° Narrow Spot	40 - (50W) 25° N Flood
31 - (50W) 28° N Flood	41 - (75W) 8° Narrow Spot
	42 - (75W) 25° N Flood
	43 - (75W) 45° Flood

For lamp information, see page 83-84.



Finish

Aluminum & Brass Faceplates			Brass Faceplates	
Powder Coat Color	Satin	Wrinkle	Machined	MAC
Bronze	BZP	BZW	Polished	POL
Black	BLP	BLW	Mitique™	MIT
White (Gloss)	WHP	WHW	Stainless Faceplates	
Aluminum	SAP	--	Machined	MAC
Verde	--	VER	Polished	POL
			Brushed	BRU

See Pages 80-81 for Additional Finish choices



Accessory Select up to 2. Requires Accessory Holder. See page 75 for Accessory details.

- 10** - Spread Lens
- 11** - Honeycomb Baffle
- 13** - Rectilinear Lens



Input Voltage
Blank - Remote Transformer (RD & RS Housing)
 See page 54-61 for Remote Transformer Options.

- 120** - 120 VAC Input
- 277** - 277 VAC Input



Option

- AH** - Accessory Holder (Accommodates up to 2 Media)
- CPC** - Concrete Pour Collar (HP2 Only.) See page 74 for CPC details. Material and Finish to Match Faceplate. May be Field Installed prior to permanent installation of side conduit connectors. Included with ICEE™ Lens option.
- DG** - Dome Glass Lens (Replaces Flat Glass. Not Driveover Rated)
- GS** - Glare Shield*
- HD** - Half Dome*
- ICEE**™ - ICEE™ Lens (HP2 Only. For use with aluminum 5³/₄" diameter lens. Concrete Pour Collar included.)** See pages 76-77 for details.
- RG** - Rock Guard*
- RO** - Rock Guard with Optical Opening*
- TC** - Traction Control Lens® (Replaces Flat Glass.) See page 78 for details. * HP2 Only. Material and Finish to Match Faceplate. Dome lens included. See pages 72-74 for Option details.

**Options DG, GS, HD, RG and RO not available with ICEE™ Lens option

Specifications

GreenSource Initiative™
 Metal and packaging components are made from recycled materials. Manufactured using renewable solar energy, produced onsite. Returnable to manufacturer at end of life to ensure cradle-to-cradle handling. Packaging contains no chlorofluorocarbons (CFC's). RoHs compliant.

Fixture Housing
 Corrosion-free composite, made from high strength, thermo-formed, sheet molded polyester compound. Glass reinforced, flame retardant and UV stabilized. (2) Orthogonal bosses permit use of 1/2" PCV conduit or EMT to simplify vertical position and leveling of housing. Pre-set self-tapping screws anchor housing at proper elevation.

Stability Flange (Patent Pending)
 Corrosion-free composite flange projects into installation sub-strate to reinforce housing stability. Integral REBAR saddles simplify installation onto concrete form. (4) Orthogonal bosses permit use of 1/2" PCV conduit or EMT to simplify vertical position and leveling of housing. Pre-set self-tapping screws anchor housing at proper elevation.

Aiming
 Dual axis OptiLock® stainless steel aiming bracket rotates 360° and provides vertical adjustment up to 18° (RD or TR), 14° (RS w/o AH) or 4° (RS w/ AH) from nadir. Positive lock action ensures optical orientation.

Transformer Assembly (TR Housing)
 Integral 75VA, Class H insulated low voltage magnetic transformer. 120VAC to 12VAC or 277VAC to 12VAC. Integral, removable gear tray with quick disconnect and carrying handle.

Wiring / Connectors
 Teflon® coated wire, 18 gauge, 600V, 250°C rated and certified to UL1659 standard. RD and TR feature quick disconnects. Patented HydroLock® with anti-siphon valve (ASV™) wireway. (3) Silicone filled wire nuts supplied for water-tight line connection. Maximum (2) #10 & (1) #18. Minimum (1) #12 & (1) #18.

Water Management
 Self Evacuating Airtight Lamp Module (S.E.A.L.™). IP-68 rated, vacuum sealed enclosure. Patented Anti-Condensation Valve (ACV™) eliminates condensation from optical chamber. High temperature silicone 'O' Ring at faceplate. RD and TR feature patented HydroLock® technology which provides fail safe water barrier between junction box and interior components. Anti-siphon valve (ASV™) prevents "wicking" through conductor insulation.

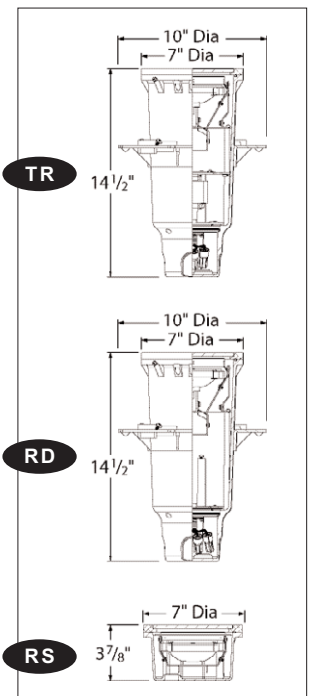
Lens
 High heat, shock resistant, tempered 1/4" borosilicate flat glass lens. Suitable for walk-over and drive-over applications.

Patented ICEE™ Lens Option
 ICEE™ (Interstice Cooling Evacuated Enclosure) is a significant advancement in the science of temperature management. Effectively reduces surface lens temperatures without compromising lumen output or optical control. Increases overall fixture depth by 2". Available with aluminum faceplates only. Supplied with 5-3/4" dia. lens only. Includes Concrete Pour Collar.

Faceplate
 Solid, 1/2" machined 6061T6 aluminum with (5) black oxide, captive, stainless steel mounting screws. Faceplate options include solid, 1/2" machined brass and solid, 1/2" machined stainless steel.

Finish
 StarGuard® (Patent Pending), a 15 stage, chromate-free process cleans and conversion coats aluminum components prior to application of Class 'A' TGIC polyester powder coating. Brass components are available in powder coat or handcrafted metal finish. Stainless steel components are available in handcrafted metal finish. RoHs compliant.

Listings
 ETL Listed to ANSI/UL Standard 1598 and Certified to CAN/CSA Standard C22.2 No. 250.



B-K LIGHTING

Precision2® and its features are covered in whole or in part by U.S. Patent No. 7,033,038; U.S. Patent No. 6,254,258 B1; U.S. Patent No. 7,249,867 B2; U.S. Patent No. 7,370,988 B2; and U.S. Patent No. 7,560,148.

