

Warning



Flammable



Hot Surface

<b>NEEDED FOR INSTALLATION:</b>		5/64" Allen Wrench
		Wire connector <i>(recommended silicone filled wire connectors)</i>
		2 1/4" drill bit and drill
By Others		

**INSTRUCTIONS PERTAINING TO A RISK OF FIRE, OR INJURY TO PERSONS IMPORTANT SAFETY INSTRUCTIONS**

Lighted lamp is HOT!  
**WARNING - To reduce the risk of FIRE OR INJURY TO PERSONS:**  
 Turn off/unplug and allow to cool before replacing lamp.  
 Lamp gets HOT quickly! Contact only switch/plug when turning on.  
 Do not touch hot lens, guard, or enclosure (see diagram/picture).  
 Keep lamp away from materials that may burn.  
 Do not touch the lamp at any time. Use a soft cloth. Oil from skin may damage lamp.  
 Do not operate the luminaire fitting with a missing or damaged shield.

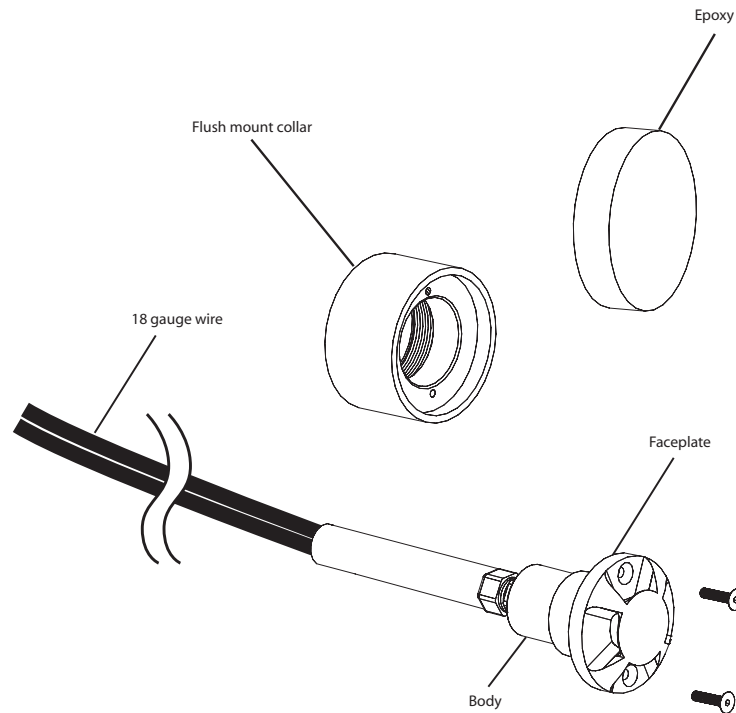
**SAVE THESE INSTRUCTIONS**

**IMPORTANT SAFETY INFORMATION - READ, FOLLOW, AND SAVE ALL SAFETY AND INSTALLATION INSTRUCTIONS**

- Product must be installed by a qualified person in a manner consistent with its intended use and in compliance with the National Electrical Code, Canadian Electrical Code, and all Local and Provincial Codes.
- Follow product label information and instructions.
- Qualified Personnel must perform all servicing or relamping of this product.
- Before wiring to power supply and during servicing or relamping, turn off power at fuse or circuit breaker before service.
- The use of accessory equipment not recommended by the manufacturer or installed contrary to instructions may cause an unsafe condition. The use of damaged components may cause an unsafe condition and void product warranty.
- Do not block light emanating from product in whole or part, as this may cause an unsafe condition.
- Never operate the fixture with missing or damaged lens. Lens must be cleaned on regular basis.
- Entire fixture may become extremely hot. Do not touch hot lens or fixture body. Do not touch the lamp at any time. Use a clean, dry, soft cloth to handle the lamp. Oil from skin may damage the lamp and cause it to rupture.
- Replace lamp only with correct wattage and type of lamp marked on fixture label.
- All gaskets, o-rings and sealing surfaces must be kept clean during installation and service; failure to do this may cause an unsafe condition and void product warranty.

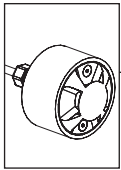
**IMPORTANT LISTINGS AND CERTIFICATIONS**

- Suitable for wet locations



**NOTE:**  
 Please refer to the low voltage design guide at [www.bklighting.com/lvguide](http://www.bklighting.com/lvguide) before installation for proper wire selection.

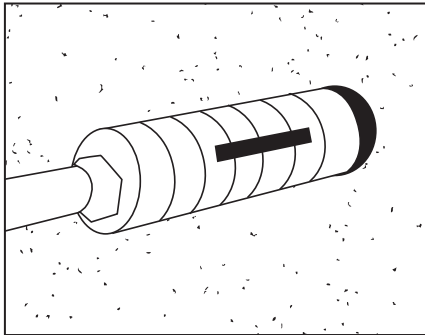
THIS DOCUMENT CONTAINS PROPRIETARY INFORMATION OF B-K LIGHTING, INC. AND ITS RECEIPT OR POSSESSION DOES NOT CONVEY ANY RIGHTS TO REPRODUCE, DISCLOSE ITS CONTENTS, OR TO MANUFACTURE, USE OR SELL ANYTHING IT MAY DESCRIBE. REPRODUCTION, DISCLOSURE OR USE WITHOUT SPECIFIC WRITTEN AUTHORIZATION OF B-K LIGHTING, INC. IS STRICTLY FORBIDDEN.



# BKSSSL Flush Mount Installation

# MINI-MICRO™ iLUME™

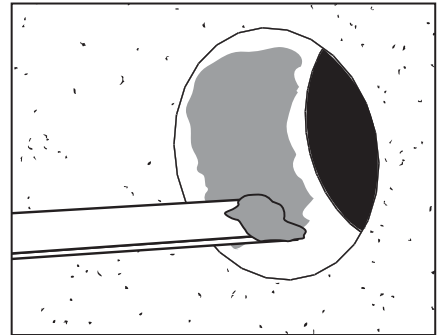
PROJECT:	
TYPE:	



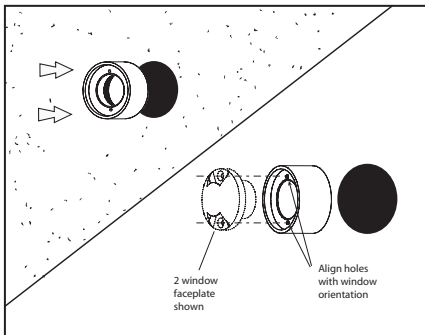
1. Drill 2-1/4" diameter hole, 3" deep minimum, for fixture.



2. Prepare epoxy according to instructions on packaging.

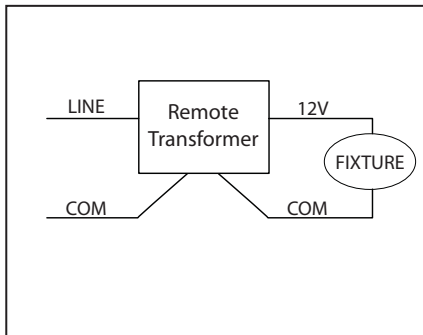


3. Use mixing stick to apply the epoxy to the interior of the 2-1/4" hole as shown.



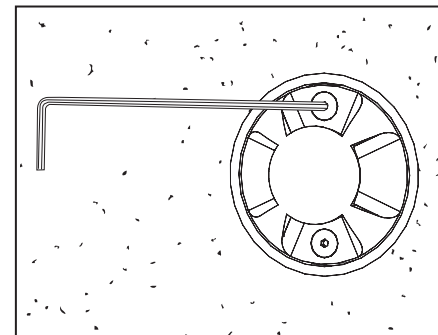
4. Fit flush mount collar into hole so it is flush with finished surface. Wipe off any excess adhesive.

**NOTE: The optical opening on faceplate will align with the threaded holes in the flush mount collar.**



5. Pull low voltage wire through flush mount collar and make two low voltage connections using proper wire connectors (By Others). Insert wires and fixture back into hole.

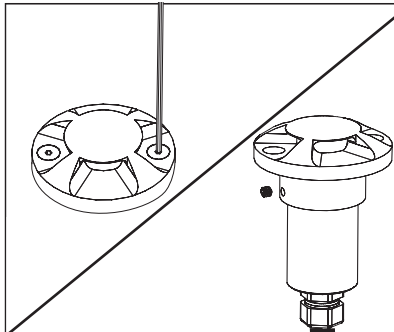
**NOTE: Leave sufficient wire length in hole for future service.**



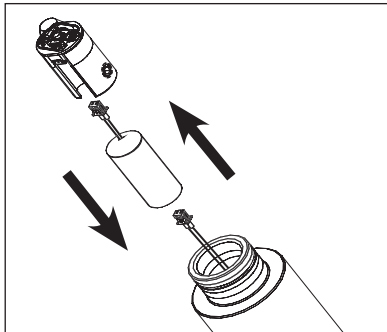
6. Mount faceplate to collar using (2) #6-32 x 5/8" flat head cap screws (provided) with 5/64" allen wrench.

## THIS PRODUCT IS AVAILABLE WITH A FACTORY INSTALLED LED.

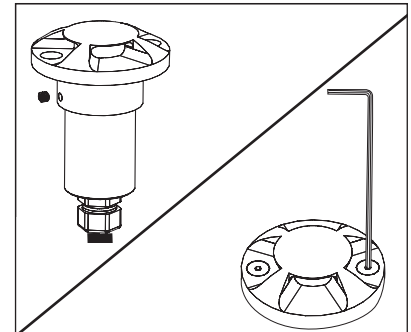
### COMPONENT REPLACEMENT - IF REQUIRED



1. Loosen #8-32 set screw on faceplate assembly using a 5/64" allen wrench and remove. Loosen set screw on collar and remove.



2. Pull the heat sink from the body to expose the LED board and Driver components. Utilize quick disconnects to change modular LED and driver components. Re-install the heat sink into body.



3. Replace faceplate assembly and tighten set screw. Re-Install fixture.

**IMPORTANT SAFETY INFORMATION LISTED ON REVERSE  
READ, FOLLOW, AND SAVE ALL SAFETY AND INSTALLATION INSTRUCTIONS**



ETL LISTED  
CONFORMS TO ANSI/UL  
STANDARD 1838 AND UL SUBJECT 8750  
CERTIFIED TO CAN/CSA  
STANDARD C22.2 NO. 9

**B-K LIGHTING**

40429 Brickyard Drive • Madera, CA 93636 • USA  
559.438.5800 • FAX 559.438.5900  
www.bklighting.com • info@bklighting.com

SUBMITTAL DATE  
01-16-12

REFERENCE NUMBER  
INS-001080.2