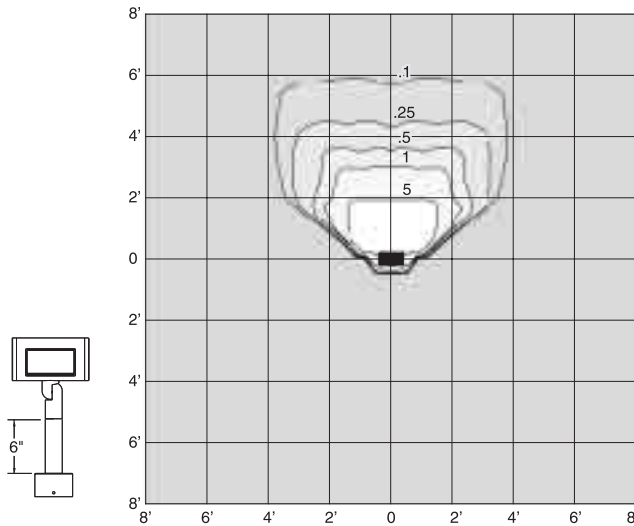


Glacier Series™

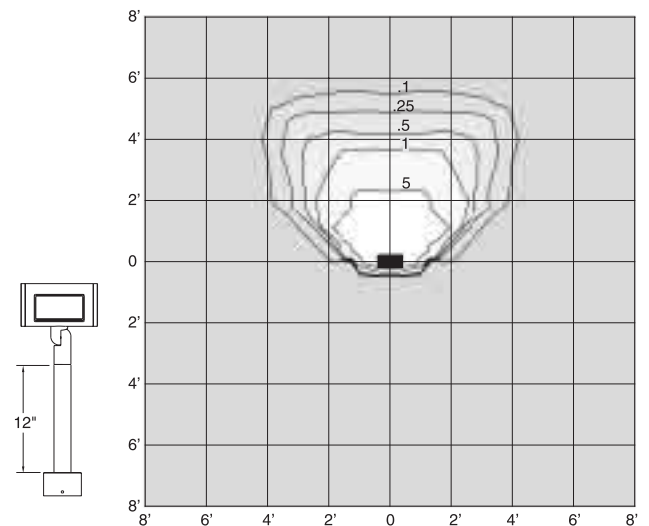
Values based on 50W T4 Lamp

Horizontal Footcandles, BK filename: T4PREFA.IES

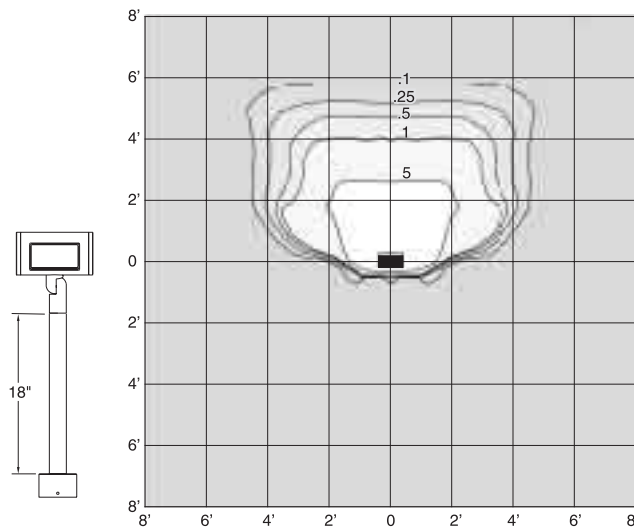
6" Mounting Height, 59° Aim Angle



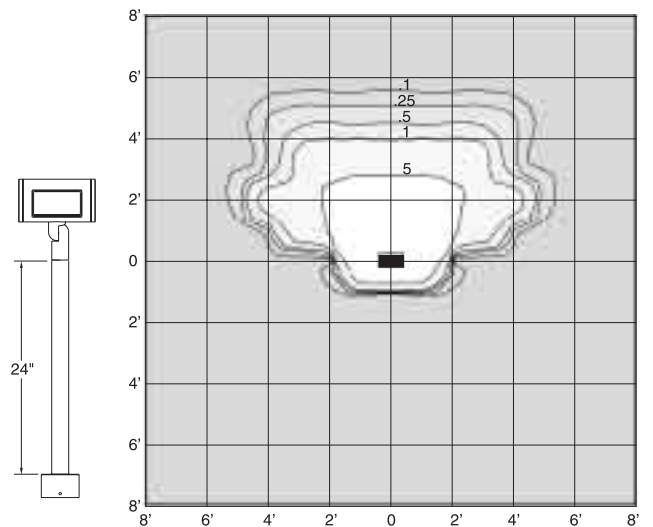
12" Mounting Height, 50° Aim Angle



18" Mounting Height, 45° Aim Angle



24" Mounting Height, 38° Aim Angle



- Note:
- All footcandle values are based on a 50W lamp at 960 lumens.
 - For 42W lamp multiply values by .84.
 - For 35W lamp multiply values by .70.
 - For 20W lamp multiply values by .40.

