

Starlines™

Time is Running Out!

The Change Will Do You Good Sweepstakes is almost over!

Still longing for a Change of Pace? Enter into the Change Will Do You Good Sweepstakes!

Due to an overwhelming response, B-K Lighting and Tekla Illumination have extended the Change Will Do You Good Sweepstakes. From now until March 7 you can still earn entries to win our Grand Prize Vacation for two to the Panama Canal including airfare! We will give away two vacation packages at this year's Spring BKU 2008, one for Sales Representatives and one for the winning specifier, contractor or distributor!

How to enter the Change Will Do You Good Sweepstakes...

Take the UPM Sample Case and show it to your specifiers, especially Contractors and Distributors.

Each time you show our UPM and Arcade Sample cases to a specifier, distributor or contractor you will be eligible to enter our Change Will Do You Good Sweepstakes!



Then simply visit our website at www.bklighting.com and fill out your entries by March 7, 2008! ★

Tee It Up...



Pictured from left to right... Kyle Kersten of P.L.P., Roger Gregston of Prudential Lighting, CEO and President of B-K Lighting Doug Hagen, and Joel Brandts of Konsortium 1.

CEO and President of B-K Lighting, Doug Hagen, tees it up with Roger Gregston from Prudential Lighting Products, in support of the Southern California Seahorses and the Biola University Women's Soccer program.

The Seahorses is a missionary group that evangelizes the message of Christ through soccer and playing in the semi-pro PDL league. Roger's daughter is a freshman this year at Biola where she plays goalie for the Eagles.

The foursome was handsomely rounded out by Kyle Kersten of P.L.P and Joel Brandts of Konsortium 1. All in attendance had a great time playing on the Alta Vista course in Placentia, California where Kyle was club pro for 3 years. "That's a pretty good ringer to have in your foursome!" stated Roger. Kyle has literally played the course "hundreds and hundreds" of times. Both his father and grandfather are club members. ★

Change is All Around at B-K Lighting!



Change has definitely occurred at B-K Lighting. With the expansion comes a restaurant, our very own Etendue Café. Located on the property, Etendue Café can accommodate all employees with an appetizing Morning Star breakfast burrito or a satisfying UPM chicken sandwich and a healthy smoothie along with gourmet coffees. After years of having to leave the building for lunch, our employees can conveniently order their lunch and have time to enjoy the quiet room or game room, also added for their enjoyment and pleasure. ★

CUSTOM CORNER Seamless Design...

CUSTOM

Six Catskill fixtures mounted on a 56" finished extrusion. The extrusion allows mounting to buildings while keeping the wiring/ballasts hidden inside the form. The actual construction was several interconnecting sections that produced a final product that looked seamless while having all the required gaskets, interconnects and seals to keep out the elements.

Custom#: CUS-1920-06-00

Project: Foxwoods Casino, Ledyard, CT

Specifier: Craig Roberts, Associates Inc., Dallas, TX

Sales Rep: Ken Royer, Apex Lighting Solutions, Middletown, CT and Randall Scott, ALA, Dallas, TX

Please save this in the "Custom" section of your B-K Lighting binder



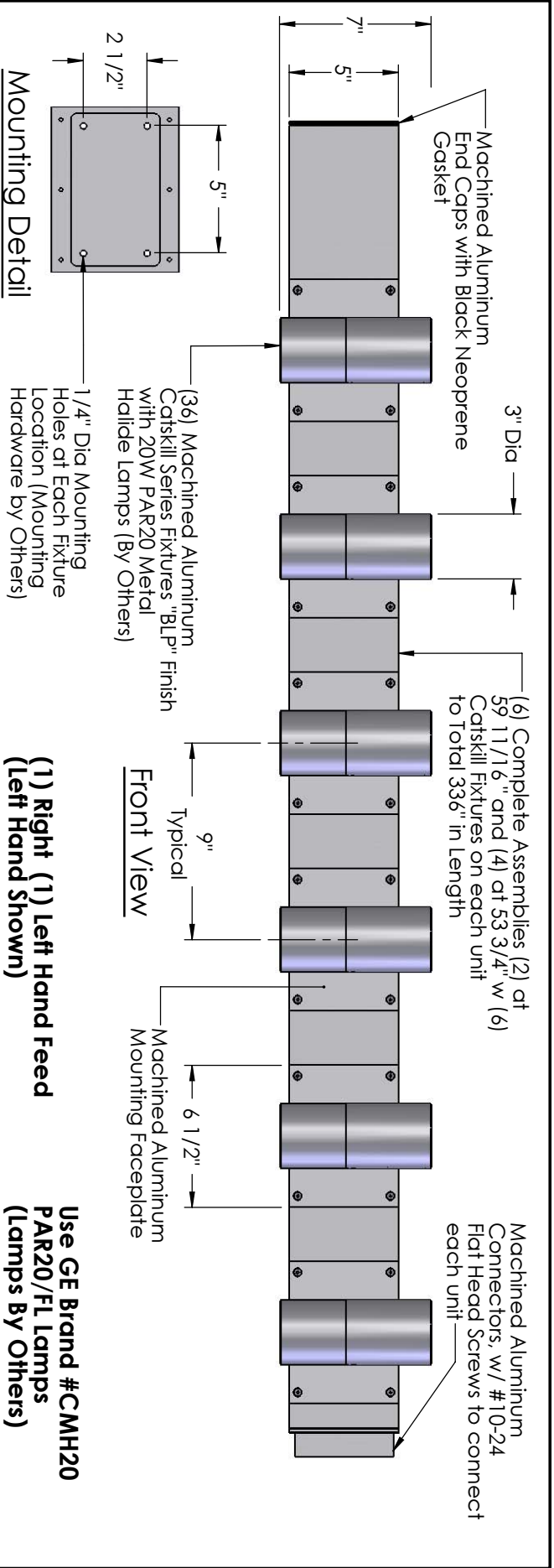
Save the Date

<p>March 6-9 BKU Madera, CA</p>	<p>March 18-19 Electrical Expo St. Louis, MO</p>
<p>March 12 LEducation New York, NY</p>	<p>May 15-17 AIA Boston, MA</p>



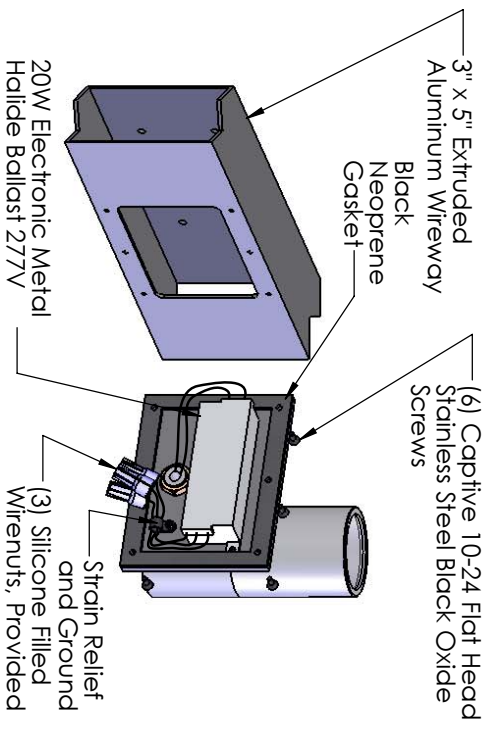
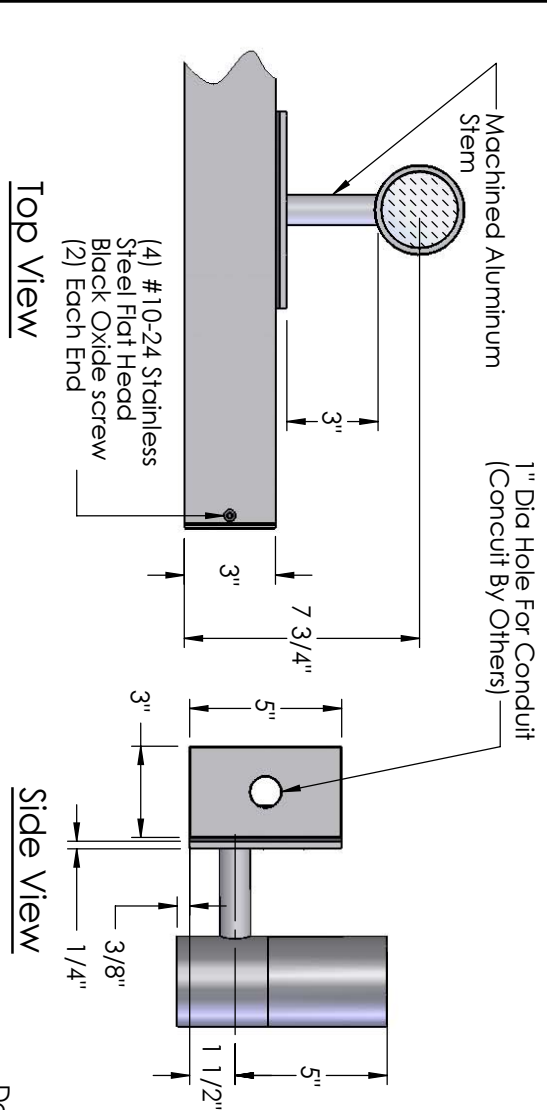
B-K LIGHTING
Quality to Last a Lifetime™

40429 Brickyard Drive • Madera, CA 93636 USA
main 559.438.5800 • fax 559.438.5900 • www.bklighting.com



(1) Right (1) Left Hand Feed (Left Hand Shown)

Use GE Brand #CMH20 PAR20/FL Lamps (Lamps By Others)



Date Rev: 9/20/07

THIS DOCUMENT CONTAINS PROPRIETARY INFORMATION OF B-K LIGHTING, AND ITS RECEIPT OR POSSESSION DOES NOT CONVEY ANY RIGHTS TO REPRODUCE, DISCLOSE ITS CONTENTS, OR TO MAKE ANY FIXTURE, USE OR SELL ANYTHING IT MAY DESCRIBE. REPRODUCTION, DISCLOSURE OR USE WITHOUT SPECIFIC WRITTEN AUTHORIZATION OF B-K LIGHTING IS STRICTLY FORBIDDEN.



(36) "BLP" CATSKILL FIXTURES ON 336" ALUMINUM BEAM	DRAWING NUMBER
9/21/06	CUS-1920-06
B-K LIGHTING, INC.	