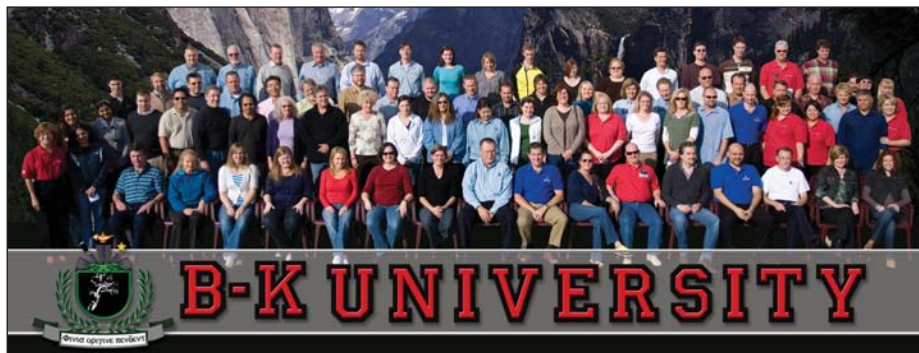


Starlines™

Congratulations to BKU Fall 2008 Xi Class Graduates!



From November 13th through 16th, B-K Lighting, TEKA Illumination, Blue Dolphin Design and Engineering, Star Finishes and Etendue Cafe hosted the fourteenth installment of B-K University in our newly expanded, world class, 'green' facility.

The Fall 2008 Xi Class consisted of 60 professional Lighting Designers, Architects, Electrical Engineers and Sales Representatives from Hawaii to Connecticut who traveled to Madera, California to learn more about our manufacturing practices and procedures.

The New Product Development class highlighted current product offerings featuring the the advanced BKSSL™ technology including Mini Micro™, Night Star™ and Artistar™. With brighter luminosity and more foot-candles, BKSSL™ is the smart choice in LED technology.

Dare To Compare resulted in 'shock and awe' as we, once again, identified manufacturing and performance differences between 'Brand X' and B-K Lighting. Simple features, such as the use of an 'O-Ring' for a water tight compression fit and engineered design features for an easier installation, can make all the difference when choosing to specify B-K products for your next project.

BKU also highlighted our 'green' manufacturing processes. Since April 2007, we've manufactured our fixtures 'off the grid' using a 240-kilowatt solar electric system that transformed the roof into a state-of-the-art renewable energy source. The solar panels supply two-thirds of our overall yearly electrical power. Visit www.bklighting.com for up to the minute tracking of our solar energy production and reduced CO2 emissions. ★

UPM™ An Innovative Design with Architectural Options



Universal Power Module™ is an Architect's best choice when retrofitting an existing building with newer more efficient lighting sources from HID to LED. UPM™ features patented NPT knockouts that reveal a concealed threaded hub for clean installation of surface conduits when knocked out. As easily as they pop out, knockouts can be reinserted. Designed with an integral high temperature 'O-Ring' to ensure a watertight seal. Visit www.bklighting.com and enter UPM in the search field for more details on our exclusive Universal Power Module™. ★

GREENSOURCE INITIATIVE

Green Team Tip

Recycling plastic bottles is required at B-K Lighting; however, only 23% of all plastic bottles are ever recycled. The Green Team at B-K Lighting recommends using a reusable bottle or ceramic container. Your GreenSource Initiative™ plastic bottle is on it's way. Look for more "Green Team Tips in future issues. ★

CORNER Temporary Perfection...

CUSTOM

Specified to illuminate a temporary construction site, this UPM custom, used for its watertight capabilities, utilized a simple hose clamp for mounting to the existing poles. Once removed, the Neoprene lined clamps will show no sign of wear on the poles.

Custom#: CUS-1908-79-00
Project: Barnes Foundation Construction Banners Philadelphia, PA
Specifier: The Lighting Practice, Inc.
Sales Rep: Illuminations, Philadelphia, PA

Please save this in the "Custom" section of your B-K Lighting binder



Save the Date

NJASLA
 January 25-27, 2009
 Atlantic City, NJ

Strategies in Light,
 Feb. 18-20, 2009
 Santa Clara, CA

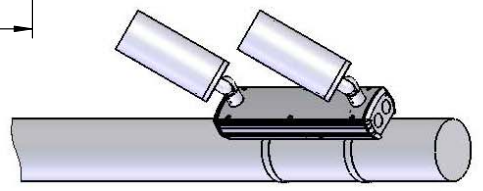
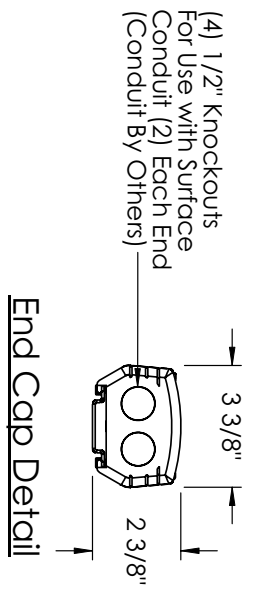
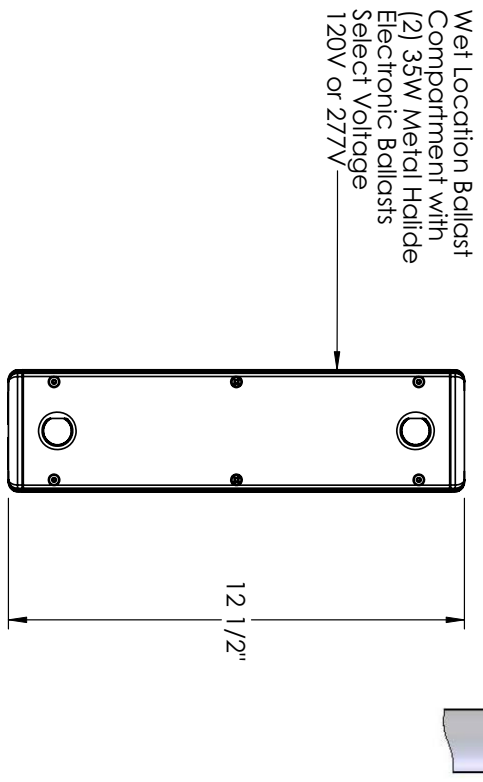
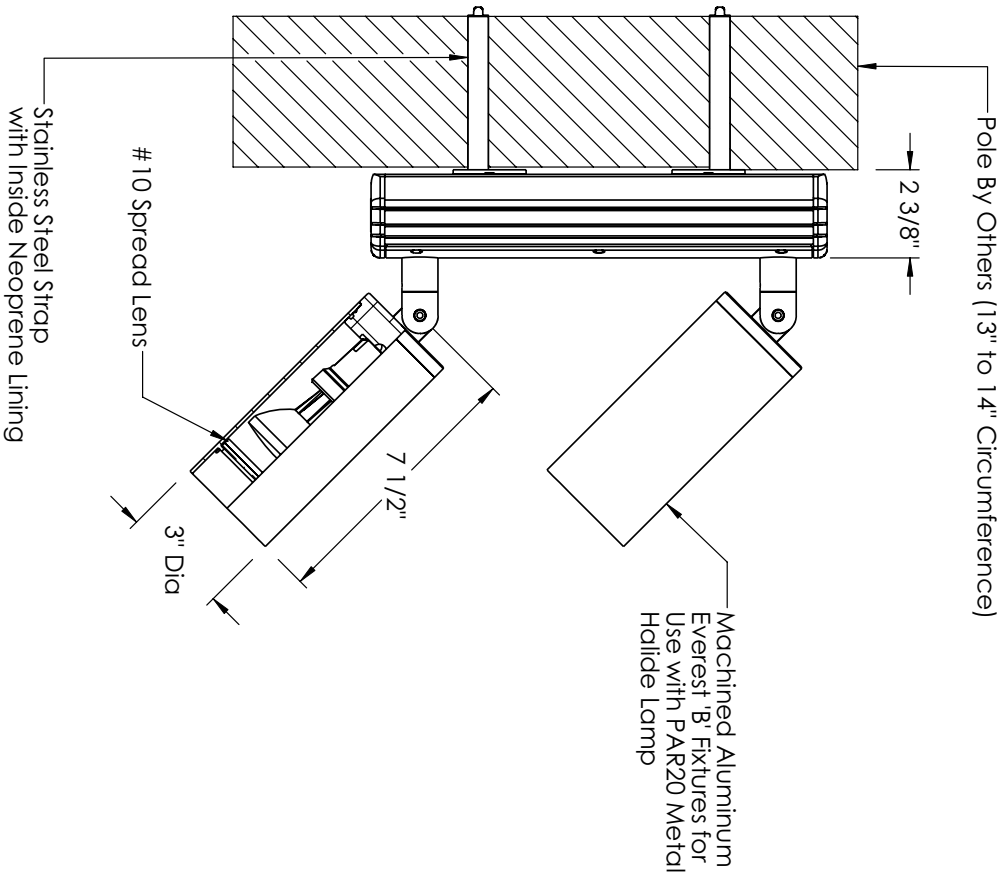
LEDucation
 March 11, 2009
 New York, NY

BKU
 March 26-29, 2009
 Madera, CA



B-K LIGHTING
 Quality to Last a Lifetime™

40429 Brickyard Drive • Madera, CA 93636 USA
 main 559.438.5800 • fax 559.438.5900 • www.bklighting.com



THIS DOCUMENT CONTAINS PROPRIETARY INFORMATION OF B-K LIGHTING AND ITS RECEIPT OR POSSESSION DOES NOT CONVEY ANY RIGHTS TO REPRODUCE, DISCLOSE ITS CONTENTS, OR TO MANUFACTURE, USE OR SELL ANYTHING IT MAY DESCRIBE. REPRODUCTION, DISCLOSURE OR USE WITHOUT SPECIFIC WRITTEN AUTHORIZATION OF B-K LIGHTING IS STRICTLY FORBIDDEN.



(2) EVEREST 'B' FIXTURES ON PM2D-H35E
B-K LIGHTING, INC.
 DRAWING NUMBER
 CUS-1908-79

09/17/08