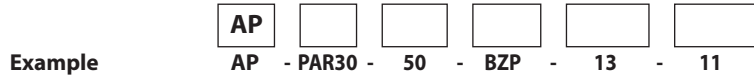


PAR30/38 Halogen

PROJECT:	
TYPE:	
CATALOG NUMBER:	
LAMP(S):	
NOTES:	

CATALOG NUMBER LOGIC



Series

AP - Alpine Series™

Source

PAR30 - PAR-30 Halogen **PAR38** - PAR-38 Halogen

Lamp

0 - By Others

PAR-30

- 50** - 50 PAR30L/H/NSP9(50W) 9° Narrow Spot
- 51** - 50 PAR30L/H/SP16(50W) 16° Spot
- 52** - 50 PAR30L/H/FL30(50W) 30° Flood
- 53** - 50 PAR30L/H/WFL40(50W) 40° Wide Flood
- 54** - 75 PAR30L/H/NSP9(75W) 9° Narrow Spot
- 55** - 75 PAR30L/H/SP16(75W) 16° Spot
- 56** - 75 PAR30L/H/FL30(75W) 30° Flood
- 57** - 75 PAR30L/H/WFL40(75W) 40° Wide Flood

PAR-38

- 75** - 90 PAR38/CAP/NSP9(90W) 9° Narrow Spot
- 76** - 90 PAR38/CAP/SP12(90W) 12° Spot
- 77** - 90 PAR38/CAP/FL30(90W) 30° Flood
- 78** - 120 PAR38/CAP/NSP10(120W) 10° Narrow Spot
- 79** - 120 PAR38/CAP/FL30(120W) 30° Flood
- 80** - 120 PAR38/CAP/FL50(120W) 50° Wide Flood

Finish

Aluminum Finish

Powder Coat Color	Satin	Wrinkle
Bronze	BZP	BZW
Black	BLP	BLW
White (Gloss)	WHP	WHW
Aluminum	SAP	—
Verde	—	VER

*Also available in Premium Finishes
See submittal SUB-1439-00 for Premium Finishes*

Lens Type

- 9** - Clear (Standard)
- 10** - Spread*
- 13** - Rectilinear*

Shielding

- 11** - Honeycomb Baffle*

* Accommodates up to 2 Lens/Shielding media

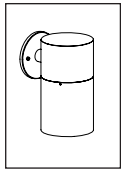
LAMP DATA

BK No.	Lamp Watts	Description	Rated Life	Center Beam Candlepower
50	50	50PAR30L/H/NSP9	3,000	7,500
51	50	50PAR30L/H/SP16	3,000	3,800
52	50	50PAR30L/H/FL30	3,000	2,350
53	50	50PAR30L/H/WFL40	3,000	950
54	75	75PAR30L/H/NSP9	3,000	12,300
55	75	75PAR30L/H/SP16	3,000	6,900
56	75	75PAR30L/H/FL30	3,000	4,100
57	75	75PAR30L/H/WFL40	3,000	1,650

BK No.	Lamp Watts	Description	Rated Life	Center Beam Candlepower
75	90	90PAR38/CAP/NSP9	2,500	19,000
76	90	90PAR38/CAP/SP12	2,500	14,300
77	90	90PAR38/CAP/FL30	2,500	3,500
78	120	120PAR38/CAP/NSP10	3,000	22,500
79	120	120PAR38/CAP/FL30	3,000	4,600
80	120	120PAR38/CAP/FL50	3,000	2,000

B-K LIGHTING	40429 Brickyard Drive • Madera, CA 93636 • USA 559.438.5800 • FAX 559.438.5900 www.bklighting.com • info@bklighting.com	SUBMITTAL DATE 5-24-10	DRAWING NUMBER SUB-1203-00
---------------------	---	---------------------------	-------------------------------

THIS DOCUMENT CONTAINS PROPRIETARY INFORMATION OF B-K LIGHTING, INC. AND ITS RECEIPT OR POSSESSION DOES NOT CONVEY ANY RIGHTS TO REPRODUCE, DISCLOSE ITS CONTENTS, OR TO MANUFACTURE, USE OR SELL ANYTHING IT MAY DESCRIBE. REPRODUCTION, DISCLOSURE OR USE WITHOUT SPECIFIC WRITTEN AUTHORIZATION OF B-K LIGHTING, INC. IS STRICTLY FORBIDDEN.



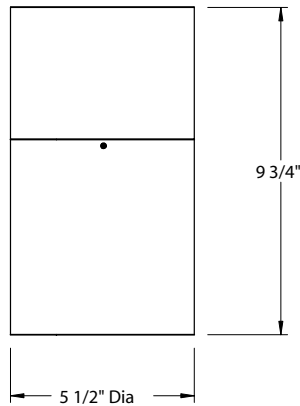
PAR30/38 Halogen

ALPINE™

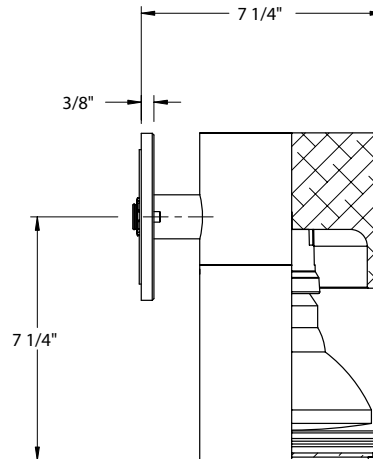
PROJECT:

TYPE:

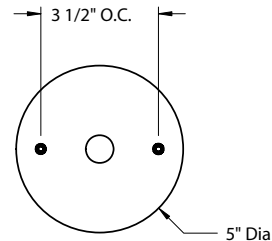
FRONT VIEW



SIDE VIEW



CANOPY DETAIL



SPECIFICATIONS

GreenSource Initiative™

Metal and packaging components are made from recycled materials. Manufactured using renewable solar energy, produced onsite. Returnable to manufacturer at end of life to ensure cradle-to-cradle handling. Packaging contains no chlorofluorocarbons (CFC's). Use of this product may qualify for GreenSource efficacy and recycling rebate(s). Consult www.bklighting.com/greensource for program requirements.

Materials

Furnished in Copper-Free Aluminum (Type 6061-T6).

Body

Fully machined from solid billet. Unibody design provides enclosed, water-proof wireway and integral heat sink for maximum component life. High temperature, silicone 'O' Ring provides water-tight seal.

Cap

Fully machined. Flush mounted lens. Accommodates up to (2) lens or louver media.

Lens

Shock resistant, tempered, clear glass lens is factory adhered to fixture cap and provides hermetically sealed optical compartment.

Lamp

For use with 75 watt maximum, PAR30L or 120 watt maximum, PAR38 line voltage halogen lamp.

Socket

Specification grade ceramic body lamp holder. Medium base, nickel-plated copper alloy lamp grip and screw shell. Corrosion resistant coil spring under center contact.

Installation

5" dia., machined canopy with stainless steel universal mounting ring permits mounting to 4" octagonal junction box (by others). Suitable for uplight or downlight installation.

Wiring

Teflon® coated wire, 18AWG, 600V, 250° C rated and certified to UL 1659 standard.

Hardware

Tamper-resistant, stainless steel hardware. Mounting screws are additionally black oxidized.

Finish

StarGuard® (Pat. Pend.), a RoHs compliant, 15 stage chromate-free process cleans and conversion coats aluminum components prior to application of Class 'A' TGIC polyester powder coating.

Warranty

5 year limited warranty.

Certification and listing

ETL Listed to ANSI/UL Standard 1598. Certified to CAN/CSA Standard C22.2 No. 250. RoHs compliant. Suitable for indoor or outdoor use. Suitable for use in wet locations. Made in USA.



*Teflon is a registered trademark of DuPont Corporation.

B-K LIGHTING

40429 Brickyard Drive • Madera, CA 93636 • USA
559.438.5800 • FAX 559.438.5900
www.bklighting.com • info@bklighting.com

SUBMITTAL DATE
5-24-10

DRAWING NUMBER
SUB-1203-00