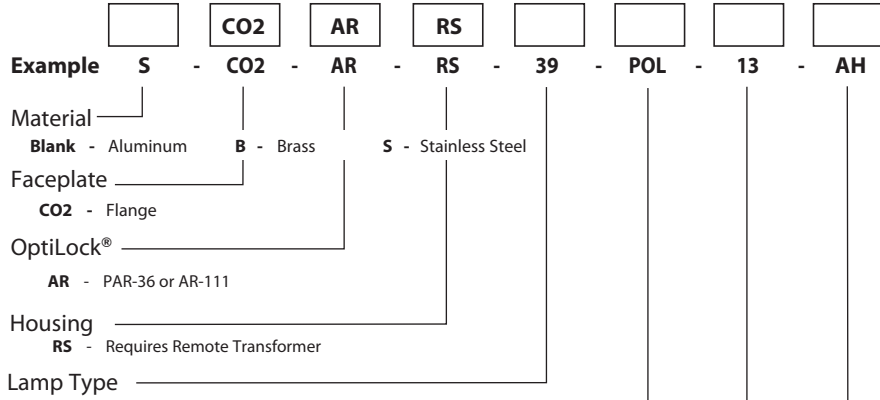


PROJECT:	
TYPE:	
CATALOG NUMBER:	
SOURCE:	
NOTES:	

CATALOG NUMBER LOGIC



- | | | | | | | | | | | | | | | | | | |
|--------|-------------------------|-----------------------------|----------------------------|------------------------|-----------------------------|----------------------------|------------------------|--------|-----------------------------|---------------------------|------------------------|-----------------------------|---------------------------|------------------------|---------------------------|------------------------|----------------------|
| PAR-36 | 25 - (18W) 50/25° Flood | 26 - (36W) 5° V Narrow Spot | 27 - (36W) 10° Narrow Spot | 28 - (36W) 30° N Flood | 29 - (50W) 5° V Narrow Spot | 30 - (50W) 10° Narrow Spot | 31 - (50W) 28° N Flood | AR-111 | 35 - (35W) 4° V Narrow Spot | 36 - (35W) 8° Narrow Spot | 37 - (35W) 25° N Flood | 38 - (50W) 4° V Narrow Spot | 39 - (50W) 8° Narrow Spot | 40 - (50W) 25° N Flood | 41 - (75W) 8° Narrow Spot | 42 - (75W) 25° N Flood | 43 - (75W) 45° Flood |
|--------|-------------------------|-----------------------------|----------------------------|------------------------|-----------------------------|----------------------------|------------------------|--------|-----------------------------|---------------------------|------------------------|-----------------------------|---------------------------|------------------------|---------------------------|------------------------|----------------------|

Finish

Aluminum & Brass Faceplates			Brass Faceplates		Stainless Faceplates			Premium Finish		
Powder Coat Color	Satin	Wrinkle	Machined	MAC	Machined	MAC	ABP Antique Brass Powder	CMG Cascade Mountain Granite	RMG Rocky Mountain Granite	
Bronze	BZP	BZW	Polished	POL	Polished	POL	AMG Aleutian Mountain Granite	CRI Cracked Ice	SDS Sonoran Desert Sandstone	
Black	BLP	BLW	Mitique™	MIT	Mitique™	MIT	AQW Antique White	CRM Cream	SMG Sierra Mountain Granite	
White (Gloss)	WHP	WHW	Stainless Faceplates			BCM Black Chrome	HUG Hunter Green	TXF Textured Forest		
Aluminum	SAP	—	Machined	MAC	Machined	MAC	BGE Beige	MDS Mojave Desert Sandstone	WCP Weathered Copper	
Verde	—	VER	Polished	POL	Polished	POL	BPP Brown Patina Powder	NBP Natural Brass Powder	WIR Weathered Iron	
			Brushed	BRU <small>Interior use only.</small>	Brushed	BRU	CAP Clear Anodized Powder	OCP Old Copper	<i>Also available in RAL Finishes See submittal SUB-1439-00</i>	

Accessory Select up to 2. Requires Accessory Holder.

- 10 - Spread Lens 11 - Honeycomb Baffle 13 - Rectilinear Lens

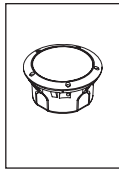
Option

- AH - Accessory Holder (Accommodates up to 2 Media)
 TC - Traction Control Lens (Replaces Flat Glass)

LAMP DATA

BK No.	Lamp Watts	Description	Rated Life	Center Beam Candlepower	BK No.	Lamp Watts	Description	Rated Life	Center Beam Candlepower
25	18	4414 PAR36*	300	1,500	36	35	AR111/8/SP	3,000	14,000
26	36	36PAR36/H	4,000	17,000	37	35	AR111/25/FL	3,000	2,500
27	36	36PAR36/H	4,000	3,500	38	50	AR111/4/VNSP	3,000	45,000
28	36	36PAR36/H	4,000	1,000	39	50	AR111/8/SP	3,000	20,000
29	50	50PAR36/H	4,000	39,000	40	50	AR111/25/FL	3,000	4,000
30	50	50PAR36/H	4,000	10,000	41	75	AR111/8/SP	3,000	30,000
31	50	50PAR36/H	4,000	1,300	42	75	AR111/25/FL	3,000	5,300
35	35	AR111/4/VNSP	3,000	40,000	43	75	AR111/45/WFL	3,000	2,000

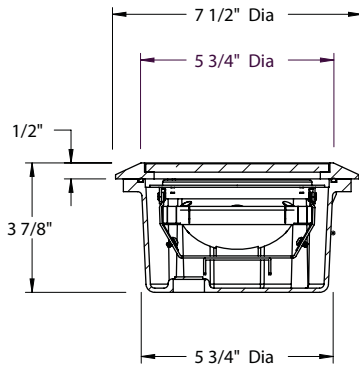
THIS DOCUMENT CONTAINS PROPRIETARY INFORMATION OF B-K LIGHTING, INC. AND ITS RECEIPT OR POSSESSION DOES NOT CONVEY ANY RIGHTS TO REPRODUCE, DISCLOSE ITS CONTENTS, OR TO MANUFACTURE, USE OR SELL ANYTHING IT MAY DESCRIBE. REPRODUCTION, DISCLOSURE OR USE WITHOUT SPECIFIC WRITTEN AUTHORIZATION OF B-K LIGHTING, INC. IS STRICTLY FORBIDDEN.



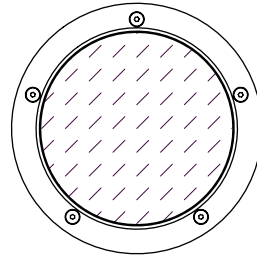
PAR-36/AR-111 • Remote Transformer (RS)

PROJECT:	
TYPE:	

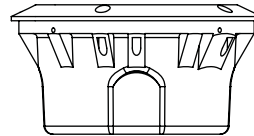
SIDE VIEW



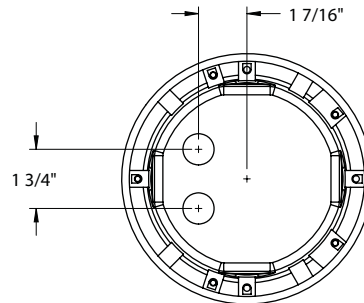
FACEPLATE



TOP SIDE VIEW



BOTTOM VIEW



All dimensions indicated on this submittal are nominal. Contact Technical Sales if you require more stringent specifications.

WARNING

This product is intended for use **ONLY** in areas of restricted depth.

The shallow housing does not permit separation between the wiring and lamp compartments.

Designer should detail the following warning in all specification documents:

MANDATORY: Installer **MUST** use water-tight fittings and ensure a sealed conduit/wiring system or this fixture will leak. Failure to do so will **VOID WARRANTY**.

SPECIFICATIONS

GreenSource Initiative™
Metal and packaging components are made from recycled materials. Manufactured using renewable solar energy, produced onsite. Returnable to manufacturer at end of life to ensure cradle-to-cradle handling. Packaging contains no chlorofluorocarbons (CFC's). Use of this product may qualify for GreenSource efficacy and recycling rebate(s). Consult www.bklighting.com/greensource for program requirements.

Fixture Housing
Corrosion-free composite, made from high strength, thermo-formed, sheet molded polyester compound. Glass reinforced, flame retardant and UV stabilized. (2) Bottom-Entry, 3/4" NPT female conduit entries with knockout plugs and (4) side flats for 1/2" or 3/4" conduit adapters.

Aiming
Dual axis OptiLock® stainless steel aiming bracket rotates 360° and provides vertical adjustment up to 14° (w/o AH) or 4° (w/ AH) from nadir. Positive lock action ensures optical orientation.

Installation
For direct burial in soil or concrete. Consult Drainage Installation Guide for In-Grade Fixtures (DIG-IT) for compliance with proper soil preparation and drainage requirements prior to installation.

Remote Transformer
For use with remote 12VAC transformer. See Low Voltage Design Guide to determine lamp-to-transformer distance and wiring requirements prior to detailing field installation of any remote wiring.

Wiring / Connectors
Teflon® coated wire, 18 gauge, 600V, 250°C rated and certified to UL1659 standard.

Lens
High heat, shock resistant, tempered 1/4" borosilicate flat glass lens. Suitable for walk-over and drive-over applications to 35,000 lbs.

Faceplate
Solid, 1/2" machined 6061T6 aluminum with (5) black oxide, captive, stainless steel mounting screws. Faceplate options include solid, 1/2" machined brass and solid, 1/2" machined stainless steel.

Finish
StarGuard® (Patent Pending), a 15 stage, chromate-free process cleans and conversion coats aluminum components prior to application of Class 'A' TGIC polyester powder coating. Brass components are available in powder coat or handcrafted metal finish. Stainless steel components are available in handcrafted metal finish. RoHS compliant.

Listings
ETL Listed to ANSI/UL Standard 1598 and Certified to CAN/CSA Standard C22.2 No. 250. RoHS compliant. IP68 Rated. Made in the USA.



*Teflon is a registered trademark of DuPont Corporation

B-K LIGHTING	40429 Brickyard Drive • Madera, CA 93636 • USA 559.438.5800 • FAX 559.438.5900 www.bklighting.com • info@bklighting.com	SUBMITTAL DATE	DRAWING NUMBER
		10-17-11	SUB-1377-00