

Remote Transformer Installation Instructions



Flammable



Warning



High Voltage



Hot Surface

TOOLS NEEDED:	
	1/8" Allen Wrench
	Waterproof Wire Connectors
	Level
	Phillips Screwdriver
	7/8" Hole Saw

INSTRUCTIONS PERTAINING TO A RISK OF FIRE, OR INJURY TO PERSONS IMPORTANT SAFETY INSTRUCTIONS

Lighted fixture is HOT! WARNING - To reduce the risk of FIRE OR INJURY TO PERSONS:

Turn off/unplug and allow to cool before replacing lamp/LED. Fixture gets HOT quickly! Contact only switch/plug when turning on. Do not touch hot lens, guard, or enclosure. Keep fixture away from materials that may burn. Do not operate the luminaire fitting with a missing or damaged shield. Do not touch the source at any time. Use a soft cloth or gloves. Oil from skin may cause damage.

SAVE THESE INSTRUCTIONS

IMPORTANT SAFETY INFORMATION - READ, FOLLOW, AND SAVE ALL SAFETY AND INSTALLATION INSTRUCTIONS

- Product must be installed by a qualified person in a manner consistent with its intended use and in compliance with the National Electrical Code, Canadian Electrical Code, and all Local and Provincial Codes.
- Follow product label information and instructions.
- Qualified Personnel with appropriate personal protective equipment must perform all servicing of this product.
- Before wiring to power supply and during servicing, turn off and lock out power at fuse or circuit breaker before service.
- The use of accessory equipment not recommended by the manufacturer or installed contrary to instructions may cause an unsafe condition. The use of damaged components may cause an unsafe condition and void product warranty.
- Do not block light emanating from product in whole or part, as this may cause an unsafe condition.
- Never operate the fixture with missing or damaged lens. Lens must be cleaned on regular basis.
- Entire fixture may become extremely hot. Do not touch hot lens or fixture body.
- Replace LED assembly only with correct wattage and type of power supply appropriate for LED assembly.
- All gaskets, o-rings and sealing surfaces must be kept clean during installation and service; failure to do this may cause an unsafe condition and void product warranty.

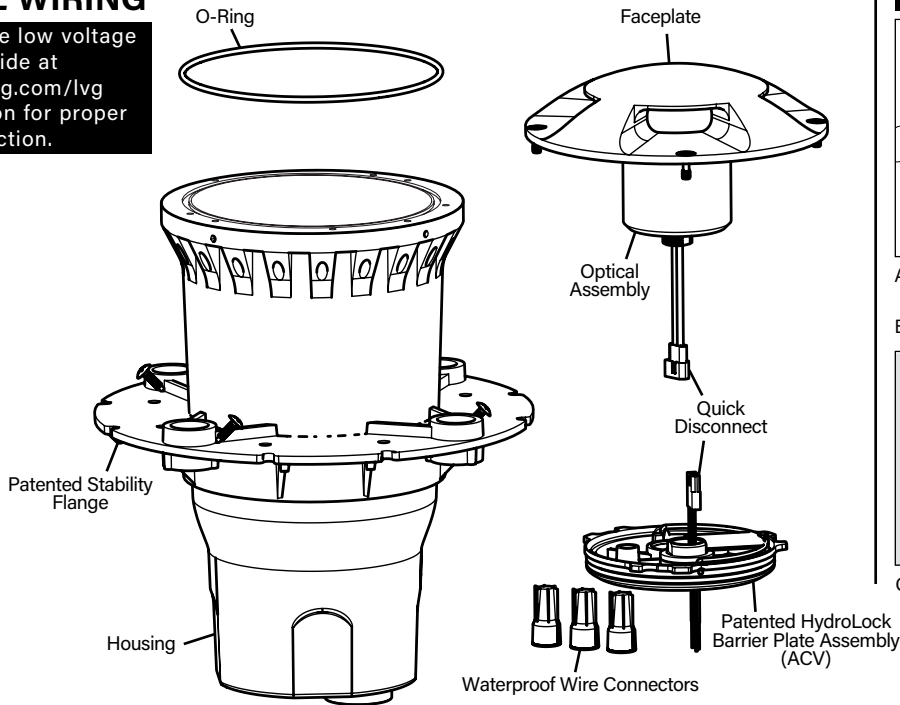
IMPORTANT LISTINGS AND CERTIFICATIONS

- Suitable for wet locations

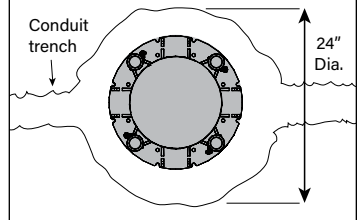
Proper soil preparation is recommended before installation. See the DIG-IT guide at www.bklighting.com/collaterals/install/digit.pdf for more information.

REMOTE WIRING

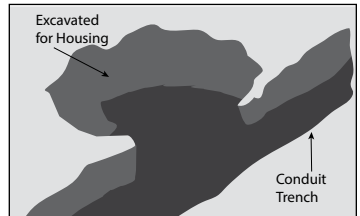
Please refer to the low voltage design guide at www.bklighting.com/lvg before installation for proper wire selection.



Soil Prep



- Determine Soil Type by referencing DIG-IT Guide.
- Dig hole 24" wide and 8" deep.



- Prep soil according to DIG-IT Guide.

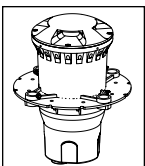
IMPORTANT SAFETY INFORMATION - READ, FOLLOW, AND SAVE THESE INSTALLATION INSTRUCTIONS

B-K LIGHTING

40429 Brickyard Drive • Madera, CA 93636 • USA
559.438.5800 • FAX 559.438.5900
www.bklighting.com • info@bklighting.com

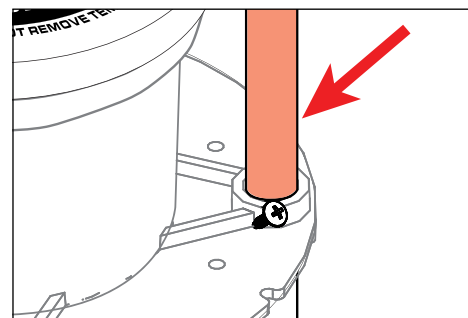
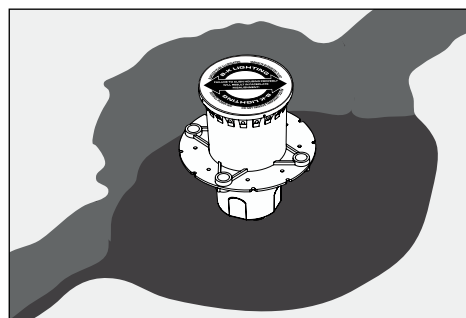
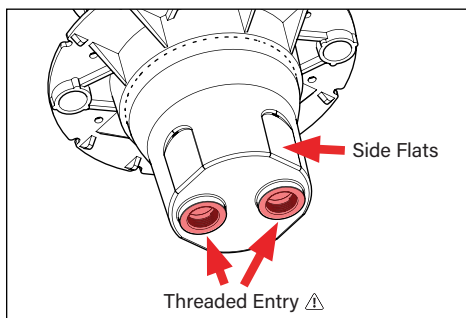
RELEASE DATE
08/02/2023

REFERENCE NUMBER
INS-2406-00



Remote Transformer Installation Instructions

Housing Installation



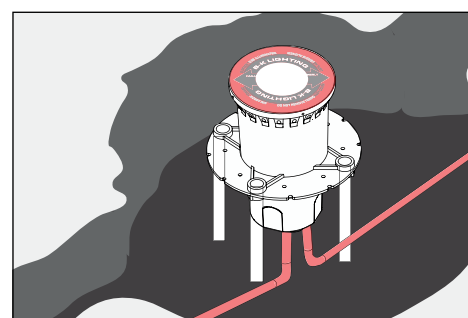
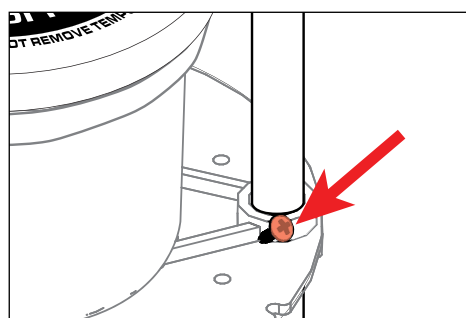
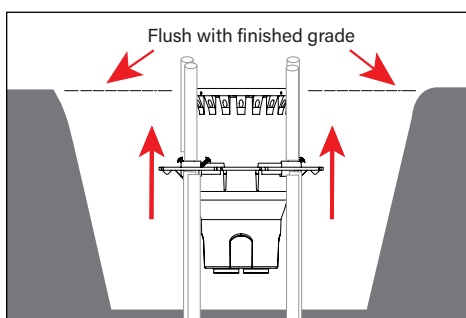
1. Connect branch conduit connectors (not included) to the junction box using either the threaded conduit entries on the bottom of the junction box or through holes drilled into the sides of the junction box.

2. Place housing in hole. Align junction box in the path of the conduit trench.

3. Insert four (4) pieces of 1/2" EMT conduit through the stability flange. Hammer into substrate until secure.

⚠️ Recommend 7/8" drill bit for side installation.

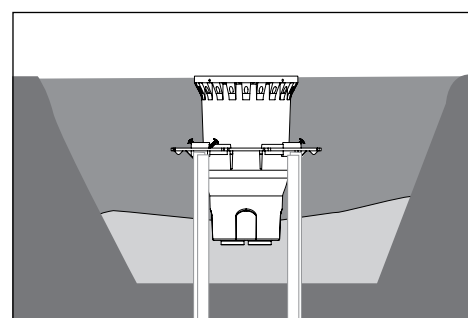
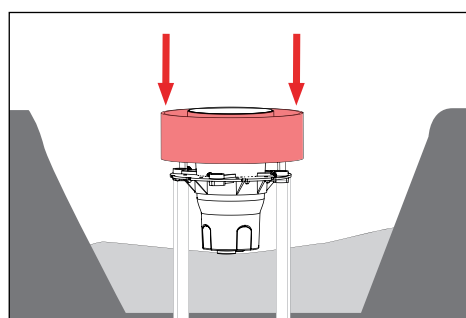
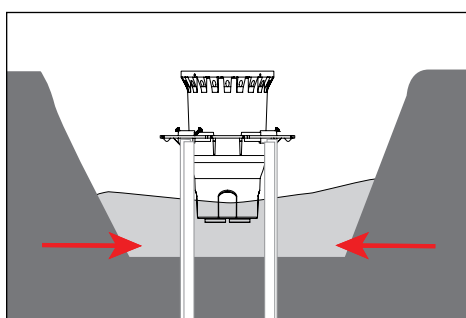
⚠️ Leave sufficient clearance to elevate housing to finished grade.



4. Raise housing on EMT so housing is flush with finished grade. Use a level to aid in housing installation.

5. When housing is level, tighten screws on stability flange to secure housing to EMT. Remove excess EMT as needed.

6. Pull primary branch circuit wiring into junction box.



7. Per DIG-IT Guide, backfill the gap between the bottom of housing and bottom of hole with sand for drainage.

8. **For soil installation:** Fill and tamp soil to the appropriate height leaving room for sod, pavers, etc. to be level with the top of the temporary cover.

9. **For concrete installation:** Fill the hole around the fixture housing to 12" below the finished grade with clean fill dirt and tamp carefully to prevent settling of fixture. Pour concrete and finish as required flush with the top surface of the temporary cover.

⚠️ Soil installation is not drive-over rated.

**IMPORTANT SAFETY INFORMATION LISTED ON REVERSE
READ, FOLLOW, AND SAVE ALL SAFETY AND INSTALLATION INSTRUCTIONS**



B-K LIGHTING

40429 Brickyard Drive • Madera, CA 93636 • USA
559.438.5800 • FAX 559.438.5900
www.bklighting.com • info@bklighting.com

RELEASE DATE
08/02/2023

REFERENCE NUMBER
INS-2179-00

