

*Standard Installation*



Flammable



Warning



Low Voltage



Hot Surface

TOOLS NEEDED:	
	1/8" Allen Wrench
	Waterproof Wire Connectors
	Small Flat Head Screwdriver
	Phillips Screwdriver
	Torque Wrench

**INSTRUCTIONS PERTAINING TO A RISK OF FIRE, OR INJURY TO PERSONS IMPORTANT SAFETY INSTRUCTIONS**

**Lighted fixture is HOT!**

**WARNING - To reduce the risk of FIRE OR INJURY TO PERSONS:**

Turn off/unplug and allow to cool before replacing lamp/LED. Fixture gets HOT quickly! Contact only switch/plug when turning on. Do not touch hot lens, guard, or enclosure. Keep fixture away from materials that may burn. Do not operate the luminaire fitting with a missing or damaged shield. Do not touch the source at any time. Use a soft cloth or gloves. Oil from skin may cause damage.

**SAVE THESE INSTRUCTIONS**

**IMPORTANT SAFETY INFORMATION - READ, FOLLOW, AND SAVE ALL SAFETY AND INSTALLATION INSTRUCTIONS**

- Product must be installed by a qualified person in a manner consistent with its intended use and in compliance with the National Electrical Code, Canadian Electrical Code, and all Local and Provincial Codes.
- Follow product label information and instructions.
- Qualified Personnel with appropriate personal protective equipment must perform all servicing of this product.
- Before wiring to power supply and during servicing, turn off and lock out power at fuse or circuit breaker before service.
- The use of accessory equipment not recommended by the manufacturer or installed contrary to instructions may cause an unsafe condition. The use of damaged components may cause an unsafe condition and void product warranty.
- Do not block light emanating from product in whole or part, as this may cause an unsafe condition.
- Never operate the fixture with missing or damaged lens. Lens must be cleaned on regular basis.
- Entire fixture may become extremely hot. Do not touch hot lens or fixture body.
- Replace LED assembly only with correct wattage and type of power supply appropriate for LED assembly.
- All gaskets, o-rings and sealing surfaces must be kept clean during installation and service; failure to do this may cause an unsafe condition and void product warranty.

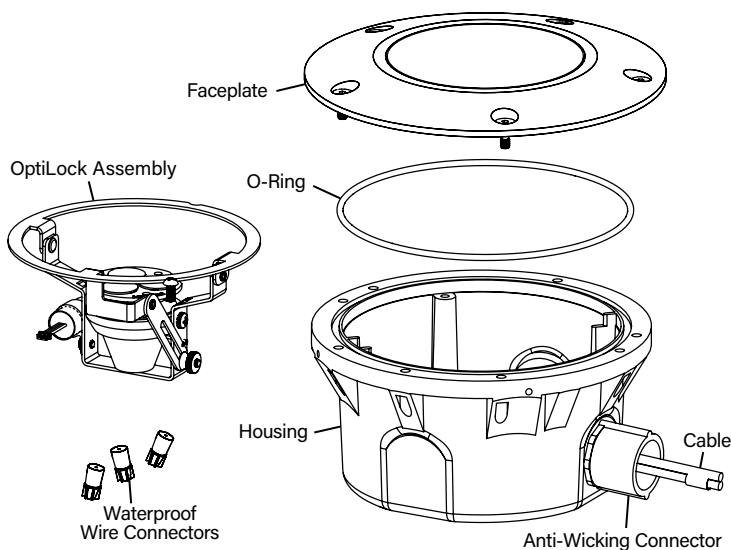
**IMPORTANT LISTINGS AND CERTIFICATIONS**

- Suitable for wet locations • Suitable for recessed in ground locations

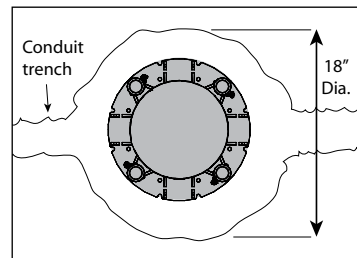
Proper soil preparation is recommended before installation. See the DIG-IT guide at [www.bklighting.com/collaterals/install/digit.pdf](http://www.bklighting.com/collaterals/install/digit.pdf) for more information.



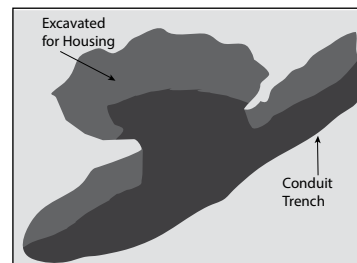
**Installer To Provide DRY CONDUIT SYSTEM**



**Soil Prep**



- Determine Soil Type by referencing DIG-IT Guide.
- Dig hole 18" wide and 20" deep.



- Prep soil according to DIG-IT Guide.

**IMPORTANT SAFETY INFORMATION - READ, FOLLOW, AND SAVE THESE INSTALLATION INSTRUCTIONS**

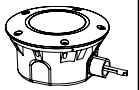
**B-K LIGHTING**

40429 Brickyard Drive • Madera, CA 93636 • USA  
559.438.5800 • FAX 559.438.5900  
[www.bklighting.com](http://www.bklighting.com) • [info@bklighting.com](mailto:info@bklighting.com)

RELEASE DATE  
**08/10/2023**

REFERENCE NUMBER  
**INS-2378-00**

THIS DOCUMENT CONTAINS PROPRIETARY INFORMATION OF B-K LIGHTING, INC. AND ITS RECEIPT OR POSSESSION DOES NOT CONVEY ANY RIGHTS TO REPRODUCE, DISCLOSE ITS CONTENTS, OR TO MANUFACTURE, USE OR SELL ANYTHING IT MAY DESCRIBE. REPRODUCTION, DISCLOSURE OR USE WITHOUT SPECIFIC WRITTEN AUTHORIZATION OF B-K LIGHTING, INC. IS STRICTLY FORBIDDEN.



Standard Installation

**WARNING**



**This product is intended for use ONLY in areas of restricted depth.**

**Designer should detail the following warning in all specifications documents:**

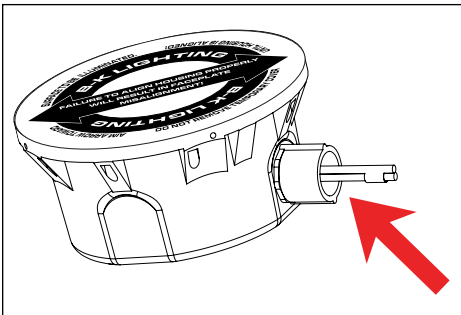


**Installer To Provide DRY CONDUIT SYSTEM**

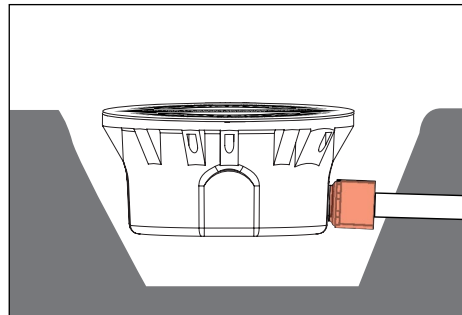


**MANDATORY:** Installer **MUST** use water-tight fittings and ensure a sealed conduit/wiring system or this fixture will leak. Failure to do so will **VOID WARRANTY.**

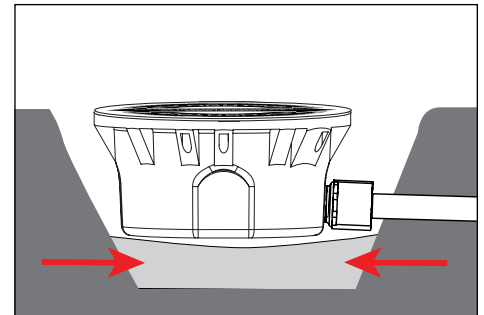
**Housing Installation**



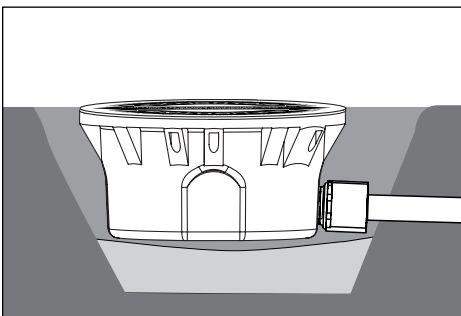
1. Secondary wiring is pre-wired with 5' leads. Pull 5' secondary leads from shallow CO2 housing through 3/4" conduit. Make watertight connections to secondary side of remote transformer using waterproof wire connectors in a waterproof splice compartment (not included) as per NEC.



2. Place housing in excavated hole. Align power cord with leads in the path of the conduit trench(es).



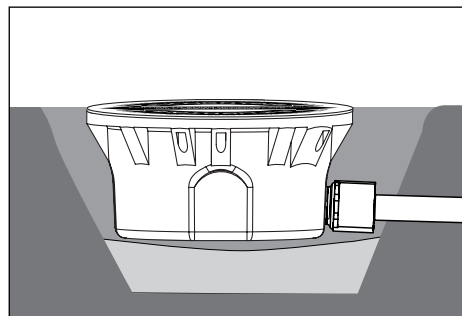
3. Per DIG-IT Guide, backfill the gap between the bottom of housing and bottom of hole with sand for drainage.



4. **For soil installation:** Fill and tamp soil to the appropriate height leaving room for sod, pavers, etc. to be level with the top of the faceplate.

**⚠ Under no circumstances should the faceplate be below grade after installation.**

**⚠ Soil installation is not drive-over rated.**

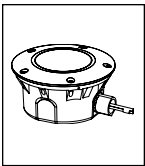


5. **For concrete installation:** Fill the hole around the fixture housing to 12" below the finished grade with clean fill dirt and tamp carefully to prevent settling of fixture. Pour concrete and finish as required flush with the top surface of the temporary cover.

**⚠ Under no circumstances should the faceplate be below grade after installation.**

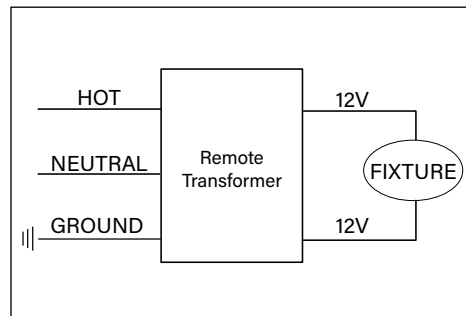
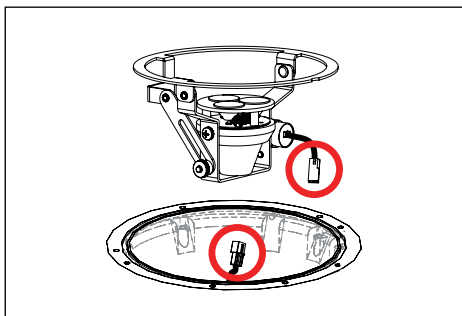
**IMPORTANT SAFETY INFORMATION LISTED ON REVERSE  
READ, FOLLOW, AND SAVE ALL SAFETY AND INSTALLATION INSTRUCTIONS**





# Standard Installation

## Fixture Installation

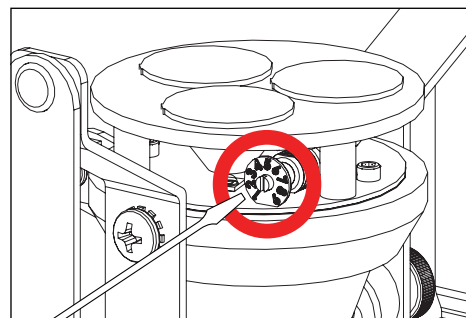
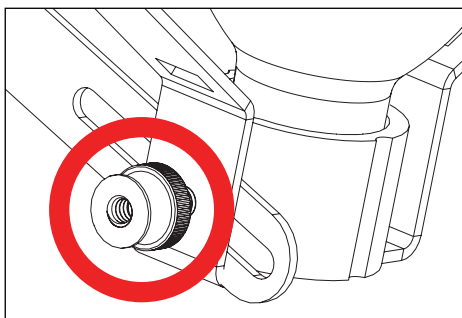
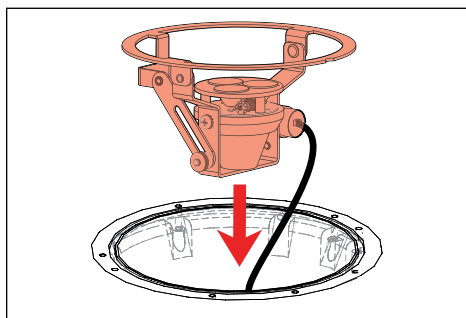


1. Remove temporary cover.

2. Connect OptiLock to secondary wiring via quick disconnect. Leads are labelled. Secondary wiring cable goes to splice location as per NEC. Make watertight connections from remote magnetic transformer to secondary cable wiring as per NEC. See wiring diagram.

### WIRING DIAGRAM

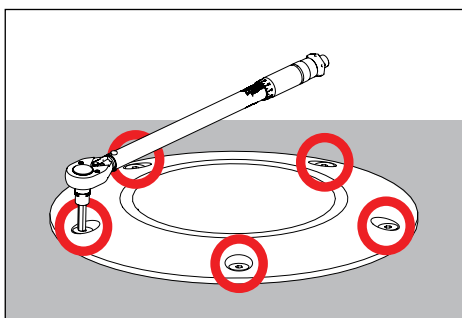
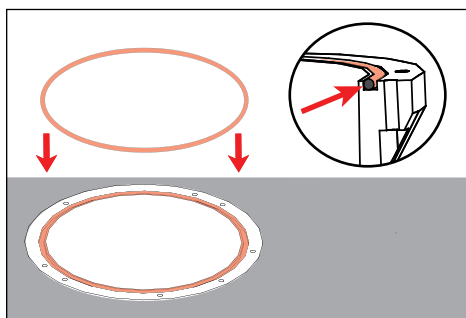
**⚠ LED - For use with 12VAC LED remote transformer or magnetic transformers only. B-K Lighting cannot guarantee performance with third party manufacturers' transformers.**



3. Place OptiLock in CO2 housing and align keyhole notch under one of two (2) #8 screw heads. Rotate horizontally to desired aiming position, then tighten two (2) #8 phillips screws using phillips screwdriver.

4. Aim vertically by turning the thumbscrew on OptiLock assembly.

5. With flat head screw driver rotate Adjust-e-Lume dial to desired lumen output.



6. Remove any dirt or debris in o-ring groove near top of housing. Place o-ring inside of groove.

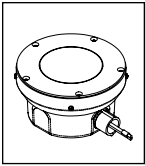
7. Install faceplate using a 1/8" allen wrench and hand-tighten the five (5) #10-24 faceplate screws in a star pattern to 30 in-lbs. min.

**⚠ Failure to clean groove of debris will cause fixture to fail and void product warranty.**

**⚠ Do not use a power tool to install screws. Do not exceed 40 in-lbs.**

## IMPORTANT SAFETY INFORMATION LISTED ON REVERSE READ, FOLLOW, AND SAVE ALL SAFETY AND INSTALLATION INSTRUCTIONS





## Relamping and Optic Replacement



Flammable



Warning



High Voltage

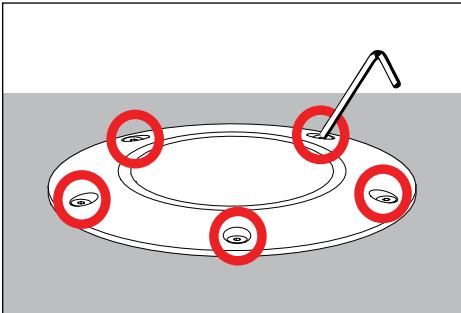


Hot Surface

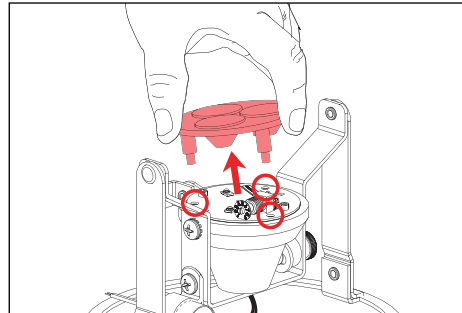
### TOOLS NEEDED:

- 1/8" & 5/64" Allen Wrench
- Phillips Screwdriver
- Small Flat Head Screwdriver
- Torque Wrench

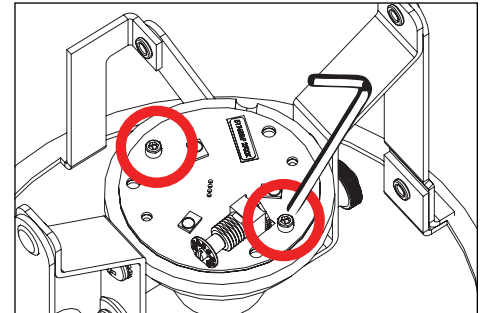
## Relamping and/or Optic Replacement if Required for LED



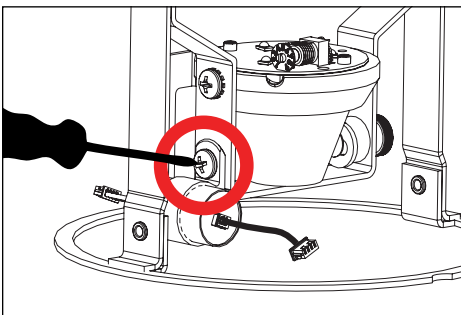
1. Remove faceplate using a 1/8" allen wrench.



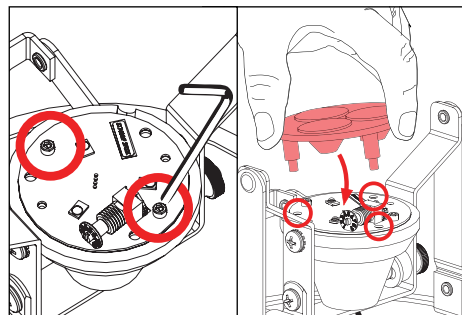
2. Space three fingers evenly around the optic and gently rock optic to remove.



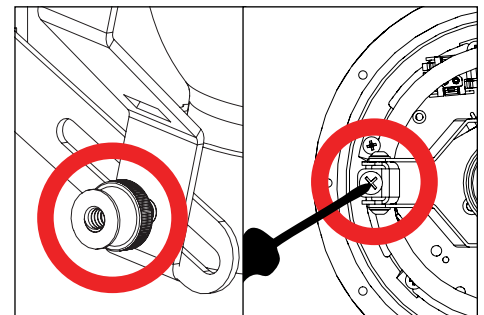
3. Use a 5/64" allen wrench to remove two (2) #2-56 screws on LED board. Grasp LED board gently and expose quick disconnect. Disengage LED board from driver assembly.



4. Use phillips screwdriver to loosen #8-32 phillips screw on driver bracket on OptiLock. Disconnect driver from fixture via quick disconnect. Replace old driver. Place new driver in bracket, then tighten #8-32 phillips screw to secure new driver to OptiLock. Reconnect new replacement driver to fixture and to LED board via quick disconnects.

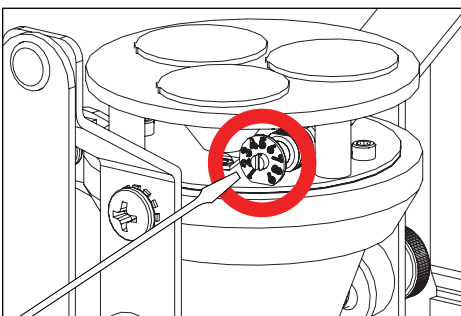


5. Secure LED board to heatsink by tightening two (2) #2-56 screws on LED board using a 5/64" allen wrench. Carefully snap optics back into tabs on LED board.

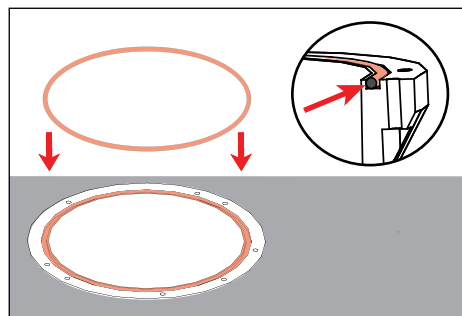


6. **If OptiLock Has Thumbscrew Aim:** Aim vertically by turning the thumbscrew on OptiLock assembly.

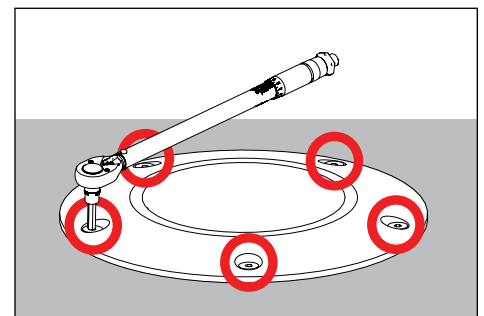
7. **If OptiLock Has Tilt Assembly Aim:** Aim vertically by turning the #10 phillips head screw on OptiLock assembly with phillips screwdriver.



8. With flat head screw driver rotate Adjust-e-Lume dial to desired lumen output.



9. Remove any dirt or debris in o-ring groove near top of housing. Place o-ring inside of groove. Clean lens if needed.



10. Install faceplate using a 1/8" allen wrench and hand-tighten the faceplate screws in a star pattern to 30 in-lbs. min.

**⚠ Failure to clean groove of debris will cause fixture to fail and void product warranty.**

**⚠ Do not use a power tool to install screws. Do not exceed 40 in-lbs.**

## IMPORTANT SAFETY INFORMATION - READ, FOLLOW, AND SAVE THESE INSTALLATION INSTRUCTIONS

# B-K LIGHTING

40429 Brickyard Drive • Madera, CA 93636 • USA  
559.438.5800 • FAX 559.438.5900  
www.bklighting.com • info@bklighting.com

RELEASE DATE  
08/10/2023

REFERENCE NUMBER  
INS000012

THIS DOCUMENT CONTAINS PROPRIETARY INFORMATION OF B-K LIGHTING, INC. AND ITS RECEIPT OR POSSESSION DOES NOT CONVEY ANY RIGHTS TO REPRODUCE, DISCLOSE ITS CONTENTS, OR TO MANUFACTURE, USE OR SELL ANYTHING IT MAY DESCRIBE. REPRODUCTION, DISCLOSURE OR USE WITHOUT SPECIFIC WRITTEN AUTHORIZATION OF B-K LIGHTING, INC. IS STRICTLY FORBIDDEN.