

Standard Installation



Flammable



Warning



High Voltage



Hot Surface

TOOLS NEEDED:		5/64", 9/64" & .050" Allen Wrench
		Waterproof Wire Connectors
		Silicone

**INSTRUCTIONS PERTAINING TO
A RISK OF FIRE, OR INJURY
TO PERSONS IMPORTANT SAFETY
INSTRUCTIONS**

Lighted fixture is HOT!

**WARNING - To reduce the risk of
FIRE OR INJURY TO PERSONS:**

Turn off/unplug and allow to cool before replacing lamp/LED. Fixture gets HOT quickly! Contact only switch/plug when turning on. Do not touch hot lens, guard, or enclosure. Keep fixture away from materials that may burn. Do not operate the luminaire fitting with a missing or damaged shield. Do not touch the source at any time. Use a soft cloth or gloves. Oil from skin may cause damage.

SAVE THESE INSTRUCTIONS

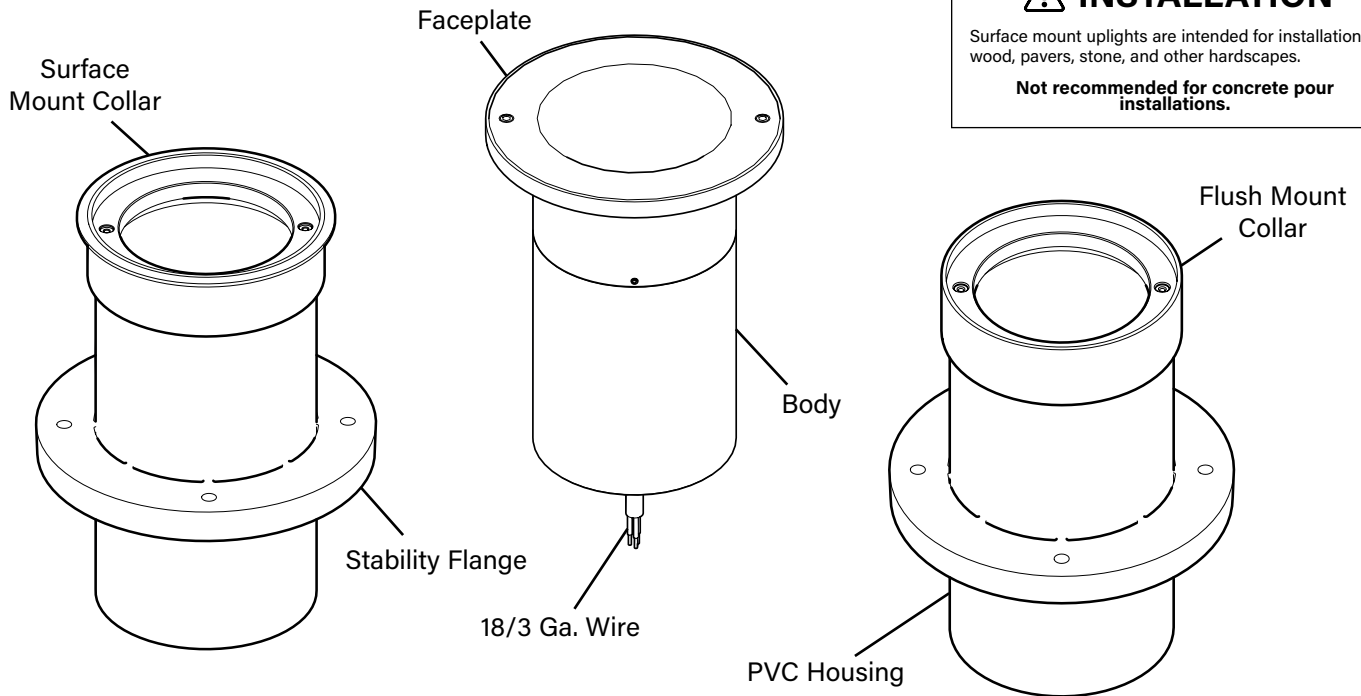
**IMPORTANT SAFETY INFORMATION - READ, FOLLOW, AND SAVE ALL
SAFETY AND INSTALLATION INSTRUCTIONS**

- Product must be installed by a qualified person in a manner consistent with its intended use and in compliance with the National Electrical Code, Canadian Electrical Code, and all Local and Provincial Codes.
- Follow product label information and instructions.
- Qualified Personnel with appropriate personal protective equipment must perform all servicing of this product.
- Before wiring to power supply and during servicing, turn off and lock out power at fuse or circuit breaker before service.
- The use of accessory equipment not recommended by the manufacturer or installed contrary to instructions may cause an unsafe condition. The use of damaged components may cause an unsafe condition and void product warranty.
- Do not block light emanating from product in whole or part, as this may cause an unsafe condition.
- Never operate the fixture with missing or damaged lens. Lens must be cleaned on regular basis.
- Entire fixture may become extremely hot. Do not touch hot lens or fixture body.
- Replace LED assembly only with correct wattage and type of power supply appropriate for LED assembly.
- All gaskets, o-rings and sealing surfaces must be kept clean during installation and service; failure to do this may cause an unsafe condition and void product warranty.

IMPORTANT LISTINGS AND CERTIFICATIONS

- Suitable for wet locations

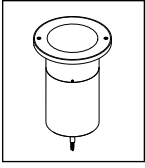
Please refer to the low voltage design guide at www.bklighting.com/lvguide before installation for proper wire selection.



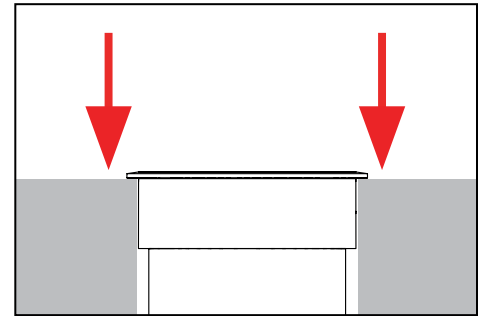
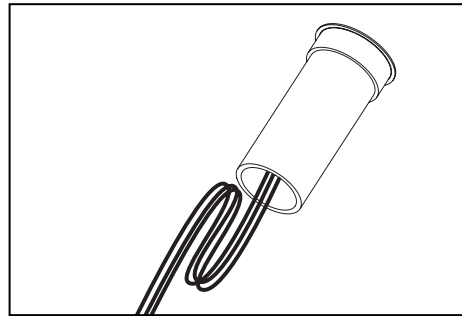
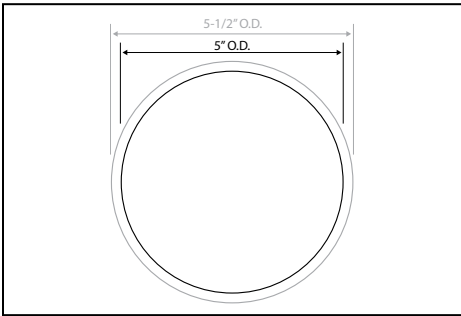
⚠ INSTALLATION
Surface mount uplights are intended for installation in wood, pavers, stone, and other hardscapes.
Not recommended for concrete pour installations.

**IMPORTANT SAFETY INFORMATION - READ, FOLLOW, AND SAVE THESE INSTALLATION
INSTRUCTIONS**

B-K LIGHTING	40429 Brickyard Drive • Madera, CA 93636 • USA 559.438.5800 • FAX 559.438.5900 www.bklighting.com • info@bklighting.com	RELEASE DATE 05/15/2023	REFERENCE NUMBER INS-1873-00
	THIS DOCUMENT CONTAINS PROPRIETARY INFORMATION OF B-K LIGHTING, INC. AND ITS RECEIPT OR POSSESSION DOES NOT CONVEY ANY RIGHTS TO REPRODUCE, DISCLOSE ITS CONTENTS, OR TO MANUFACTURE, USE OR SELL ANYTHING IT MAY DESCRIBE. REPRODUCTION, DISCLOSURE OR USE WITHOUT SPECIFIC WRITTEN AUTHORIZATION OF B-K LIGHTING, INC. IS STRICTLY FORBIDDEN.		



*Standard Installation - Surface Mount Installation
(Wood, Stone, and other Hardscapes)*



1. Drill 6" diameter hole into mounting surface at upright installation location as per lighting plan. Do not exceed surface diameter, installation relies on surface mount collar resting on surface grade. Collar diameter is 6". Surface mount flange is 6-1/2" diameter

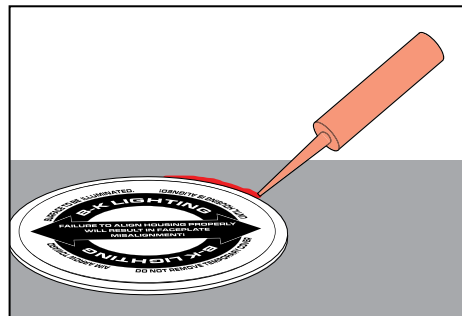
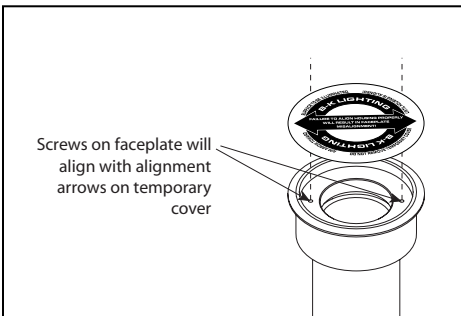
2. Loop minimum of 6" of wiring inside housing to allow for fixture service.

3. Place housing into hole. Surface mount collar should rest on finished surface grade.

⚠ NOTE: Do not remove temporary cover!

⚠ NOTE: Do not remove temporary cover!

Pull primary branch circuit wiring.



4. Align holes to final installation orientation. Arrows on temporary cover point towards screw location on faceplate for alignment purposes.

5. Use a silicone based sealant (not included) between fixture and mounting surface.

⚠ NOTE: Do not remove temporary cover until installation of faceplate.

**IMPORTANT SAFETY INFORMATION LISTED ON REVERSE
READ, FOLLOW, AND SAVE ALL SAFETY AND INSTALLATION INSTRUCTIONS**

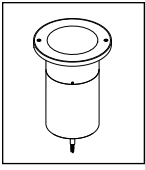


B-K LIGHTING

40429 Brickyard Drive • Madera, CA 93636 • USA
559.438.5800 • FAX 559.438.5900
www.bklighting.com • info@bklighting.com

RELEASE DATE
05/15/2023

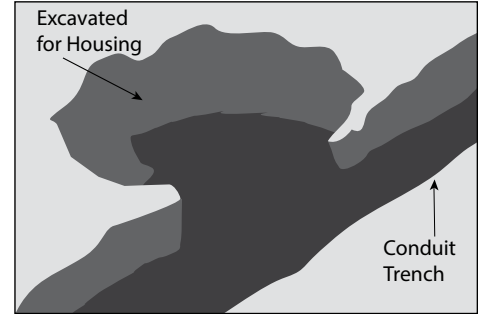
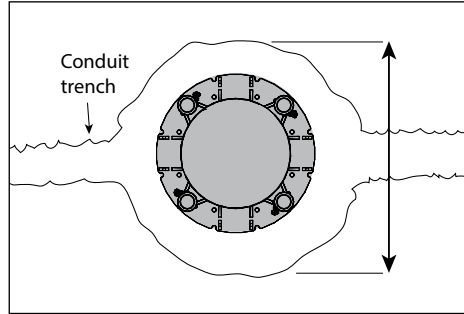
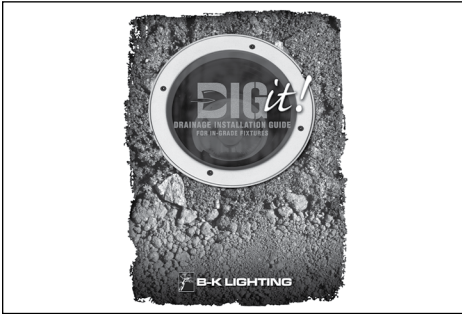
REFERENCE NUMBER
INS-1873-00



*Standard Installation - Flush Mount Installation
(Concrete)*

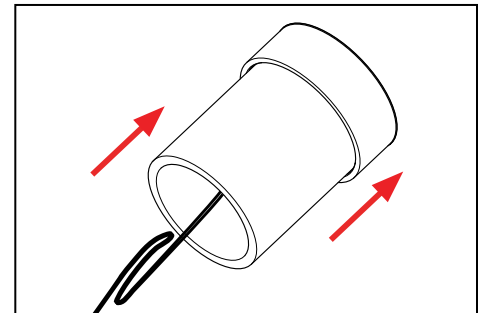
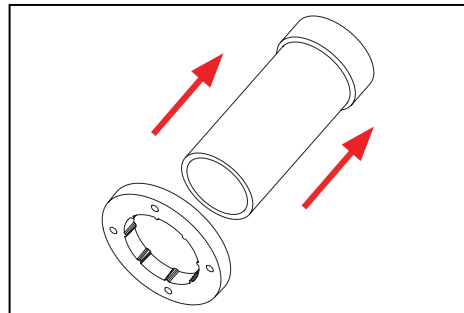
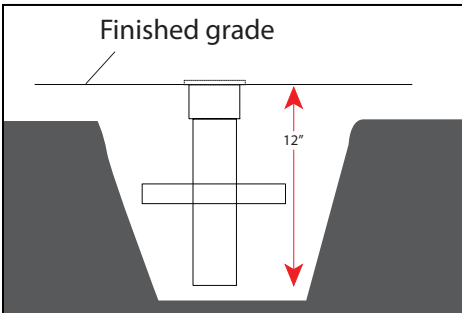
In-Ground Installation Instructions

Soil Prep



- A. Determine Soil Type by referencing DIG-IT Guide. Prep soil according to DIG-IT Guide.
- B. Dig hole 15" wide and 12" deep.
- C. Prep soil according to DIG-IT Guide.

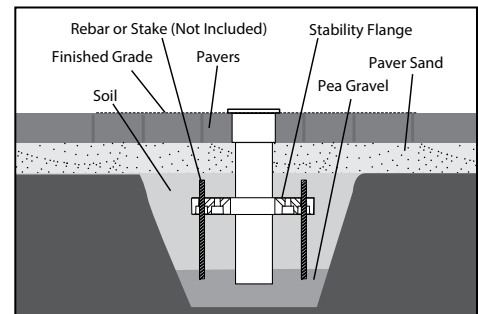
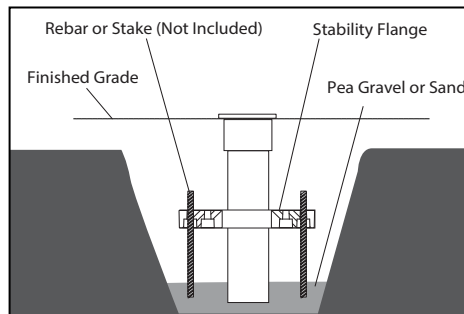
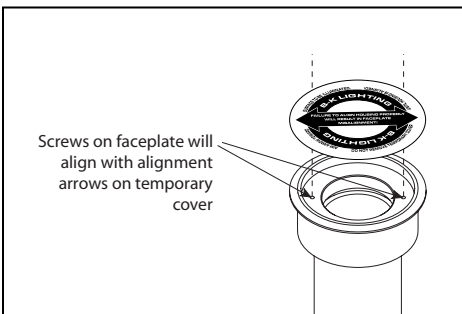
Fixture Installation Surface Mount



- 1. Excavate trench according to designed lighting plan 12" deep and 15" wide suitable for the fixture housing.
- 2. Supply primary 120V, branch circuit wiring necessary for installation.
- 3. Slide stability flange onto housing.
- 4. Loop minimum of 6" wire inside housing to allow for fixture service. Place fixture in hole.

NOTE: Product is supplied with a stability flange to anchor fixture and aid in installation.

NOTE: Do not remove temporary cover!



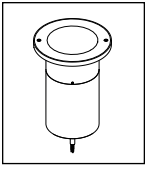
- 5. Align holes to final installation orientation. Arrows on temporary cover point towards screw location on faceplate for alignment purposes.
- 6. Per DIG-IT Guide, backfill the gap between the bottom of housing and bottom of hole with sand or pea gravel for drainage.
- 7. Fill with soil, then compress. Layer paver sand as required for paver installation, then install pavers. Pavers may need to be cut to fit around housing.

NOTE: Do not remove temporary cover until installation of faceplate.

NOTE: The mounting collar must be flush to finished grade. Use stability flange to aid in installation as shown. Fixture is provided with 5ft leads.

**IMPORTANT SAFETY INFORMATION LISTED ON REVERSE
READ, FOLLOW, AND SAVE ALL SAFETY AND INSTALLATION INSTRUCTIONS**

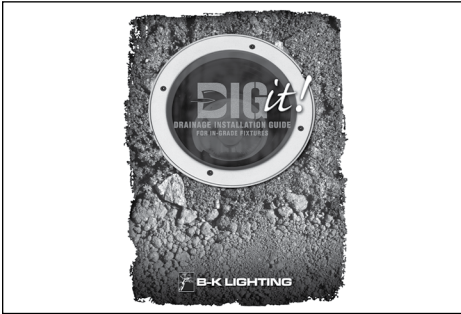




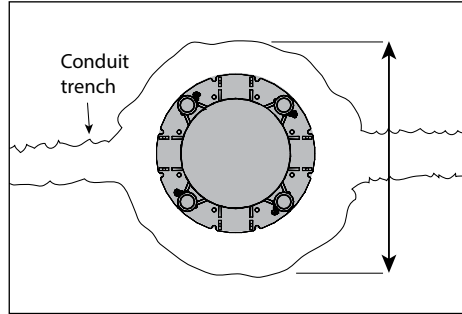
Standard Installation

In-Ground Installation Instructions

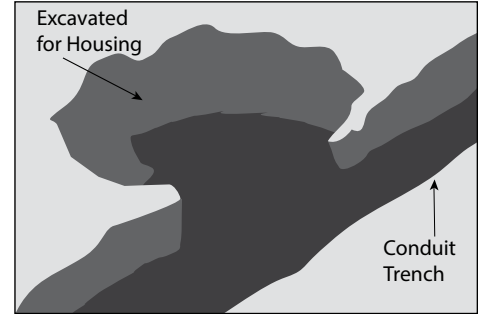
Soil Prep



A. Determine Soil Type by referencing DIG-IT Guide. Prep soil according to DIG-IT Guide.

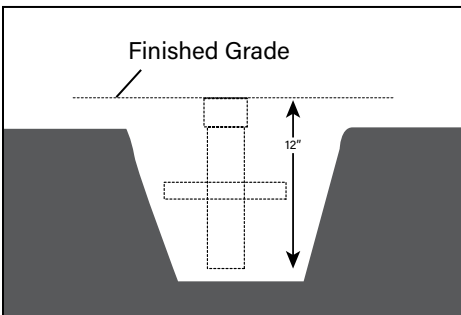


B. Dig hole 15" wide and 12" deep.

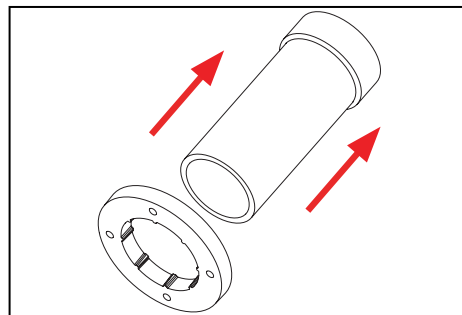


C. Prep soil according to DIG-IT Guide.

Fixture Installation Flush Mount

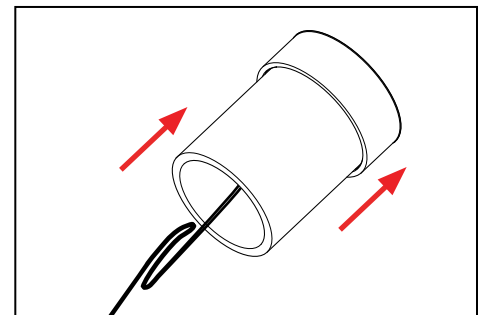


- Excavate trench according to designed lighting plan 12" deep and 15" wide suitable for the fixture housing.
- Supply remote wiring necessary for installation.



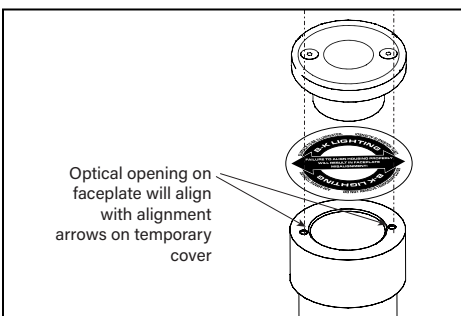
3. Slide stability flange onto housing.

⚠ NOTE: Product is supplied with a stability flange to anchor fixture and aid in installation.



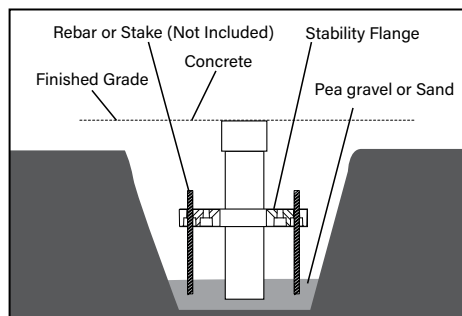
4. Loop minimum of 6" wire inside housing to allow for fixture service. Place fixture in hole.

⚠ NOTE: Do not remove temporary cover!



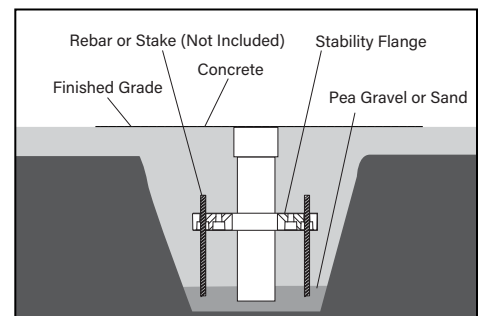
5. Align holes to final installation orientation. Arrows on temporary cover point towards screw location on faceplate for alignment purposes.

⚠ NOTE: Do not remove temporary cover until installation of faceplate.



6. Per DIG-IT Guide, backfill the gap between the bottom of housing and bottom of hole with sand or pea gravel for drainage.

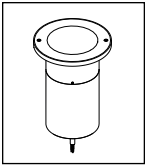
⚠ NOTE: The mounting collar must be flush to finished grade. Use stability flange to aid in installation as shown. Fixture is provided with 5ft leads.



7. Fill with soil, then compress. Layer paver sand as required for paver installation, then install pavers. Pavers may need to be cut to fit around housing.

**IMPORTANT SAFETY INFORMATION LISTED ON REVERSE
READ, FOLLOW, AND SAVE ALL SAFETY AND INSTALLATION INSTRUCTIONS**



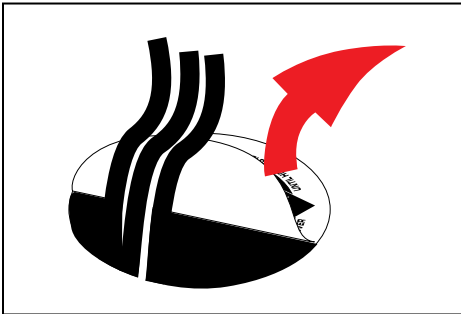


Standard Installation

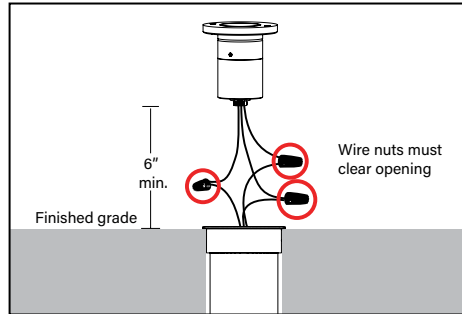
HUME

UPLIGHT - INTEGRAL

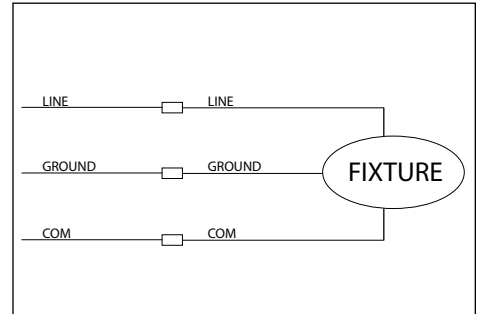
In-Ground Installation Instructions



8. Remove temporary cover and pull out primary 120V, branch circuit wiring.

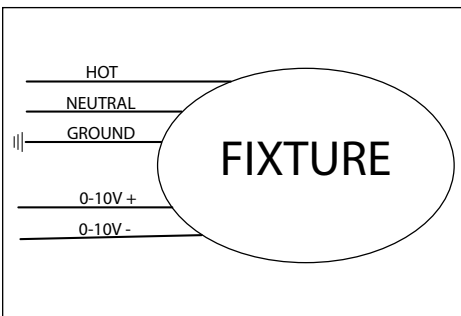


9. Access primary 120V, branch circuit wiring inside housing. Make watertight connections using waterproof wire connectors (not included). Wire connectors must clear opening. Insert fixture, wiring and connections into housing. **See wiring diagram.**

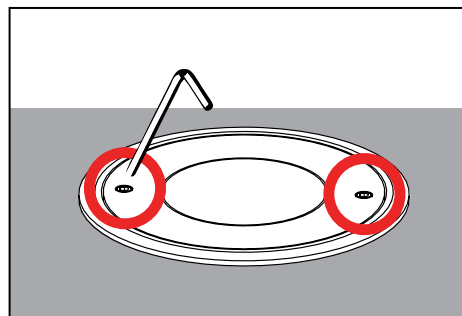


WIRING DIAGRAM

Pull branch circuit wiring. Make watertight connections from branch circuit wiring to fixture leads using waterproof wire connectors (not included) in splice location as per NEC. UL Listed splice location required. Connect incoming green ground wire to ground wire from fixture. **See wiring diagram.**



WIRING DIAGRAM (0-10)



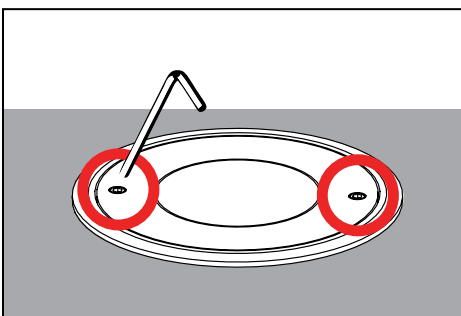
10. Mount faceplate to collar using two (2) #8-32 flat head screws (provided) with a 9/64" allen wrench.

⚠ All line voltage connections must be made in compliance with the National Electrical Code. Failure to do so will void warranty.

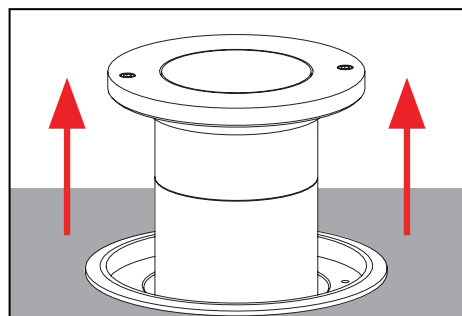


This product is available with field replaceable components. Exclusive interchangeable OPTIKITS and modular LED components with quick disconnects simplifies upgrades and maintenance when necessary.

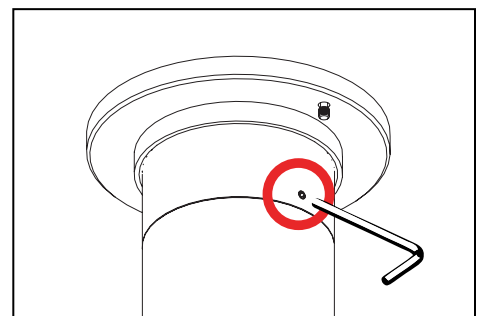
Fixture Relamping



1. Remove faceplate from collar using two (2) #8-32 faceplate screws with a 9/64" allen wrench.



2. Remove fixture from collar.



3. Loosen three (3) #8-32 set screws with a 5/64" allen wrench to remove cap from fixture body.

**IMPORTANT SAFETY INFORMATION LISTED ON REVERSE
READ, FOLLOW, AND SAVE ALL SAFETY AND INSTALLATION INSTRUCTIONS**

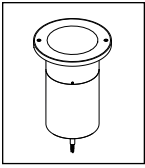


B-K LIGHTING

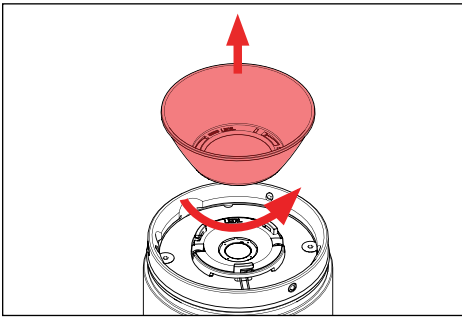
40429 Brickyard Drive • Madera, CA 93636 • USA
559.438.5800 • FAX 559.438.5900
www.bklighting.com • info@bklighting.com

RELEASE DATE
05/15/2023

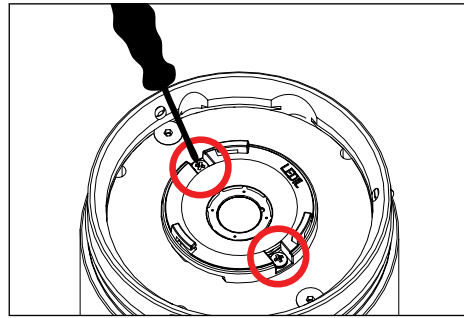
REFERENCE NUMBER
INS-1873-00



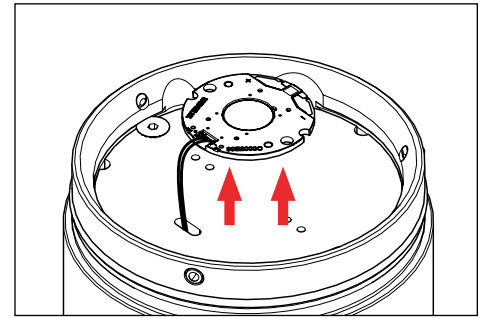
Standard Installation



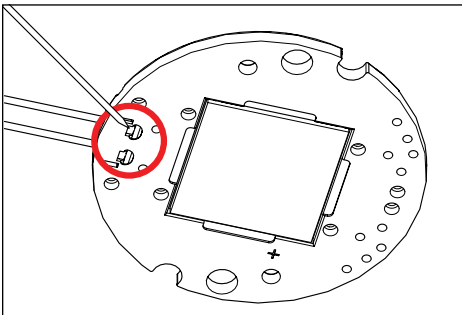
4. Remove optic by twisting to unlock optic from optic holder tabs, and lift up.



5. Unscrew two (2) #4-40 phillips fasteners on optic holder using phillips screwdriver. Grasp optic holder and gently pull upward to remove.

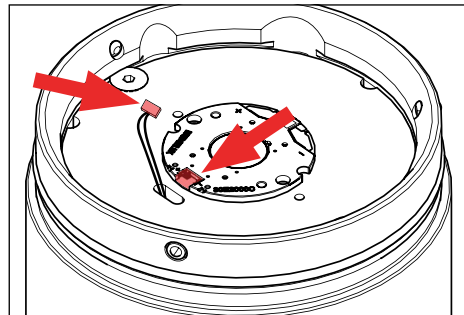


6. Carefully remove LED module from heatsink.
⚠ Do not pull on connector or wiring. Handle with care.



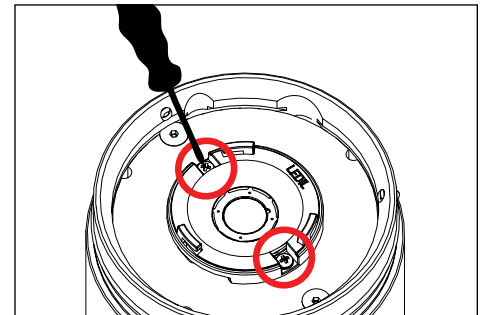
7. Use small pick tool to push connector off LED board through two small slots behind connector. Once loose, lift connector upwards and off board.

⚠ Fragile! Do not pull on connector or wiring. Handle with care.

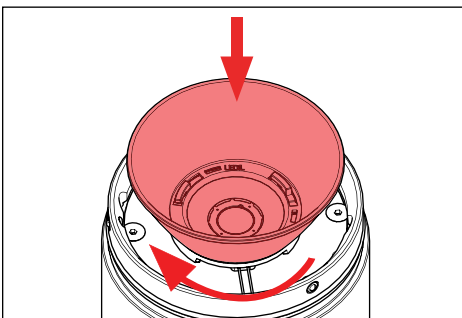


8. Spread thin, even layer of thermal paste on back of new LED module. Place new LED module onto heatsink, lining up module with holes for screws. Press connector straight downwards into slot on module to snap into place.

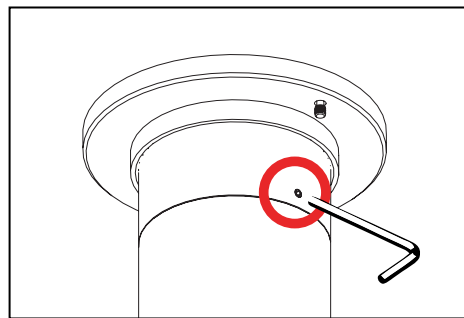
⚠ Connector will only fit in one direction.



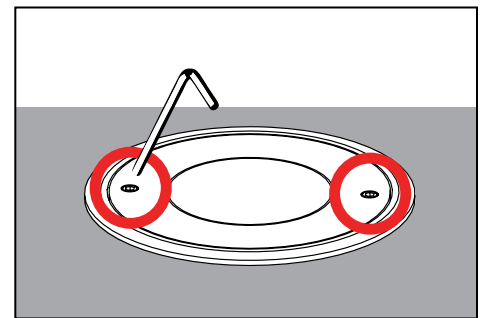
9. Tighten two (2) #4-40 screws using phillips screwdriver to secure optic holder over LED module.



10. Reverse install optic.



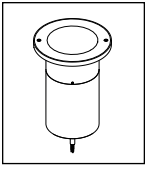
11. Tighten three (3) #8-32 set screws with a 5/64" allen wrench to replace cap on fixture body.



12. Replace faceplate, then replace fixture in mounting collar. Mount faceplate to collar using two (2) #8-32 screws with a 9/64" allen wrench. Do not overtighten.

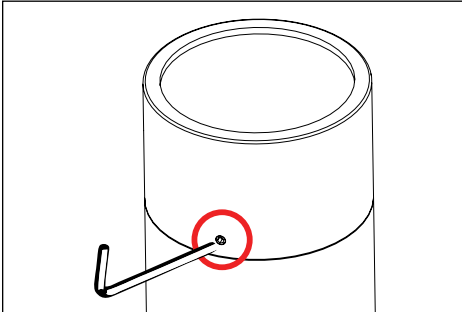
**IMPORTANT SAFETY INFORMATION LISTED ON REVERSE
READ, FOLLOW, AND SAVE ALL SAFETY AND INSTALLATION INSTRUCTIONS**



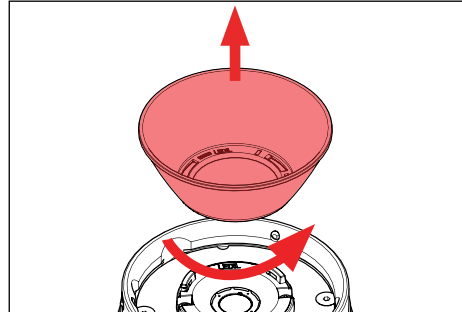


Standard Installation

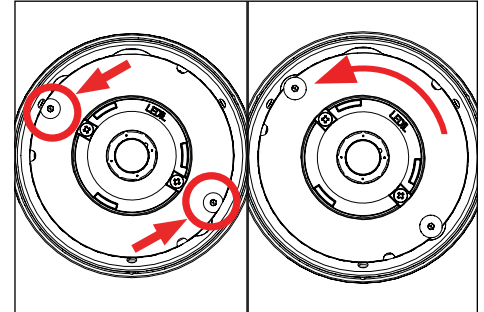
Integral Driver Replacement



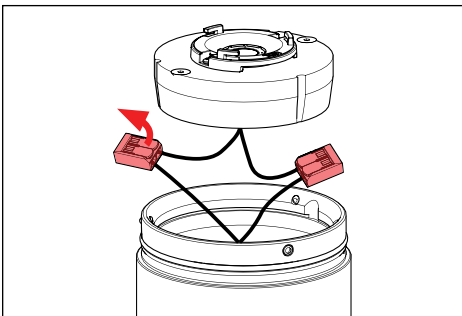
1. Loosen three (3) #8-32 set screws on the cap by using a 5/64" allen wrench. Do not remove set screws, firmly pull on the cap to remove.



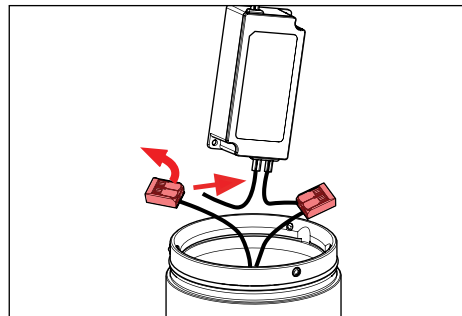
2. Twist and pull away optic.



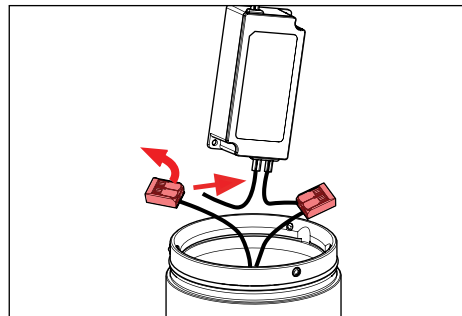
3. Disengage the heatsink by tightening the two (2) #8-32 flat head screws by using a 3/32" allen wrench. Rotate the heatsink to align the screws with slots to remove.



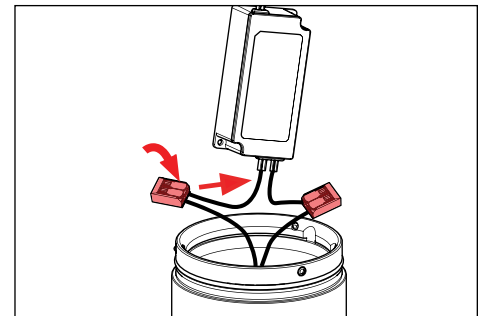
4. Lift lever on the wago connector to remove LED leads.



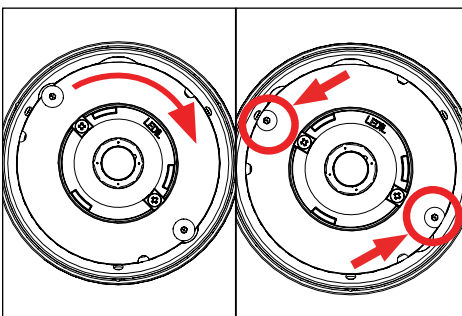
5. Separate heatsink from driver assembly via quick disconnect.



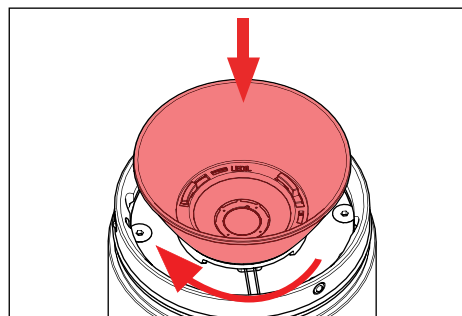
6. Remove driver from fixture via quick disconnect. Replace with the new driver and reinstall into fixture.



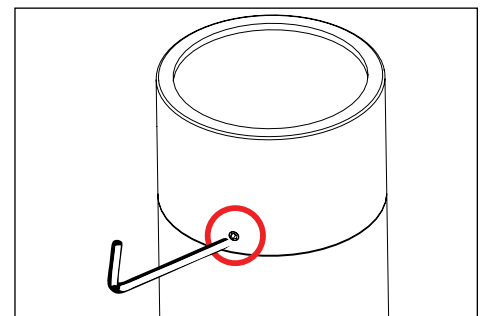
7. Reconnect heatsink assembly to driver assembly via quick disconnect. Quick disconnect tucks into space underneath heatsink.



8. Align the flat head screws with slots in the fixture and reinstall the heatsink back on. Rotate the heatsink into place and loosen the two (2) #8-32 flat head screws using a 3/32" allen wrench to engage heatsink.



9. Twist to reinstall optic onto optic holder.



10. Install the cap on by tightening three (3) #8-32 set screws by using a 5/64" allen wrench. **Do not over tighten. Cap should be able to rotate without force.**

**IMPORTANT SAFETY INFORMATION LISTED ON REVERSE
READ, FOLLOW, AND SAVE ALL SAFETY AND INSTALLATION INSTRUCTIONS**

