

DATE:	PROJECT:	TYPE:
-------	----------	-------

CATALOG NUMBER LOGIC:



*Designed for use with LED transformer.

CATALOG NUMBER LOGIC

Example: DR2 - LED - RD - e57 - SAP - 4 - GM-R

MATERIAL

Aluminum

FACEPLATE

DR2 - DriveStar2

OptiLock®

LED - with Integral Driver*

HOUSING

RD - Requires Remote LED Transformer (Deep Housing)

LED TYPE

e57 - 8W LED/2700K e58 - 8W LED/3000K e59 - 8W LED/4000K

FINISH (See page 2 for full-color swatches)

Standard Finishes (BZP, BZW, BLP, BLW, WHP, WHW, SAP, VER)

Premium Finish (ABP, AMG, AQW, BCM, BGE, BPP, CAP, CMG, CRM, HUG, NBP, OCP, RMG, SDS, SMG, TXF, WCP, WIR)

Also available in RAL Finishes

OPTICAL OPENINGS

1 - Single

2 - 2 @ 180°

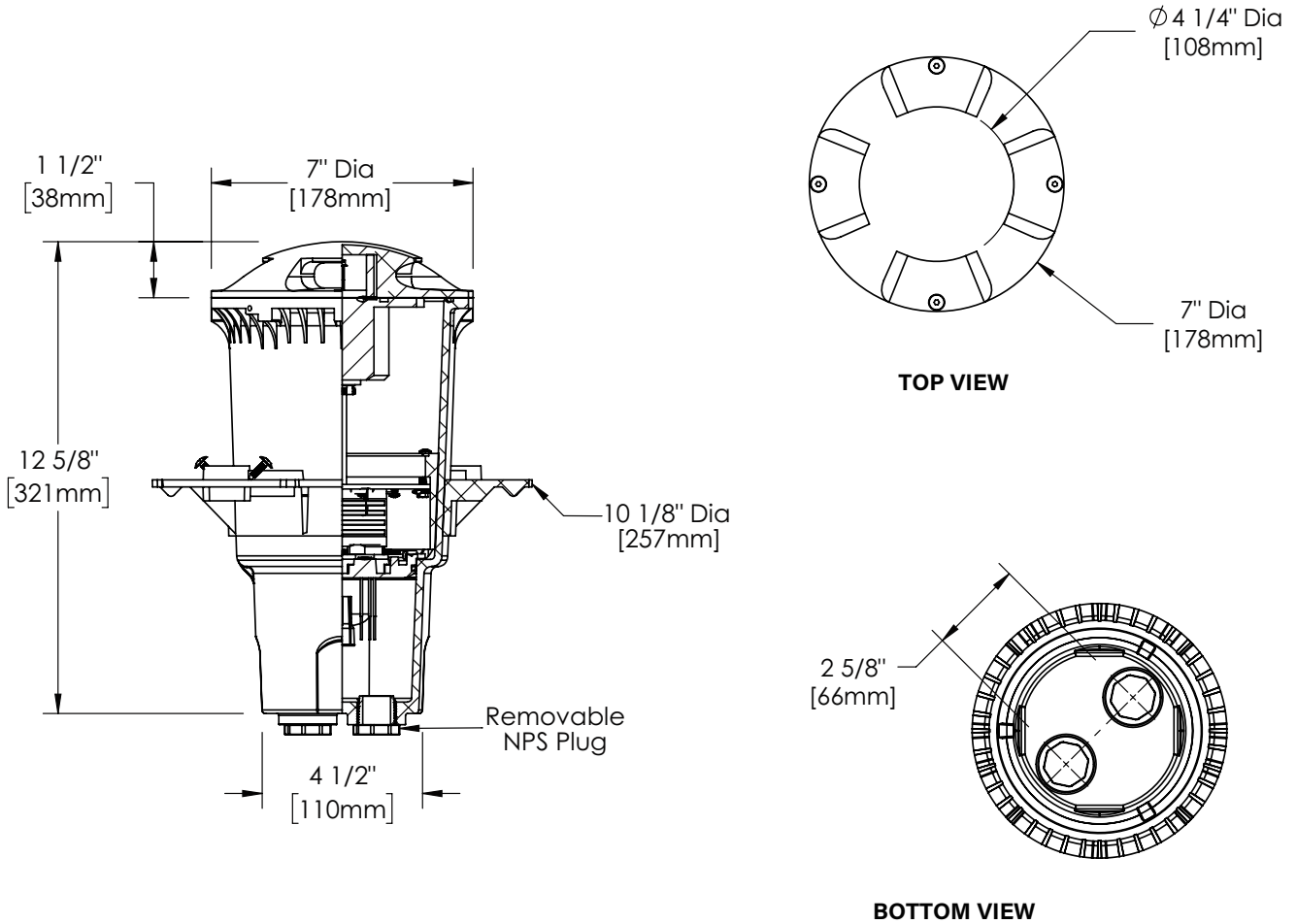
4 - 4 @ 90°

OPTIONS

GM-R - Round Grout Mask

GM-S - Square Grout Mask

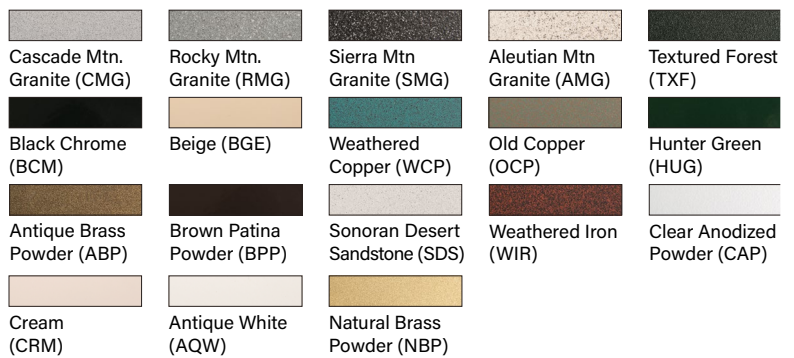
DATE: _____ PROJECT: _____ TYPE: _____



STANDARD FINISHES



PREMIUM FINISHES






[Click Here](#) to view larger, full-color swatches of all available finishes on our website.

DATE:	PROJECT:	TYPE:
-------	----------	-------

ACCESSORIES (Configure separately)

SPECIFICATIONS

ELECTRICAL	WATTAGE	8W LED
	WIRING / CONNECTORS	XLPE coated wire, 18 gauge, 300V, 125°C rated and certified to UL3265 standard. Features OptiLock® and gear tray quick disconnects. Patented HydroLock® with three (3) Water-Tight connectors supplied for incoming connection. Maximum (2) #10 & (1) #18. Minimum (1) #12 & (1) #18.
	REMOTE TRANSFORMER	For use with 12VAC remote magnetic transformers only. B-K Lighting cannot guarantee performance with third party manufacturers' transformers.
PHYSICAL	FIXTURE HOUSING	Corrosion-free, high strength, flame retardant and UV stabilized, injected molded polycarbonate. Two (2) bottom-entry, 3/4" NPT female conduit entries with removable threaded plugs and four (4) side flats for 1/2" or 3/4" conduit adapters.
	PATENTED STABILITY FLANGE	Corrosion-free composite flange projects into installation substrate to reinforce housing stability. Integral REBAR saddles simplify installation into concrete form. Four (4) orthogonal bosses permit use of 1/2" PCV conduit or EMT to simplify vertical position and leveling of housing. Preset self-tapping screws anchor housing at proper elevation.
	LED	Integrated solid state system and modular design with electrical quick disconnects permit field upgrade and maintenance. High power, forward throw source complies with ANSI C78.377 binning requirements and exceeds ENERGY STAR® lumen maintenance requirements. LM-80 certified components. Integral, constant current driver. 12VAC/VDC input. 50/60Hz. Proprietary input control scheme achieves power factor correction and eliminates inrush current. Output, over-voltage, open-circuit, and short circuit protected. Inrush current limited to 250mA (non-dimmed). Conforms to Safety Std. C22.2 No. 250.13-12. Line dimmable, for use with low voltage dimmer with dedicated neutral conductor.
	INSTALLATION	For direct burial in soil or concrete. Consult Drainage Installation Guide for In-Grade Fixtures (DIG-IT) for compliance with proper soil preparation and drainage requirements prior to installation.
	WATER MANAGEMENT	High temperature silicone 'O' Ring at faceplate. HydroLock® technology provides fail-safe water barrier between junction box and interior components. IP68 rated.
	LENS	High heat, Shock-resistant, 1/8" etched Borosilicate glass lens.
	FACEPLATE	Options include solid, 1-1/2" machined 6061T6 aluminum with five (4) black oxide, captive, stainless steel mounting screws.
	FINISH	StarGuard, our 15-stage chromate-free process cleans and conversion coats aluminum components prior to application of Class 'A' TGIC polyester powder coating and is RoHS compliant.
	WARRANTY	5-year limited warranty.
	CERTIFICATION & LISTING	UL Listed. Certified to CAN/CSA/ANSI Standards. IP68 Rated. Made in the USA with sustainable processes.
  		

B-K LIGHTING

MADE IN THE USA

559.438.5800 | INFO@BKLIGHTING.COM | BKLIGHTING.COM

LAMP & DRIVER DATA

DATE: PROJECT: TYPE:

DRIVER DATA	Input Volts	InRush Current	Operation Ambient Temperature
	12VAC/DC 50/60Hz	<250mA. Max. (non-dimmed) Magnetic Low Voltage Dimmer	-10°F-130°F

LM79 DATA

BK No.	CCT (Typ.)	Input Watts (Typ.)	CRI (Typ.)
e57	2700K	8	80
e58	3000K	8	80
e59	4000K	8	80

L70 DATA

Minimum Rated Life (hrs.) 70% of initial lumens (L ₇₀)
50,000
50,000
50,000

B-K LIGHTING

MADE IN THE USA

559.438.5800 | INFO@BKLIGHTING.COM | BKLIGHTING.COM

THIS DOCUMENT CONTAINS PROPRIETARY INFORMATION OF B-K LIGHTING, INC. AND ITS RECEIPT OR POSSESSION DOES NOT CONVEY ANY RIGHTS TO REPRODUCE, DISCLOSE ITS CONTENTS, OR TO MANUFACTURE, USE OR SELL ANYTHING IT MAY DESCRIBE. REPRODUCTION, DISCLOSURE OR USE WITHOUT SPECIFIC WRITTEN AUTHORIZATION OF B-K LIGHTING, INC. IS STRICTLY FORBIDDEN.