

DATE:	PROJECT:	TYPE:
-------	----------	-------

CATALOG NUMBER LOGIC:



\*Designed for use with LED transformer.

**CATALOG NUMBER LOGIC**

Example: DR2 - LED - RS - e57 - SAP - 4 - 5 - GM-R

**MATERIAL**

Aluminum

**FACEPLATE**

DR2 - DriveStar2

**OptiLock®**

LED - with Integral Driver\*

**HOUSING**

RS - Requires Remote Transformer (Shallow Housing)

**LED TYPE**

e57 - 8W LED/2700K e58 - 8W LED/3000K e59 - 8W LED/4000K

**FINISH (See page 2 for full-color swatches)**

Standard Finishes (BZP, BZW, BLP, BLW, WHP, WHW, SAP, VER)

Premium Finish (ABP, AMG, AQW, BCM, BGE, BPP, CAP, CMG, CRM, HUG, NBP, OCP, RMG, SDS, SMG, TXF, WCP, WIR)

Also available in RAL Finishes

**OPTICAL OPENINGS**

1 - Single

2 - 2 @ 180°

4 - 4 @ 90°

**WIRE LENGTH**

5 - 5ft Low Voltage Cable

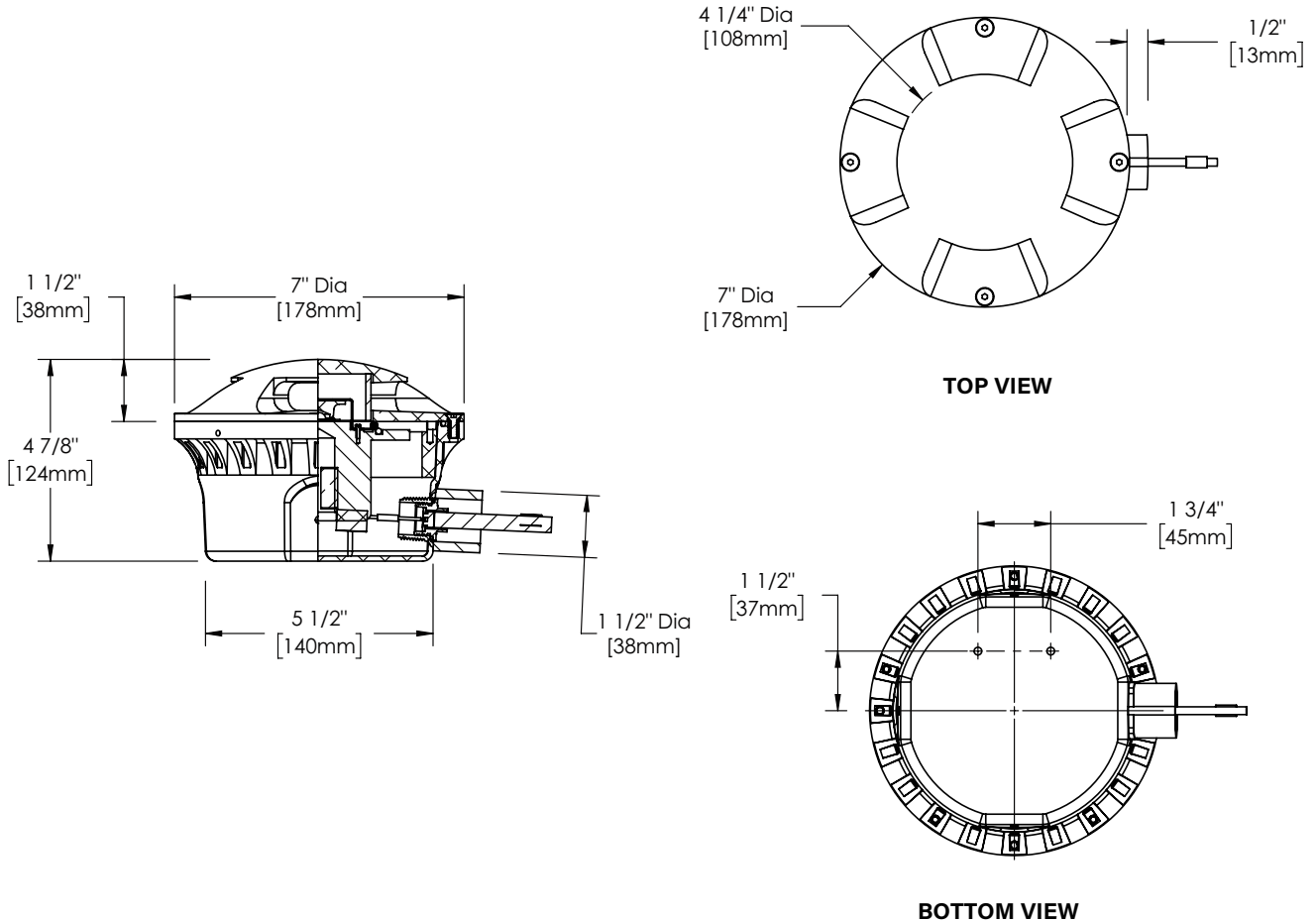
25 - 25ft Low Voltage Cable

**OPTIONS**

GM-R - Round Grout Mask

GM-S - Square Grout Mask

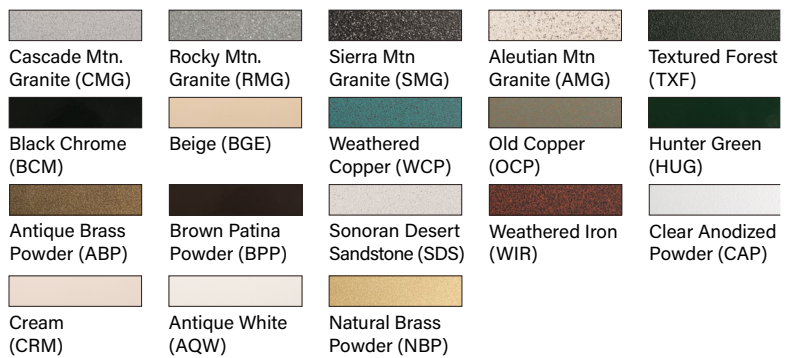
DATE: \_\_\_\_\_ PROJECT: \_\_\_\_\_ TYPE: \_\_\_\_\_



**STANDARD FINISHES**



**PREMIUM FINISHES**






[Click Here](#) to view larger, full-color swatches of all available finishes on our website.

DATE:	PROJECT:	TYPE:
-------	----------	-------

ACCESSORIES (Configure separately)

## SPECIFICATIONS

ELECTRICAL	WATTAGE	8W LED
	WIRING / CONNECTORS	Anti-wicking potter connector with 12/2 PVC, wire. 150V 60°C rated and certified to UL 1838. Available in 5' or 25' lengths. 3/4" conduit connector for use with dry conduit system. Features OptiLock® and quick disconnects. Maximum (2) #10 & (1) #18. Minimum (1) #12 & (1) #18.
	REMOTE TRANSFORMER	For use with 12VAC remote magnetic transformers only. B-K Lighting cannot guarantee performance with third party manufacturers' transformers.
PHYSICAL	FIXTURE HOUSING	Corrosion-free composite, made from high strength, thermo-formed, sheet molded polyester compound. Glass reinforced, flame retardant and UV stabilized. Factory installed and pre-wired fully potted anti-wicking connector with 3/4" PVC Conduit Fitting. Two (2) wire low voltage cable with 5' or 25' options extend from fixture housing to facilitate external wire splice.
	LED	Integrated solid state system and modular design with electrical quick disconnects permit field upgrade and maintenance. High power, forward throw source complies with ANSI C78.377 binning requirements and exceeds ENERGY STAR® lumen maintenance requirements. LM-80 certified components. Integral, constant current driver. 12VAC/VDC input. 50/60Hz. Proprietary input control scheme achieves power factor correction and eliminates inrush current. Output, over-voltage, open-circuit, and short circuit protected. Inrush current limited to 250mA (non-dimmed). Conforms to Safety Std. C22.2 No. 250.13-12. Line dimmable, for use with low voltage dimmer (min. 25% load required) with dedicated neutral conductor.
	INSTALLATION	For direct burial in soil or concrete. Consult Drainage Installation Guide for In-Grade Fixtures (DIG-IT) for compliance with proper soil preparation and drainage requirements prior to installation.
	LENS	High heat, Shock-resistant, 1/8" etched Borosilicate glass lens.
	FACEPLATE	Options include solid, 1-1/2" machined 6061T6 aluminum with five (4) black oxide, captive, stainless steel mounting screws. Suitable for walk-over and drive-over applications up to 35,000 lbs.
	FINISH	StarGuard, our 15-stage chromate-free process cleans and conversion coats aluminum components prior to application of Class 'A' TGIC polyester powder coating and is RoHS compliant.
	WARRANTY	5-year limited warranty.
	CERTIFICATION & LISTING	UL Listed. Certified to CAN/CSA/ANSI Standards. IP68 Rated. Made in the USA with sustainable processes.
  		

**B-K LIGHTING**

**MADE IN THE USA**

559.438.5800 | [INFO@BKLIGHTING.COM](mailto:INFO@BKLIGHTING.COM) | [BKLIGHTING.COM](http://BKLIGHTING.COM)

# LAMP & DRIVER DATA

DATE: PROJECT: TYPE:

<b>DRIVER DATA</b>	<b>Input Volts</b>	<b>InRush Current</b>	<b>Operation Ambient Temperature</b>
	12VAC/DC 50/60Hz	<250mA. Max. (non-dimmed) Magnetic Low Voltage Dimmer	-10°F-130°F

## LM79 DATA

<b>BK No.</b>	<b>CCT (Typ.)</b>	<b>Input Watts (Typ.)</b>	<b>CRI (Typ.)</b>
e57	2700K	8	80
<b>e58</b>	<b>3000K</b>	<b>8</b>	<b>80</b>
e59	4000K	8	80

## L70 DATA

<b>Minimum Rated Life (hrs.) 70% of initial lumens (L<sub>70</sub>)</b>
50,000
<b>50,000</b>
50,000

**B-K LIGHTING**

**MADE IN THE USA**

559.438.5800 | [INFO@BKLIGHTING.COM](mailto:INFO@BKLIGHTING.COM) | [BKLIGHTING.COM](http://BKLIGHTING.COM)

THIS DOCUMENT CONTAINS PROPRIETARY INFORMATION OF B-K LIGHTING, INC. AND ITS RECEIPT OR POSSESSION DOES NOT CONVEY ANY RIGHTS TO REPRODUCE, DISCLOSE ITS CONTENTS, OR TO MANUFACTURE, USE OR SELL ANYTHING IT MAY DESCRIBE. REPRODUCTION, DISCLOSURE OR USE WITHOUT SPECIFIC WRITTEN AUTHORIZATION OF B-K LIGHTING, INC. IS STRICTLY FORBIDDEN.