

DENALI - POWER CANOPY SYSTEM INTEGRAL DRIVER HOUSING (BLUETOOTH) ORDER FIXTURE SEPARATELY.

DATE:	PROJECT:	TYPE:
-------	----------	-------

CATALOG NUMBER LOGIC:



CATALOG NUMBER LOGIC

Example: PC - 010 - BZW - MT

MATERIAL

Aluminum

SERIES

PC - Power Canopy System (Order fixture separately)

CONTROL

010 - 0-10V Wired Installation (Requires 2 sets of 0-10V controls. Sold separately.)

BT - Bluetooth (For use with 20W LED fixtures. See requirements.)*

FINISH

Standard Finishes (BZP, BZW, BLP, BLW, WHP, WHW, SAP, VER)

Premium Finish (ABP, AMG, AQW, BCM, BGE, BPP, CAP, CMG, CRI, CRM, HUG, MDS, NBP, OCP, RMG, SDS, SMG, TXF, WCP, WIR)

(Also available in RAL Finishes. See submittal SUB-1439-00)

INPUT VOLTAGE

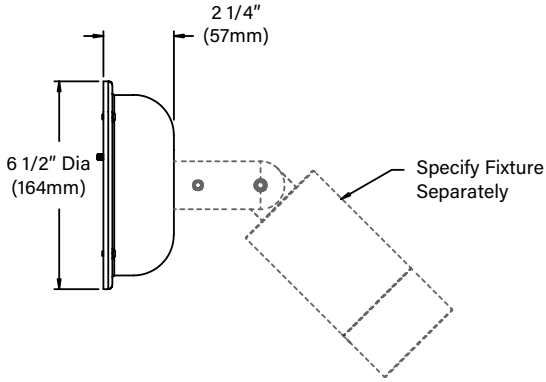
MT - 120-277 VAC

**Bluetooth control system requirements: For use with iPad Touch 5 or later. Mini iPad, iPad3 (2012) or later or iPhone 4S or later. 20W fixture compatible only.*

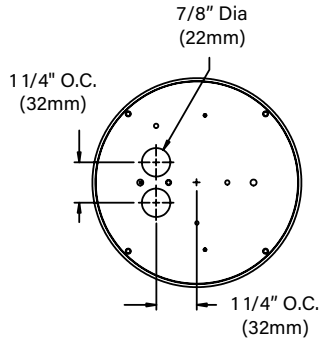
DENALI - POWER CANOPY SYSTEM INTEGRAL DRIVER HOUSING (BLUETOOTH) ORDER FIXTURE SEPARATELY.

DATE: _____ PROJECT: _____ TYPE: _____

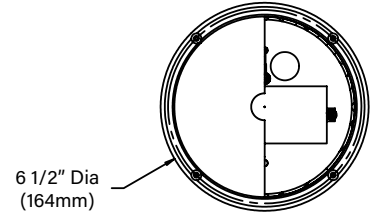
SINGLE FIXTURE



CANOPY MOUNTING PLATE

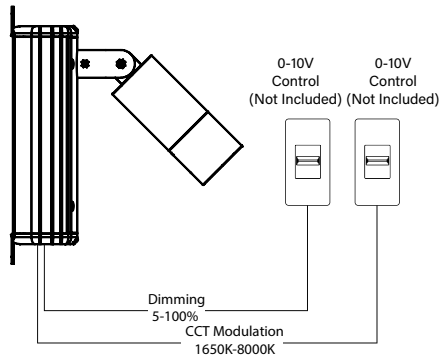


CANOPY



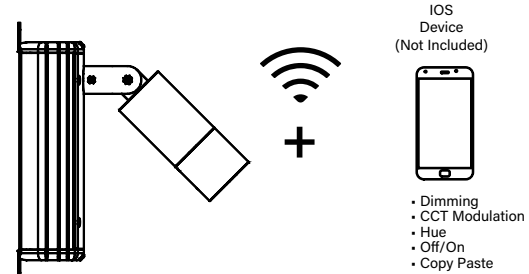
0-10V WIRED CONTROL

For use with: **C22 - 20WLED/1650-8000K + Dimming and CCT only**
(0-10V Wired Installation)



IOS DEVICE CONTROL

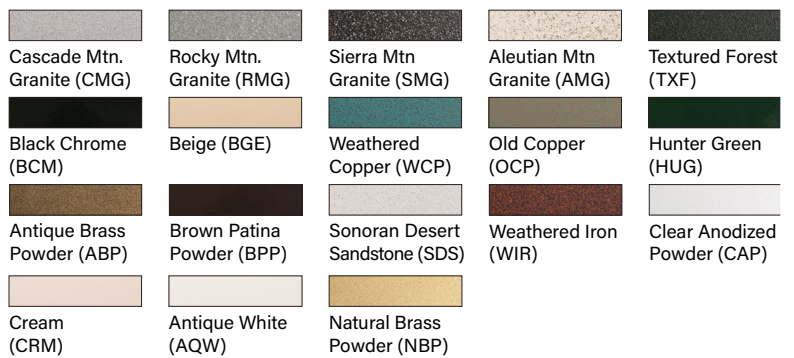
For use with: **C22 - 20WLED/1650-8000K + Saturation and Hue**
(Bluetooth Installation)



STANDARD FINISHES



PREMIUM FINISHES



[Click Here](#) to view larger, full-color swatches of all available finishes on our website.

DATE:	PROJECT:	TYPE:
-------	----------	-------

ACCESSORIES (Configure separately)

SPECIFICATIONS

Electrical	INSPIRATION (BLUETOOTH WIRELESS TECHNOLOGY)	Wireless communication system creates dynamic lumen response at the individual fixture. Indexed (100% to 5% nom.) lumen output. Maintains output at desired level or may be changed as conditions require via exclusive mobile application. App available at the Apple App® Store. CCT modulation between 1650K through 4000K. Full saturation and hue control enables selection of any single color point off the Planckian curve for dynamic full color output. A copy/paste function permits replication of the current selection to other modules within the wireless network. Wireless control up to 5 feet.
	BLUETOOTH CONNECTIVITY REQUIREMENTS	iOS device (by others) with Inspiration Control System app is required for wireless Bluetooth® control. Works with iPhone® (4S or newer); iPad® (3rd generation or newer); iPad mini®; iPad Air®; iPod® Touch (5th generation or newer).
	0-10V WIRED CONTROL	Requires two (2) sets of 0-10V industry wired controls wired direct to the fixture. One provides CCT modulation between 1650K through 8000K in 1% increments. The second enables 5-100% dimming in 1% increments. iOS device may also be utilized to select a single color point off the Planckian curve for dynamic full color output with the remaining functions enabled by the 0-10V controls. iOS device may also be utilized to select a single color point off the Planckian curve for dynamic full color output with the remaining functions enabled by the 0-10V controls.
	WIRING DRIVER	18 AWG, 300V, 150°C rated. One (1) 1.75A, Class A (sound), Class II (isolation) driver. 120VAC (nominal) primary input voltage. 50/60Hz. >0.90 Power Factor, <20% THD (nominal at 120VAC full load). Output over-voltage, over-current, and short circuit protection.
PHYSICAL	FIXTURE MOUNTING	For use with 1 or 2 low voltage or LED floodlights (specified separately) or as remote transformer housing. 360SL mounting system provides biaxial source control with 360° horizontal rotation in addition to vertical adjustment.
	INSTALLATION	Accommodates one or two fixtures (specified separately). Two wire entrance knockouts will accept 1/2" conduit or Romex connectors. Four 3/16" wall plate mounting holes (mounting hardware by others). Optional cord and plug with weighted base allows for use in temporary lighting conditions.
	CANOPY HOUSING	Fully machined from copper-free aluminum, or solid machined brass. Stainless steel hardware. Gasket provides watertight seal.
	HARDWARE	Tamper-resistant, stainless steel hardware.
	FINISH	StarGuard, our 15-stage, chromate-free recess cleans and conversion coats aluminum components prior to application of Class 'A' TGIC polyester powder coating and is RoHS compliant. Finish to match fixture (specified separately).
	WARRANTY CERTIFICATION & LISTING	5-year limited warranty. Certified to CAN/CSA/ANSI standards. UL Listed. RoHS compliant. Made in USA with sustainable processes.
