

DATE: PROJECT: TYPE:

CATALOG NUMBER LOGIC:



*105-300 VAC. 50/60 Hz. non-dimming.

CATALOG NUMBER LOGIC

Example: PTR - 4 - 21 - MM - LED - TR - e71 - SP - BZW - 12 - 11 - B - TRe20 - MT

MATERIAL

Aluminum

SERIES

PTR - Palm Tree Ring

FIXTURE QUANTITY

2 - 2 @ 180° 4 - 4 @ 90°
3 - 3 @ 120° 6 - 6 @ 60°

STRAP SIZES

16 - 16" min. to 22" max. tree diameter
21 - 21" min. to 27" max. tree diameter
26 - 26" min. to 32" max. tree diameter
31 - 31" min. to 38" max. tree diameter

FIXTURE

MM - Mini-Micro

SOURCE

LED - with Integral Non Dimming Driver

HOUSING

TR - Integral Transformer

LED TYPE

e70 - 3W LED/2700K e85 - 3W LED/2700K 90 CRI
e71 - 3W LED/3000K e86 - 3W LED/3000K 90 CRI
e72 - 3W LED/4000K e87 - 3W LED/3500K 80 CRI
e73 - 3W LED/Amber

OPTICS

NSP - Narrow Spot (17°) MFL - Medium Flood (28°)
SP - Spot (21°) ASY - Asymmetrical (17x31°)

FINISH (See page 2 for full-color swatches)

Standard Finishes (BZP, BZW, BLP, BLW, WHP, WHW, SAP, VER)
Premium Finish (ABP, AMG, AQW, BCM, BGE, BPP, CAP, CMG, CRM, HUG, NBP, OCP, RMG, SDS, SMG, TXF, WCP, WIR)
Also available in RAL Finishes

LENS TYPE

12 - Soft Focus 13 - Rectilinear

SHIELDING

11 - Honeycomb Baffle (per fixture)

CAP STYLE

A - 45° (per fixture)
B - 90° (per fixture)
C - Flush

POWER SUPPLY

TRe20 - Electronic Transformer*

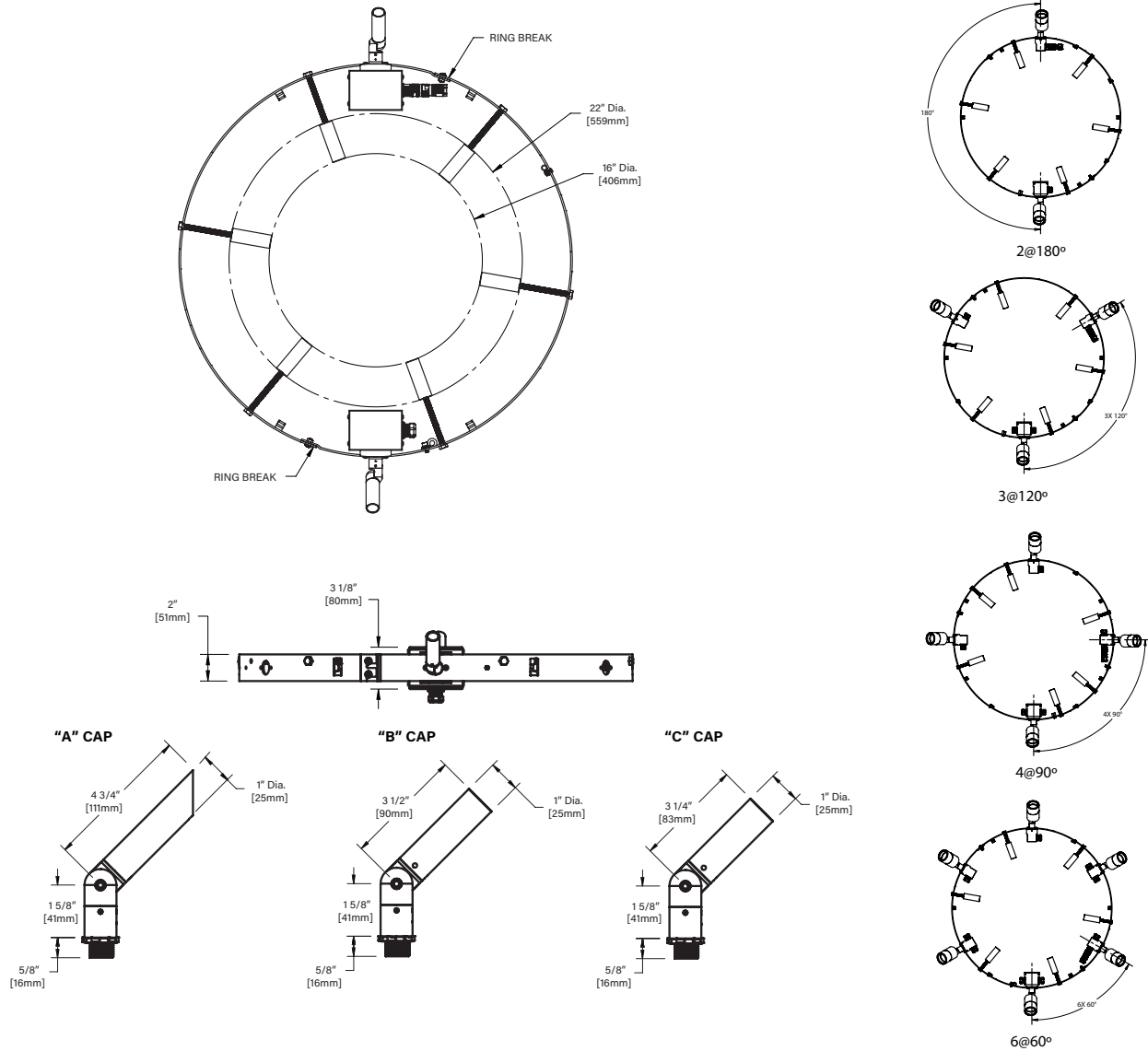
INPUT VOLTAGE

MT - 120-277 VAC Input

DATE:

PROJECT:

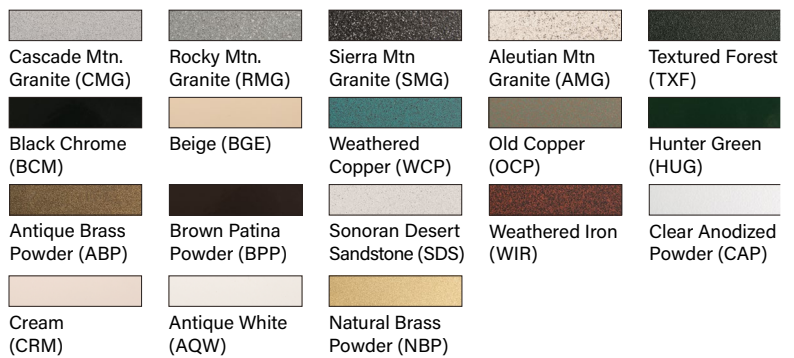
TYPE:



STANDARD FINISHES



PREMIUM FINISHES



[Click Here](#) to view larger, full-color swatches of all available finishes on our website.

DATE:	PROJECT:	TYPE:
-------	----------	-------

ACCESSORIES (Configure separately)

SPECIFICATIONS

ELECTRICAL	WATTAGE	3W LED
	OPERATING VOLTAGE	Fixture factory pre-wired with SEOOW,16/3GA,105C,600V . Nylon Cord Grip for primary wiring from power line. (Primary wiring by Others.) Min. Cable Dia .230" Max. Cable Dia .546"
	REMOTE TRANSFORMER	Integral, electronic transformer. 105-300VAC primary voltage. 50/60Hz. Non Dimming. 20VA maximum load.
PHYSICAL	MATERIALS	Palm Tree Ring - 1/8" thick AISI 304 stainless steel. Fixture - copper-free aluminum (6061-T6).
	BODY	Unibody design is fully machined from solid billet and provides enclosed, water-proof wireway and integral heat sink for maximum component life. Integral knuckle for maximum mechanical strength. High temperature, silicone 'O' Ring provides water-tight seal.
	KNUCKLE	360SL provides biaxial source control with 360° horizontal rotation in addition to vertical adjustment.
	CAP	Fully machined and accommodates one (1) lens or louver media.
	LENS	Shock-resistant, tempered glass lens is factory adhered to fixture cap and provides hermetically sealed optical compartment.
	LED	Integrated solid state system. High power, forward throw source complies with ANSI C78.377 binning requirements and exceeds ENERGY STAR® lumen maintenance requirements. LM-80 certified components. Integral non-dimming driver. Minimum 50,000 hour rated life at 70% of initial lumens (L70). LED technology provides long life, significant energy reduction and exceptional thermal management.
	OPTICS	Interchangeable, color-coded OPTIKIT modules permit field changes to optical distribution.
	HARDWARE	Tamper-resistant, stainless steel hardware. LOCK aiming screw is black oxide treated for additional corrosion resistance.
	FINISH	StarGuard, our 15-stage chromate-free process cleans and conversion coats aluminum components prior to application of Class 'A' TGIC polyester powder coating and is RoHS compliant. Powder coat or metal finish options available for brass material and metal finish option only for stainless steel material.
	WARRANTY	5-year limited warranty.
CERTIFICATION & LISTING	ITL tested to IESNA LM-79. UL Listed. Certified to CAN/CSA/ANSI Standards. RoHS compliant. Suitable for indoor or outdoor use and in wet locations. IP66 Rated. Made in the USA with sustainable processes.	



LAMP & DRIVER DATA (e70, e71, e72, e73)

DATE:

PROJECT:

TYPE:

DRIVER DATA	Input Volts	InRush Current	Operating Current	Operation Ambient Temperature
	12VAC/DC 50/60Hz	<250mA (non-dimmed)	500mA	-22°F-194°F (-30°C - 90°C)

LM79 DATA

L70 DATA

OPTICAL DATA

BK No.	CCT (Typ.)	CRI (Typ.)	Input Watts (Typ.)	Minimum Rated Life (hrs.) 70% of initial lumens (L ₇₀)	Angle	CBCP	Delivered Lumens
e70	2700K	80	3	50,000	17°	1347	167
	2700K	80	3	50,000	21°	664	139
	2700K	80	3	50,000	28°	524	149
	2700K	~	3	50,000	17°x31°	613	151
e71	3000K	80	3	50,000	17°	1411	175
	3000K	80	3	50,000	21°	695	146
	3000K	80	3	50,000	28°	548	156
	3000K	~	3	50,000	17°x31°	642	158
e72	4000K	80	3	50,000	17°	1585	197
	4000K	80	3	50,000	21°	781	164
	4000K	80	3	50,000	28°	616	175
	4000K	~	3	50,000	17°x31°	721	178
e73	Amber (590nm)	~	3	50,000	~	~	~

OPTICS

Optic	Angle
NSP - Narrow Spot	17°
SP - Spot	21°
MFL - Medium Flood	28°
ASY - Asymmetrical	17°x31°

B-K LIGHTING

MADE IN THE USA

559.438.5800 | INFO@BKLIGHTING.COM | BKLIGHTING.COM

THIS DOCUMENT CONTAINS PROPRIETARY INFORMATION OF B-K LIGHTING, INC. AND ITS RECEIPT OR POSSESSION DOES NOT CONVEY ANY RIGHTS TO REPRODUCE, DISCLOSE ITS CONTENTS, OR TO MANUFACTURE, USE OR SELL ANYTHING IT MAY DESCRIBE. REPRODUCTION, DISCLOSURE OR USE WITHOUT SPECIFIC WRITTEN AUTHORIZATION OF B-K LIGHTING, INC. IS STRICTLY FORBIDDEN.