

DATE: PROJECT: TYPE:

CATALOG NUMBER LOGIC:



*Accommodates up to 2 lens/shielding media.

**120V only.

CATALOG NUMBER LOGIC

Example: B - UL - F - DE - LED - TR - x99 - FL - WHP - 12 - 11 - INC - 120

MATERIAL

(Blank) - Aluminum B - Brass S - Stainless

SERIES

UL - Recessed Uplight

INSTALLATION

F - Flush Mount

FIXTURE

DE - Denali Series

SOURCE

LED - Chip on Board (COB) Technology

HOUSING

TR - Integral Driver

LED TYPE

x98 - 13W/2700K/80CRI	x101 - 13W/2700K/90CRI	✓
x99 - 13W/3000K/80CRI	x102 - 13W/3000K/90CRI	✓
x103 - 13W/3500K/80CRI	x104 - 13W/3500K/90CRI	✓
x100 - 13W/4000K/80CRI	x121 - 13W/4000K/90CRI	✓
x122 - 21W/2700K/80CRI	x126 - 21W/2700K/90CRI	✓
x123 - 21W/3000K/80CRI	x127 - 21W/3000K/90CRI	✓
x124 - 21W/3500K/80CRI	x128 - 21W/3500K/90CRI	✓
x125 - 21W/4000K/80CRI	x129 - 21W/4000K/90CRI	✓

OPTICS

SP - Spot (17°) FL - Flood (45°) WFL - Wide Flood (55°)

FINISH (See page 2 for full-color swatches)

Standard Finishes (BZP, BZW, BLP, BLW, WHP, WHW, SAP, VER)

Premium Finish (ABP, AMG, AQW, BCM, BGE, BPP, CAP, CMG, CRM, HUG, NBP, OCP, RMG, SDS, SMG, TXF, WCP, WIR)

Also available in RAL Finishes

Brass Finishes (MAC, POL, MIT)

Stainless Steel Finishes (MAC, POL)

LENS TYPE*

9 - Clear (Standard)

12 - Soft Focus 13 - Rectilinear

SHIELDING*

11 - Honeycomb Baffle

CONTROL

NON - Non Dimming

ELV - Dimming Driver (For use with Electronic Low Voltage Dimmer)**

INC - Dimming Driver (For use with Incandescent Dimmer)**

010 - 0-10V Dimming Driver (Dimming ≤3-100%)

INPUT VOLTAGE

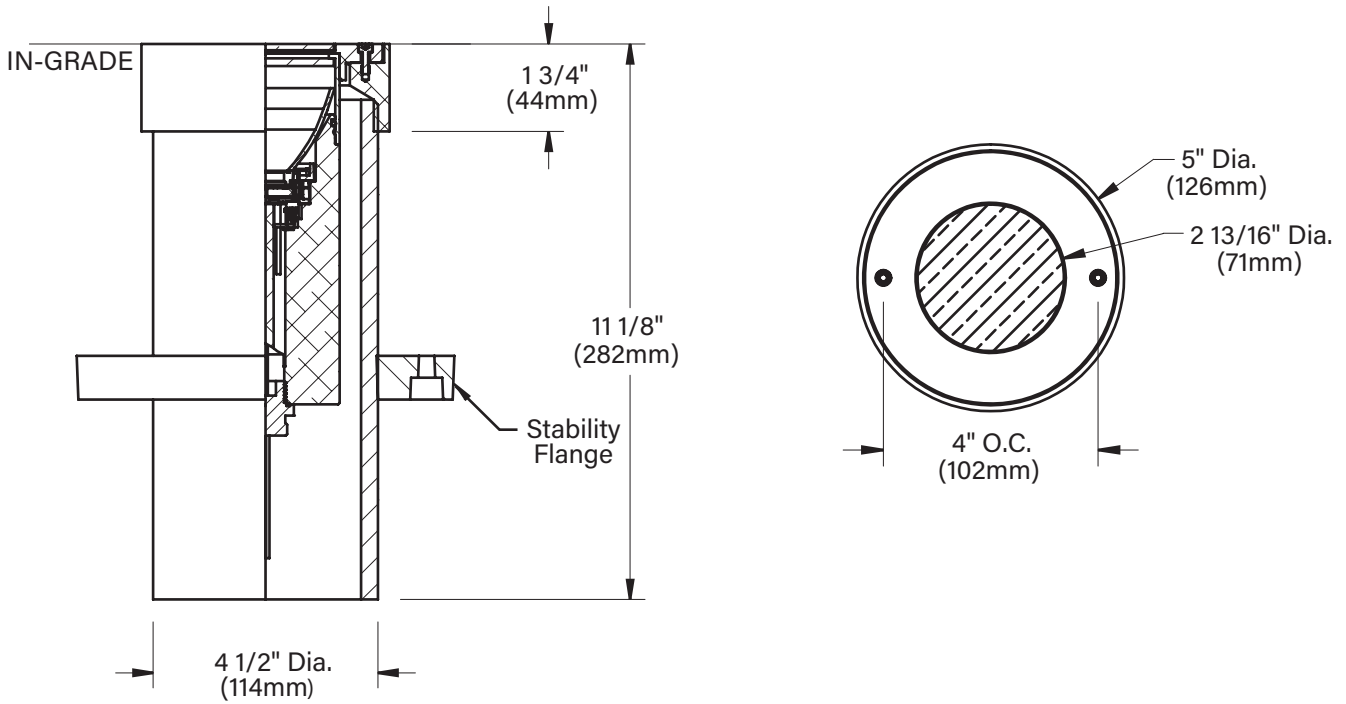
120 - 120 VAC

277 - 277 VAC



TITLE 24, JA8 COMPLIANT

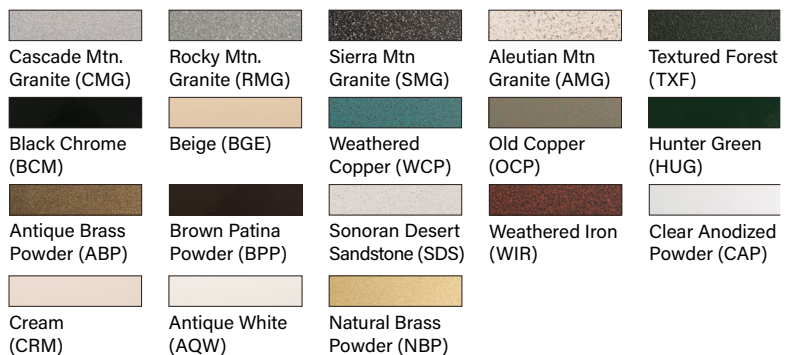
DATE: _____ PROJECT: _____ TYPE: _____



STANDARD FINISHES



PREMIUM FINISHES



[Click Here](#) to view larger, full-color swatches of all available finishes on our website.

DATE:	PROJECT:	TYPE:
-------	----------	-------

ACCESSORIES (Configure separately)

SPECIFICATIONS

ELECTRICAL	WATTAGE	13W or 21W LED
	LED	COB technology and modular design with electrical quick disconnects allow for easy field upgrade and maintenance. LM-80 certified. Title 24, JA8 compliant options available. Minimum 50,000 hour rated life at 70% of initial lumens (L70).
	COLOR MANAGEMENT	COB technology delivers natural white light. Exact color point conformity exceeds ANSI C78.377 standard. Module exceeds 80 CRI (RA>80, R9.16). Color point uniformity 2 SDCM color control for 2700K-4000K CCT.
	WIRING	INC/ELV Wiring: 3 Wire, 16GA, Stranded, TPE, 105°C, 600V SEOOW 0-10 Wiring: 5 Wire, 16GA, Stranded, TPE, 105°C, 300V, SJTOW, Cable Master, SJTOW-165-BLK-GVCC
	DRIVER	Incandescent/ELV Control Option Driver: Dimming driver for use with standard incandescent or electronic low voltage dimmers (10-100% range), 120VAC only. 0-10 Control Option Driver: Dimming driver for use with standard 0-10V dimmers (≤3-100% dim. range), 120-277VAC. With [1] 440mA (13W) / 700mA (21W). 50/60Hz. >0.9 Power Factor, (INC/ELV)10.0A/(0-10) <250mA in-rush current, .20%THD (nominal at 120VAC full load). Output over-voltage, overcurrent, and short circuit protection with auto recovery. Class 2 power supply; FCC47CFR Part 15 Compliant Class B (120VAC)/Class A (277VAC).
PHYSICAL	MATERIALS	Furnished in copper-free aluminum (6061-T6), brass (360) or stainless steel (304).
	BODY	Unibody design with enclosed, water-proof wireway and integral heat sink is fully machined from solid billet. Anti-condensation and corrosion vent equalizes fixture pressure and eliminates potential for damage to internal components.
	HOUSING	Fixture provided with 4-1/2" dia., schedule 80 PVC housing for direct burial into soil or concrete. 7.5" dia., molded stability flange projects into substrate to simplify installation and reinforce housing stability.
	FACEPLATE	Fully machined from solid billet. Countersunk holes provide for flush hardware mounting. Accommodates two (2) lens or louver media.
	LENS	Shock resistant, tempered, 1/8" thick soda lime glass lens is factory adhered to fixture cap and provides hermetically sealed optical compartment.
	INSTALLATION	Flush Mount features integral concrete pour collar. Top edge of collar to be installed flush with finished grade. Collar material and finish to match faceplate. (2) Threaded holes for faceplate installation. Faceplate is suitable for walk-over and drive-over applications to 35,000 lbs. GVW.
	OPTICS	Interchangeable optics permit changes in the field.
	HARDWARE	Tamper-resistant, stainless steel hardware. 360HD hardware is additionally black oxide treated for corrosion resistance.
	FINISH	StarGuard, our 15-stage chromate-free process, cleans and conversion coats aluminum components prior to application of Class 'A' TGIC polyester powder coating and is RoHS compliant.
	WARRANTY CERTIFICATION & LISTING	5-year limited warranty. UL tested to IESNA LM-79. UL Listed. Certified to CAN/CSA/ANSI Standards. RoHS compliant components. Suitable for indoor or outdoor use, in wet locations, and for installation within 4' of the ground. IP66 Rated. Made in the USA with sustainable processes.



LAMP & DRIVER DATA (page 1 of 2)

DATE: _____ PROJECT: _____ TYPE: _____

DRIVER ELECTRICAL DATA

Type	AC Input Range	Frequency Hz	Power Factor At Full Load (Efficiency)	THD	InRush Current	Operating Current	Operation Ambient Temperature	Dimmer Type	Dimmer Range
Integral	120VAC	50/60	> 0.9	20%	10A	440mA (13W)/700mA (21W)	-30° C ~ 70°C	TRIAC/ELV	1-100%
Integral	105-300VAC	50/60	> 0.9	20%	<250mA	440mA (13W)/700mA (21W)	-30° C ~ 90°C	0-10	≤3-100%

LM79 DATA

OPTICAL DATA

BK No.	CCT (Typ.)	CRI (Typ.)	Input Watts (Typ.)	L70 Data	Angle	CBCP	Total Del. Lumens	Muliplier
x98	2700	80	13	50,000	17	6480	829	0.92
	2700	80	13	50,000	45	1773	1041	0.92
x99	2700	80	13	50,000	55	1478	1180	0.92
	3000	80	13	50,000	17	6796	869	0.96
	3000	80	13	50,000	45	1860	1091	0.96
x103	3000	80	13	50,000	55	1550	1237	0.96
	3500	80	13	50,000	17	6685	855	0.95
	3500	80	13	50,000	45	1829	1074	0.95
x100	3500	80	13	50,000	55	1525	1217	0.95
	4000	80	13	50,000	17	7059	903	1.00
	4000	80	13	50,000	45	1931	1134	1.00
x101	4000	80	13	50,000	55	1610	1285	1.00
	2700	90	13	50,000	17	4486	574	0.69
	2700	90	13	50,000	45	1228	720	0.69
x102	2700	90	13	50,000	53	1023	817	0.69
	3000	90	13	50,000	17	4936	631	0.73
	3000	90	13	50,000	45	1350	793	0.73
x104	3000	90	13	50,000	55	1126	899	0.73
	3500	90	13	50,000	17	4775	611	0.71
	3500	90	13	50,000	45	1307	767	0.71
x121	3500	90	13	50,000	55	1089	869	0.71
	4000	90	13	50,000	17	5324	681	0.75
	4000	90	13	50,000	45	1457	855	0.75
x122	4000	90	13	50,000	55	1214	969	0.75
	2700	80	21	50,000	17	9040	1208	0.87
	2700	80	21	50,000	47	2437	1359	0.87
x123	2700	80	21	50,000	55	1876	1416	0.87
	3000	80	21	50,000	17	10030	1341	0.96
	3000	80	21	50,000	45	2704	1508	0.96
x124	3000	80	21	50,000	55	2082	1571	0.96
	3500	80	21	50,000	17	8496	1136	0.81
	3500	80	21	50,000	45	2290	1277	0.81
x125	3500	80	21	50,000	55	1763	1331	0.81
	4000	80	21	50,000	17	10431	1394	1.00
	4000	80	21	50,000	45	2812	1568	1.00
	4000	80	21	50,000	55	2165	1634	1.00

B-K LIGHTING

MADE IN THE USA

559.438.5800 | INFO@BKLIGHTING.COM | BKLIGHTING.COM

THIS DOCUMENT CONTAINS PROPRIETARY INFORMATION OF B-K LIGHTING, INC. AND ITS RECEIPT OR POSSESSION DOES NOT CONVEY ANY RIGHTS TO REPRODUCE, DISCLOSE ITS CONTENTS, OR TO MANUFACTURE, USE OR SELL ANYTHING IT MAY DESCRIBE. REPRODUCTION, DISCLOSURE OR USE WITHOUT SPECIFIC WRITTEN AUTHORIZATION OF B-K LIGHTING, INC. IS STRICTLY FORBIDDEN.

LAMP & DRIVER DATA (page 2 of 2)

DATE: _____ PROJECT: _____ TYPE: _____

LM79 DATA				OPTICAL DATA				
BK No.	CCT (Typ.)	CRI (Typ.)	Input Watts (Typ.)	L70 Data	Angle	CBCP	Total Del. Lumens	Muliplier
x126	2700	90	21	50,000	17	6120	818	0.68
	2700	90	21	50,000	45	1650	920	0.68
	2700	90	21	50,000	55	1270	959	0.68
x127	3000	90	21	50,000	17	7535	1007	0.75
	3000	90	21	50,000	45	2031	1133	0.75
	3000	90	21	50,000	55	1564	1180	0.75
x128	3500	90	21	50,000	17	5406	723	0.64
	3500	90	21	50,000	45	1457	813	0.64
	3500	90	21	50,000	55	1225	847	0.64
x129	4000	90	21	50,000	17	8148	1089	0.78
	4000	90	21	50,000	45	2196	1225	0.78
	4000	90	21	50,000	55	1691	1277	0.78

OPTICS	
Optic	Angle
Spot w/ 13 Accy	16 x 55
Spot	17°
Flood	45°
Wide Flood	55°