

DATE: PROJECT: TYPE:

CATALOG NUMBER LOGIC:



*For use with x43-x45.

**Not available with Wall Wash Optics.

***120V only

CATALOG NUMBER LOGIC

Example: SM - APII - LED - TR - x43 - BW - BZP - 11 - C - INC - MT

MATERIAL

Aluminum

SERIES

SM - Surface Downlight

FIXTURE

APII - Alpine II

SOURCE

LED - Chip on Board Technology

HOUSING

TR - Integral Driver

LED TYPE

x43 - 34W LED/2700K x46 - 42W LED/2700K

x44 - 34W LED/3000K x47 - 42W LED/3000K

x45 - 34W LED/4000K x48 - 42W LED/4000K

OPTICS

BW - Batwing

WW - Wall Wash*

FINISH (See page 2 for full-color swatches)

Standard Finishes (BZP, BZW, BLP, BLW, WHP, WHW, SAP, VER)

Premium Finish (ABP, AMG, AQW, BCM, BGE, BPP, CAP, CMG, CRM, HUG, NBP, OCP, RMG, SDS, SMG, TXF, WCP, WIR)

Also available in RAL Finishes

SHIELDING

11 - Honeycomb Baffle**

CAP STYLE

C - Flush

E - 90° Less Weephole

CONTROLS

ELV - Dimming Driver (For use with Electronic Low Voltage Dimmer)***

INC - Dimming Driver (For use with Incandescent Dimmer)***

010 - Dimming Driver (For use with 0-10 Dimmer, 1-100% Dimming)

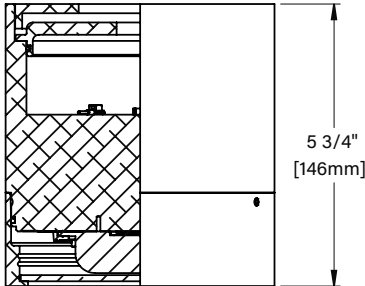
INPUT VOLTAGE

MT - 120-277 VAC Input

DATE: _____ PROJECT: _____ TYPE: _____

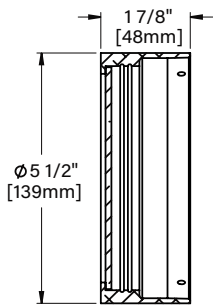
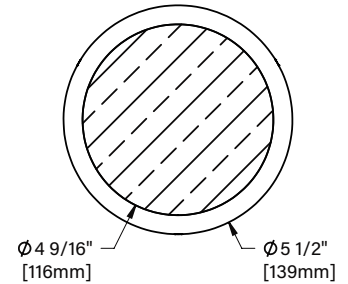
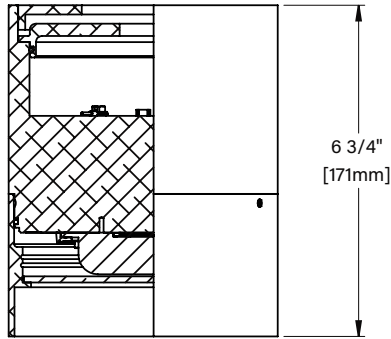
"C" CAP

EPA ≈ .22ft²
WEIGHT ≈ 8.22lbs

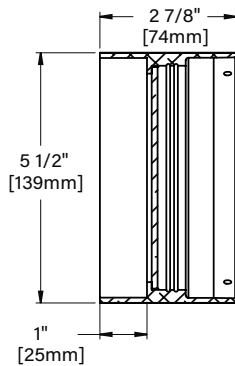


"E" CAP

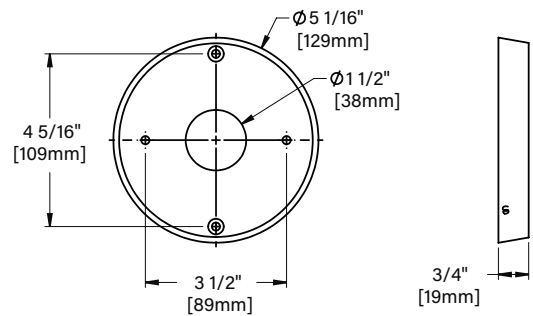
EPA ≈ .26ft²
WEIGHT ≈ 8.41lbs



CAP, C



CAP, E

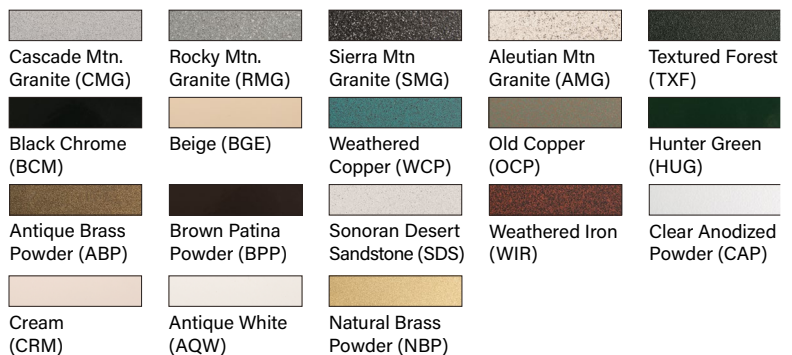


SM CANOPY DETAIL

STANDARD FINISHES



PREMIUM FINISHES






[Click Here](#) to view larger, full-color swatches of all available finishes on our website.

DATE:	PROJECT:	TYPE:
-------	----------	-------

ACCESSORIES (Configure separately)

SPECIFICATIONS

ELECTRICAL	WATTAGE	34W or 42W
	WIRING	XLPE Stranded 18GA wire. Rated 150C, 600V.
	DRIVER	With one (1) 900mA or 1050mA, Class II, constant current integral driver. 50/60Hz. >0.9 Power Factor, 5A inrush current (typical at 120VAC), ≤20%THD (nominal at 120VAC full load). Output over-voltage, over-current, and short circuit protection with auto recovery. Dimming driver for use with 0-10V, Incandescent, Standard TRIAC, or ELV dimmers. 1-100% range. *TRIAC/ELV dimming at 120VAC only
PHYSICAL	MATERIALS	Furnished in copper-free aluminum (6061-T6).
	BODY	Unibody design with enclosed, water-proof wireway and integral heat sink is fully machined from solid billet. ***Anti-condensation and corrosion vent equalizes fixture pressure and eliminates potential for damage to internal components.***
	CAP	Fully machined and accommodates one (1) louver media except when WW option applied.
	LENS	Shock resistant, tempered-glass lens is factory adhered to faceplate and provides hermetically sealed optical compartment.
	LED	Integrated solid state system with COB technology is scalable for field upgrade. Modular design with electrical quick disconnects permit field maintenance. Minimum 50,000 hour rated life at 70% of initial lumens (L70). LED technology provides long life, significant energy reduction and exceptional thermal management
	COLOR MANAGEMENT	COB technology delivers natural white light. Exact color point conformity exceeds ANSI C78.377 standard. Module exceeds 80 CRI (RA>80, R9.16). Color point uniformity 2 SDCM color control for 2700K-4000K CCT
	OPTICS	Interchangeable optics permit changes in the field.
	WATER MANAGEMENT	5 1/16" dia., machined canopy permits mounting to 4" octagonal junction box (by others).
	INSTALLATION	Tamper-resistant, stainless steel hardware.
	HARDWARE	StarGuard, our 15-stage chromate-free process cleans and conversion coats aluminum components prior to application of Class 'A' TGIC polyester powder coating and is RoHS compliant.
WARRANTY	5-year limited warranty.	
CERTIFICATION & LISTING	UL tested to IESNA LM-79. UL Listed. Certified to CAN/CSA/ANSI Standards. RoHS compliant. Suitable for indoor or outdoor use, in wet locations, and for installation within 4' of the ground. IP65 Rated. Made in the USA with sustainable processes.	
  		

B-K LIGHTING

MADE IN THE USA

559.438.5800 | INFO@BKLIGHTING.COM | BKLIGHTING.COM

LAMP & DRIVER DATA

DATE:

PROJECT:

TYPE:

L79 DATA

BK LED #	Delivered Lumens	Optic	CCT	Input Watts	CRI
x43	2745	BW	2700	34	80
x44	2785	BW	3000	34	80
x45	2937	BW	4000	34	80
x46	2955	BW	2700	42	80
x47	3069	BW	3000	42	80
x48	3117	BW	4000	42	80
x43	2890	WW	2700	34	80
x44	3015	WW	3000	34	80
x45	3092	WW	4000	34	80

L70 DATE

Minimum Rated Life (hrs.) 70% of initial lumens (L70)
50,000
50,000
50,000
50,000
50,000
50,000
50,000
50,000
50,000

B-K LIGHTING

MADE IN THE USA

559.438.5800 | INFO@BKLIGHTING.COM | BKLIGHTING.COM

THIS DOCUMENT CONTAINS PROPRIETARY INFORMATION OF B-K LIGHTING, INC. AND ITS RECEIPT OR POSSESSION DOES NOT CONVEY ANY RIGHTS TO REPRODUCE, DISCLOSE ITS CONTENTS, OR TO MANUFACTURE, USE OR SELL ANYTHING IT MAY DESCRIBE. REPRODUCTION, DISCLOSURE OR USE WITHOUT SPECIFIC WRITTEN AUTHORIZATION OF B-K LIGHTING, INC. IS STRICTLY FORBIDDEN.