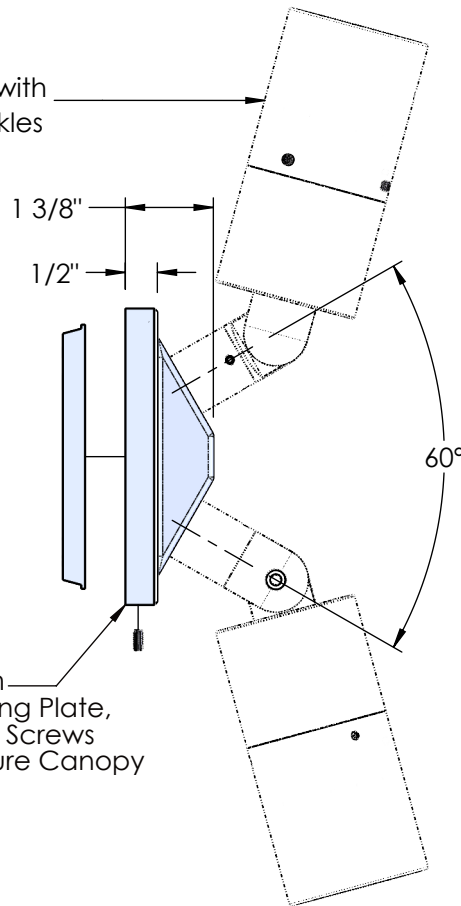
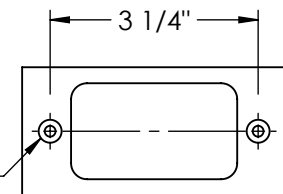
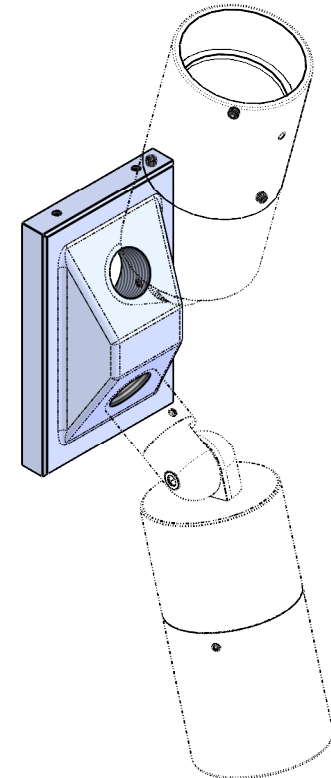


For Use with Fixtures with
360SL & 360HD Knuckles



Machined Aluminum
Canopy and Mounting Plate,
(4) Stainless Steel Set Screws
on Both Ends to Secure Canopy
to Mounting Plate



(2) #8 Countersunk Holes
Mounting Hardware
(By Others)

Mounting Plate Detail

ALL DIMENSIONS INDICATED ON THIS SUBMITTAL ARE NOMINAL. CONTACT TECHNICAL SALES IF YOU REQUIRE MORE STRINGENT DIMENSIONAL SPECIFICATIONS.

THIS DOCUMENT CONTAINS PROPRIETARY INFORMATION OF B-K LIGHTING AND ITS RECEIPT OR POSSESSION DOES NOT CONVEY ANY RIGHTS TO REPRODUCE, DISCLOSE ITS CONTENTS, OR TO MANUFACTURE, USE OR SELL ANYTHING IT MAY DESCRIBE. REPRODUCTION, DISCLOSURE OR USE WITHOUT SPECIFIC WRITTEN AUTHORIZATION OF B-K LIGHTING IS STRICTLY FORBIDDEN.



Revision "B" 01/10/17

CUSTOM DUAL CANOPY FOR SINGLE GANG BOX

01/06/17 **B-K LIGHTING, INC.**

DRAWING NUMBER
CUS-1673-60