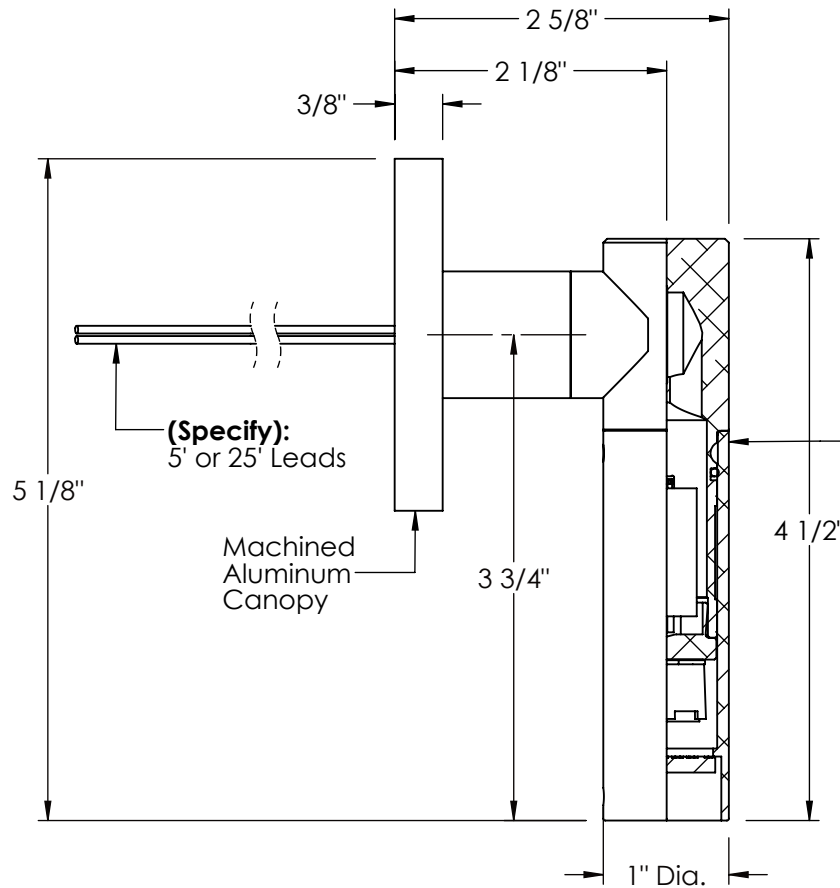


**Specify Any Standard
B-K Lighting Powder
Coat Finish**



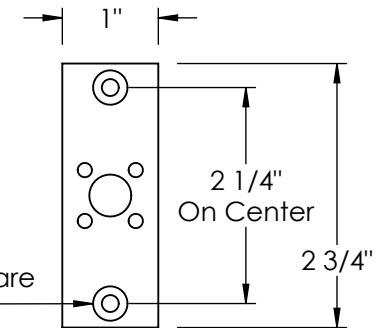
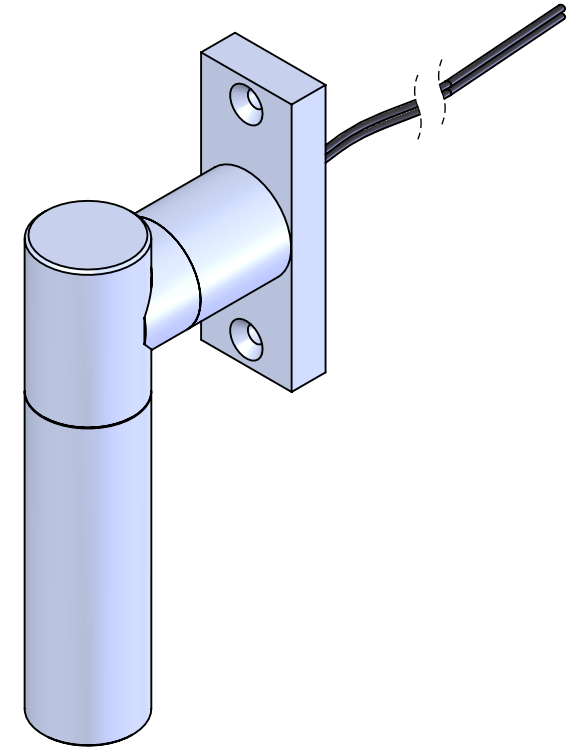
Machined Solid State Mini-Micro
Cylinder Fixture with Integral
Non-Dimming Driver

(Specify CCT):
e70 3W- 2.7K
e71 3W- 3K
e72 3W- 4K
e73 3W- Amber

(Specify Optics):
"NSP," "SP," "MFL" or "ASY"

(Specify Lens/Shielding Types):
#11 Honeycomb Baffle
#12 Soft Focus Lens
#13 Rectilinear Lens

(Specify Cap):
"A", "B" or "C"



(2) Countersunk Holes for
#8 Sized Mounting Hardware
(Hardware By Others)

Canopy Detail

**Provide 12Volt A.C. Power
from Remote Magnetic Transformer**

ALL DIMENSIONS INDICATED ON THIS SUBMITTAL ARE NOMINAL. CONTACT TECHNICAL SALES IF YOU REQUIRE MORE STRINGENT DIMENSIONAL SPECIFICATIONS.

THIS DOCUMENT CONTAINS PROPRIETARY INFORMATION OF B-K LIGHTING AND ITS RECEIPT OR POSSESSION DOES NOT CONVEY ANY RIGHTS TO REPRODUCE, DISCLOSE ITS CONTENTS, OR TO MANUFACTURE, USE OR SELL ANYTHING IT MAY DESCRIBE. REPRODUCTION, DISCLOSURE OR USE WITHOUT SPECIFIC WRITTEN AUTHORIZATION OF B-K LIGHTING IS STRICTLY FORBIDDEN.



Revision "B" 03/02/18

YM-LED FIXTURE ON 1" WIDE CANOPY

05/07/12

B-K LIGHTING, INC.

DRAWING NUMBER
CUS-1940-09