

MICRO NITE STAR (MR11 LAMP)

DATE: PROJECT: TYPE:

CATALOG NUMBER LOGIC:



**The 360SL cost is already included in the price of UPM, UPM dual, and Power Canopy.*

CATALOG NUMBER LOGIC

Example: B - MN - MR - 0 - VER - 9 - 11 - B - 360SL

MATERIAL

(Blank) - Aluminum B - Brass

SERIES

MN - Micro Nite Star

SOURCE

MR - MR11 Lamp

LAMP TYPE

0 - MR11 Halogen Lamp (Sourced by others)

FINISH (See page 2 for full-color swatches)

Standard Finishes (BZP, BZW, BLP, BLW, WHP, WHW, SAP, VER)

Premium Finish (ABP, AMG, AQW, BCM, BGE, BPP, CAP, CMG, CRM, HUG, NBP, OCP, RMG, SDS, SMG, TXF, WCP, WIR)

Also available in RAL Finishes

Brass Finishes (MAC, POL, MIT)

LENS TYPE

9 - Clear (Standard)

10 - Spread 12 - Soft Focus 13 - Rectilinear

SHIELDING

11 - Honeycomb Baffle

CAP STYLE

A - 45°

B - 90°

C - Flush

D - 45° Less Weep Hole (Downward Aiming Only)

E - 90° Less Weep Hole (Downward Aiming Only)

OPTION

360SL - 360SL Knuckle Mounting System*

B-K LIGHTING

MADE IN THE USA

559.438.5800 | INFO@BKLIGHTING.COM | BKLIGHTING.COM

THIS DOCUMENT CONTAINS PROPRIETARY INFORMATION OF B-K LIGHTING, INC. AND ITS RECEIPT OR POSSESSION DOES NOT CONVEY ANY RIGHTS TO REPRODUCE, DISCLOSE ITS CONTENTS, OR TO MANUFACTURE, USE OR SELL ANYTHING IT MAY DESCRIBE. REPRODUCTION, DISCLOSURE OR USE WITHOUT SPECIFIC WRITTEN AUTHORIZATION OF B-K LIGHTING, INC. IS STRICTLY FORBIDDEN.

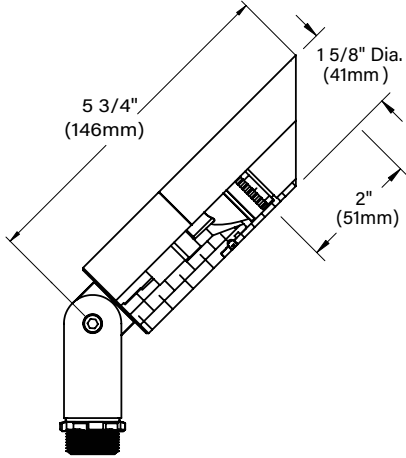
12/06/2022 SKU-321
SUB001192

MICRO NITE STAR (MR11 LAMP)

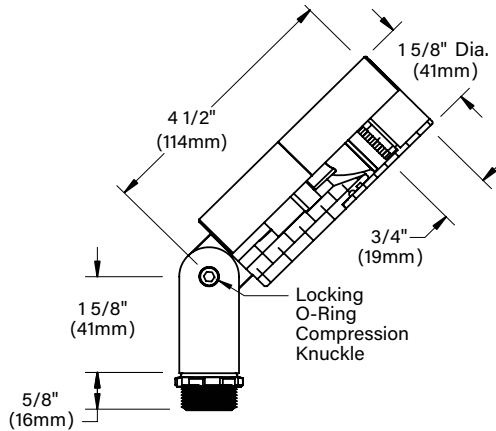
DATE:

PROJECT:

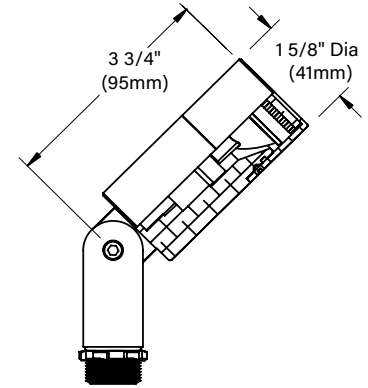
TYPE:



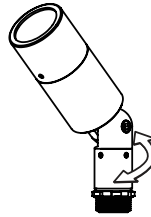
"A/D" CAP



"B/E" CAP



"C" CAP

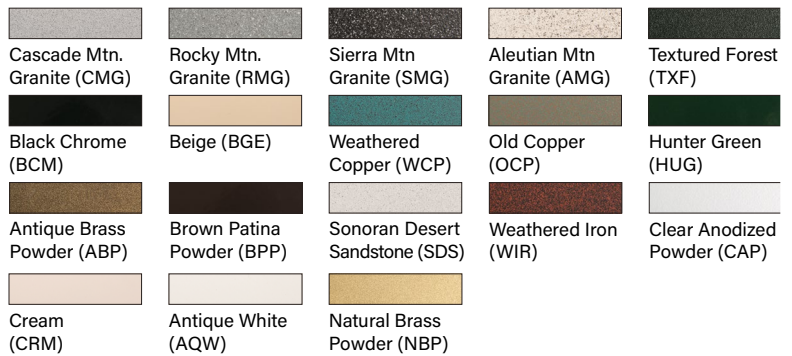


Horizontal Rotation
(Optional 360SL™ Knuckle)

STANDARD FINISHES



PREMIUM FINISHES



[Click Here](#) to view larger, full-color swatches of all available finishes on our website.

B-K LIGHTING

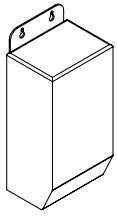
MADE IN THE USA

559.438.5800 | INFO@BKLIGHTING.COM | BKLIGHTING.COM

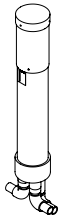
MICRO NITE STAR (MR11 LAMP)

DATE: _____ PROJECT: _____ TYPE: _____

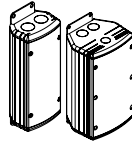
ACCESSORIES (Configure separately)



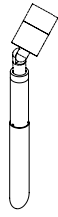
TR Series



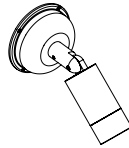
Power Pipe



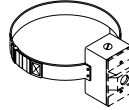
UPMRM



Power Pipe



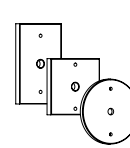
Power Canopy



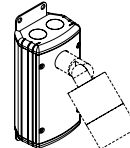
Tree Strap



Stems



Canopies



UPM

SPECIFICATIONS

ELECTRICAL	WATTAGE	20W Maximum
	WIRING	Teflon® coated wire, 18AWG, 600V, 250° C rated and certified to UL1659 standard.
	SOCKET	Specification grade, ceramic body lamp holder. GU5.3 base. Nickel allow contacts and heat resistant, spring loaded stainless steel lamp retaining clips.
	TRANSFORMER	For use with 12 VAC remote transformer.
PHYSICAL	MATERIALS	Furnished in copper-free aluminum (6061-T6) or brass (360).
	BODY	Unibody design is fully machined from solid billet and provides enclosed, water-proof wireway and heat sink to maximize lamp life. Integral knuckle for maximum mechanical strength. High temperature, silicon 'O' Ring provides water-tight seal.
	KNUCKLE	LOCK Knuckle is composed of two components. The first is integral to the body and features an interior, machined taper. The second is machined from solid billet and features a second, reverse angle taper. The resultant mechanical taper-lock allows a full 180° vertical adjustment without the use of aim-limiting, serrated teeth. Design withstands 73 lbs. static load prior to movement to ensure decades of optical alignment. 1/2" pipe thread for mounting. Optional 360SL provides additional biaxial source control with 360° horizontal rotation in addition to vertical adjustment.
	CAP	Fully machined and accommodates two (2) lens or louver media.
	LENS	Shock-resistant, tempered glass lens is factory adhered to fixture cap and provides hermetically sealed optical compartment.
	LAMP	For use with 20W maximum, MR11 lamp. Halogen sourced by others.
	HARDWARE	Tamper-resistant, stainless steel hardware. LOCK aiming screw is black oxide treated for additional corrosion resistance.
	FINISH	StarGuard, our 15-stage chromate-free process cleans and conversion coats aluminum components prior to application of Class 'A' TGIC polyester powder coating and is RoHS compliant. Brass components are available in powder coat or handcrafted metal finish. Stainless steel components are only available in handcrafted metal finish.
WARRANTY	5-year limited warranty.	
CERTIFICATION & LISTING	UL Listed. Certified to CAN/CSA/ANSI standards. RoHS compliant. Suitable for indoor or outdoor use, in wet locations, and for installation within 4' of the ground. Made in the USA with sustainable processes.	

B-K LIGHTING

MADE IN THE USA

559.438.5800 | INFO@BKLIGHTING.COM | BKLIGHTING.COM