

DATE: \_\_\_\_\_ PROJECT: \_\_\_\_\_ TYPE: \_\_\_\_\_

CATALOG NUMBER LOGIC:



**CATALOG NUMBER LOGIC**

Example: MB3 - BZP

**MATERIAL**

Aluminum

**SERIES**

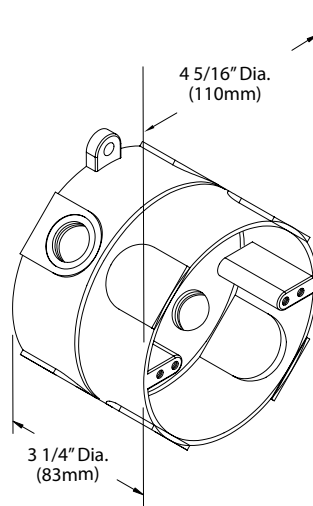
MB3 - MB3 Cast Aluminum Round Box

**FINISH (See below for full-color swatches)**

Standard Finishes (BZP, BZW, BLP, BLW, WHP, WHW, SAP, VER)

Premium Finish (ABP, AMG, AQW, BCM, BGE, BPP, CAP, CMG, CRM, HUG, NBP, OCP, RMG, SDS, SMG, TXF, WCP, WIR)

Also available in RAL Finishes.



**STANDARD FINISHES**



**PREMIUM FINISHES**



[Click Here](#) to view larger, full-color swatches of all available finishes on our website.

DATE:	PROJECT:	TYPE:
-------	----------	-------

ACCESSORIES (Configure separately)

## SPECIFICATIONS

PHYSICAL	<p>MATERIALS</p> <p>INSTALLATION</p> <p>HARDWARE</p> <p>FINISH</p> <p>WARRANTY</p> <p>CERTIFICATION &amp; LISTING</p>	<p>Furnished in cast aluminum.</p> <p>Box covers specified separately.</p> <p>Tamper-resistant, stainless steel mounting hardware. Black oxide treated for additional corrosion resistance.</p> <p>StarGuard, our 15-stage chromate-free process cleans and conversion coats aluminum components prior to application of Class 'A' TGIC polyester powder coating and is RoHS compliant.</p> <p>5-year limited warranty.</p> <p>Suitable for indoor or outdoor use. RoHS Compliant. Made in USA with sustainable processes.</p>
----------	---	--

