

DATE: PROJECT: TYPE:

CATALOG NUMBER LOGIC:



**Please see Adjust-e-Lume photometry to determine desired intensity.*

***Base height limited to 6" max with Brass and Stainless Steel Canopy.*

CATALOG NUMBER LOGIC

Example: B - AR - LED - TR - e64 - NSP - A9 - BLP - 12 - 11 - A - 12 - PP

MATERIAL

(Blank) - Aluminum B - Brass S - Stainless Steel

SERIES

AR - ArtiStar

SOURCE

LED - with Integral Driver

SOURCE

TR - Integral Transformer

LED TYPE

e64 - 7W LED/2700K e79 - 7W LED/2700K 90CRI

e65 - 7W LED/3000K e80 - 7W LED/3000K 90CRI

e66 - 7W LED/4000K e81 - 7W LED/3500K 80CRI

e74 - 7W LED/Amber

OPTICS

NSP - Narrow Spot (13°) MFL - Medium Flood (23°)

SP - Spot (16°) WFL - Wide Flood (31°)

ADJUST-E-LUME OUTPUT INTENSITY**

A9 (Standard), A8, A7, A6, A5, A4, A3, A2, A1

FINISH (See page 2 for full-color swatches)

Standard Finishes (BZP, BZW, BLP, BLW, WHP, WHW, SAP, VER)

Premium Finish (ABP, AMG, AQW, BCM, BGE, BPP, CAP, CMG, CRM, HUG, NBP, OCP, RMG, SDS, SMG, TXF, WCP, WIR)

Also available in RAL Finishes

Brass Finishes (MAC, POL, MIT)

Stainless Steel Finishes (MAC, POL)

LENS TYPE

12 - Soft Focus 13 - Rectilinear

SHIELDING

11 - Honeycomb Baffle

CAP STYLE

A - 45°

B - 90°

C - Flush Lens

D - 45° Less Weephole (Interior use only)

E - 90° Less Weephole (Interior use only)

F - 90° with Flush Lens

BASE HEIGHT

6" (Standard), 12", 18", & 24" with Anchor Base

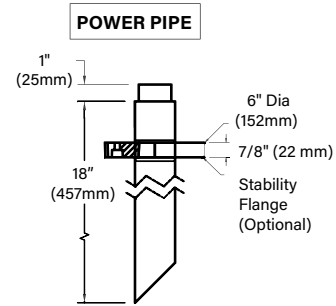
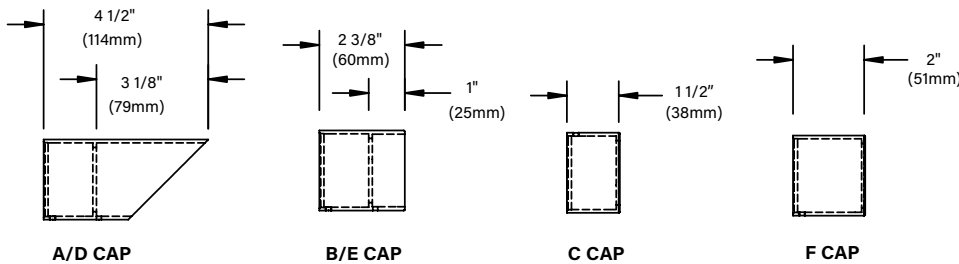
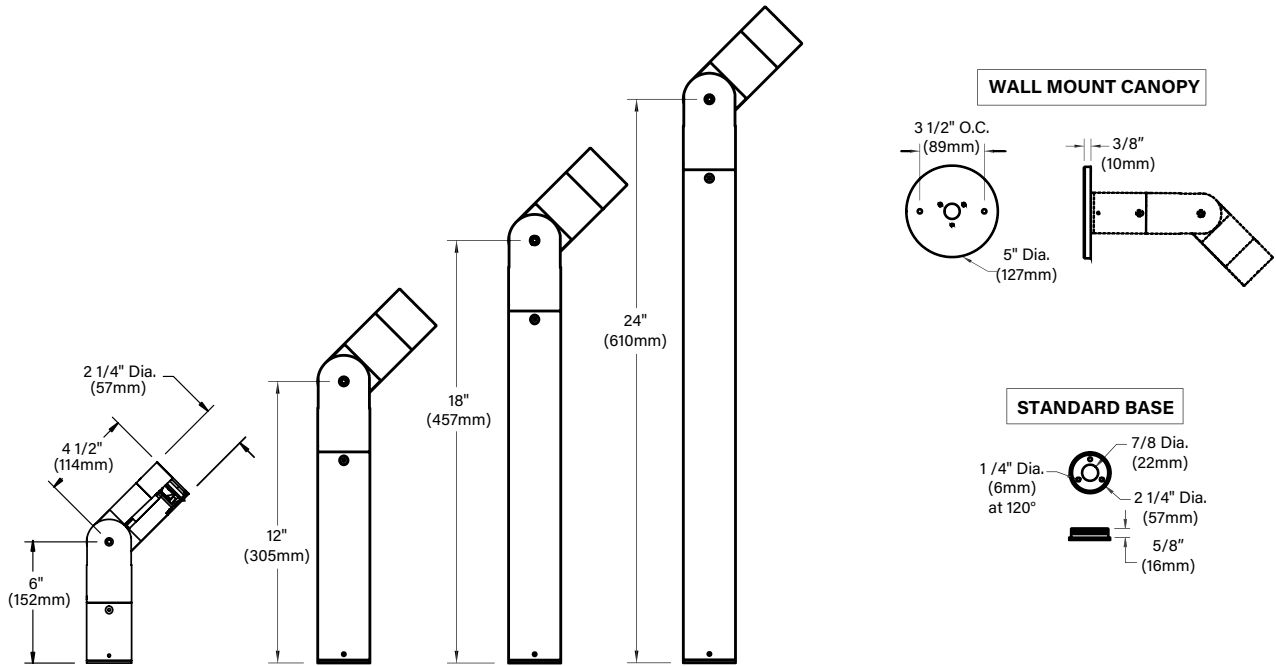
MOUNTING OPTIONS

PP - 18" Power Pipe Stake Mount

SF - Stability Flange (For use with Power Pipe)

WM - Wall or Ceiling Mount with 5" dia. Machined Canopy**

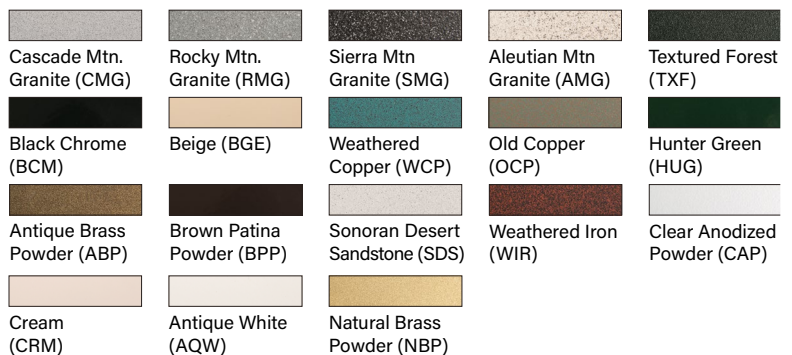
DATE: _____ PROJECT: _____ TYPE: _____



STANDARD FINISHES



PREMIUM FINISHES



[Click Here](#) to view larger, full-color swatches of all available finishes on our website.

DATE:	PROJECT:	TYPE:
-------	----------	-------

ACCESSORIES (Configure separately)

SPECIFICATIONS

ELECTRICAL	WATTAGE	7W LED
	WIRING	XLPE, 18GA,150C,600V, rated and certified to UL3321.
	TRANSFORMER	Integral, electronic transformer. 105-300VAC primary voltage. 50/60Hz. Non Dimming. 20VA maximum load.
PHYSICAL	MATERIALS	Furnished in copper-free aluminum (6061-T6), brass (360) or stainless steel (304).
	BODY	Unibody design with enclosed, water-proof wireway and integral heat sink is fully machined from solid billet.
	KNUCKLE	Aim & Lock knuckle is integral to the body and features an interior taper machined from solid billet and a reverse angle taper allowing full 18° vertical adjustment without the use of aim-limiting serrated teeth. High temperature, silicone 'O' Ring provides water-tight seal and compressive resistance to maintain fixture position. Design withstands 73 lbs. static load prior to movement for optical alignment with a ½" pipe thread for mounting. Optional 360SL provides biaxial source control with 360° horizontal rotation in addition to vertical adjustment.
	CAP	Fully machined and accommodates one (1) lens or louver media.
	LENS	Shock-resistant, tempered glass lens is factory adhered to fixture cap and provides hermetically sealed optical compartment.
	LED	Integrated solid state system and modular design with electrical disconnects allow for easy field upgrade and maintenance. LM-80 certified. Minimum 50,000 hour rated life at 70% of initial lumens (L70). LED technology provides long life, significant energy reduction and exceptional thermal management.
	OPTICS	Interchangeable OPTIKIT modules permit optical field changes. Color-code: Narrow Spot (NSP) = red; Spot (SP) = green; Medium Flood (MFL) = yellow; Wide Flood (WFL) = blue.
	ADJUST-E-LUME	Integral electronics allows dynamic lumen response at the individual fixture. Indexed (100% to 25% nom.) lumen output. Maintains output at desired level or may be changed. Specify factory preset output intensity.
	INSTALLATION	Available for installation in three distinct mounting conditions:
	ANCHOR BASE (STANDARD)	Machined anchor base with 7/8" dia. slip conduit hole and (3) 3/16" dia. anchor bolt holes (hardware by others).
	POWER PIPE (OPTIONAL)	Provides a clean transition from wiring system to fixture. Schedule 80, 18" PVC housing for direct burial into soil or concrete. Machined 2 1/4" dia. cap for fixture mounting with stainless steel hardware. Optional 6" dia., molded stability flange, to simplify installation and projects into substrate to reinforce housing stability.
	WALL MOUNT CANOPY (OPTIONAL)	Optional 5" dia. machined canopy permits mounting to junction box (gasket by others). 6" maximum base height for canopy-mounted brass or stainless steel fixture.
	HARDWARE	Tamper-resistant, stainless steel hardware. Knuckle vertical aiming screw is black oxide treated for additional corrosion resistance.
	FINISH	StarGuard, our 15-stage chromate-free process cleans and conversion coats aluminum components prior to application of Class 'A' TGIC polyester powder coating and is RoHS compliant. Powder coat or metal finish options available for brass material and metal finish option only for stainless steel material.
WARRANTY	5-year limited warranty.	
CERTIFICATION & LISTING	ITL tested to IESNA LM-79. UL Listed. Certified to CAN/CSA/ANSI Standards. RoHS compliant. Suitable for indoor or outdoor use, in wet locations, and for installation within 4' of the ground. IP66 Rated. Made in the USA with sustainable processes.	

LAMP & DRIVER DATA (e64, e65, e66, e74)

DATE: _____ PROJECT: _____ TYPE: _____

DRIVER DATA	Input Volts	InRush Current	Operating	Dimmable	Operation Ambient Temperature
	12VAC/DC 50/60Hz	<250mA (non-dimmed)	700mA	Magnetic Low Voltage Dimmer	-22°F-194°F (-30°C - 90°C)

LM79 DATA				L70 DATA		OPTICAL DATA			
BK No.	CCT (Typ.)	CRI (Typ.)	Input Watts (Typ.)	Minimum Rated Life (hrs.) 70% of initial lumens (L₇₀)		Angle	CBCP	Delivered Lumens	Multiplier
e64	2700K	80	7	50,000		13°	5993	456	0.87
	2700K	80	7	50,000		16°	4546	445	0.87
	2700K	80	7	50,000		23°	1726	397	0.87
	2700K	80	7	50,000		31°	1131	399	0.87
e65	3000K	80	7	50,000		13°	6131	466	0.89
	3000K	80	7	50,000		16°	4650	455	0.89
	3000K	80	7	50,000		23°	1766	406	0.89
	3000K	80	7	50,000		31°	1157	409	0.89
e66	4000K	80	7	50,000		13°	6889	524	
	4000K	80	7	50,000		16°	5225	511	
	4000K	80	7	50,000		23°	1984	456	
	4000K	80	7	50,000		31°	1300	459	
e74	Amber	80	7	50,000		13°	3,927	299	0.57
	Amber	80	7	50,000		16°	2,978	291	0.57
	Amber	80	7	50,000		23°	1,131	260	0.57
	Amber	80	7	50,000		31°	741	262	0.57

OPTICS

Optic	Angle
NSP - Narrow Spot	13°
SP - Spot	16°
MFL - Medium Flood	23°
WFL - Wide Flood	31°

B-K LIGHTING

MADE IN THE USA

559.438.5800 | INFO@BKLIGHTING.COM | BKLIGHTING.COM

THIS DOCUMENT CONTAINS PROPRIETARY INFORMATION OF B-K LIGHTING, INC. AND ITS RECEIPT OR POSSESSION DOES NOT CONVEY ANY RIGHTS TO REPRODUCE, DISCLOSE ITS CONTENTS, OR TO MANUFACTURE, USE OR SELL ANYTHING IT MAY DESCRIBE. REPRODUCTION, DISCLOSURE OR USE WITHOUT SPECIFIC WRITTEN AUTHORIZATION OF B-K LIGHTING, INC. IS STRICTLY FORBIDDEN.