

DATE: _____ PROJECT: _____ TYPE: _____

CATALOG NUMBER LOGIC:



Driver housing required. Configure separately.

**Accommodates up to 2 lens/shielding media.*

CATALOG NUMBER LOGIC

Example: CK - LED - x59 - SP - BZP - 10 - 11 - A

MATERIAL

Aluminum

SERIES

CK - Catskill

SOURCE

LED - Chip on Board Technology

LED TYPE

x58 - 12W/2700K/80CRI	x62 - 20W/3000K/80CRI	x66 - 27W/4000K/80CRI	
x59 - 12W/3000K/80CRI	x63 - 20W/4000K/80CRI	x67 - 27W/2700K/90CRI	✓
x60 - 12W/4000K/80CRI	x64 - 27W/2700K/80CRI	x68 - 27W/3000K/90CRI	✓
x61 - 20W/2700K/80CRI	x65 - 27W/3000K/80CRI	x69 - 27W/3500K/80CRI	

OPTICS

SP - Spot (15°) FL - Flood (35°) WFL - Wide Flood (60°)

FINISH (See page 2 for full-color swatches)

Standard Finishes (BZP, BZW, BLP, BLW, WHP, WHW, SAP, VER)

Premium Finish (ABP, AMG, AQW, BCM, BGE, BPP, CAP, CMG, CRM, HUG, NBP, OCP, RMG, SDS, SMG, TXF, WCP, WIR)

Also available in RAL Finishes

LENS TYPE*

9 - Clear (Standard)
 10 - Spread 12 - Soft Focus 13 - Rectilinear

SHIELDING*

11 - Honeycomb Baffle

CAP STYLE

A - 45°
 B - 90°
 C - Flush
 D - 45° Less Weephole (Interior use only)
 E - 90° Less Weephole (Interior use only)

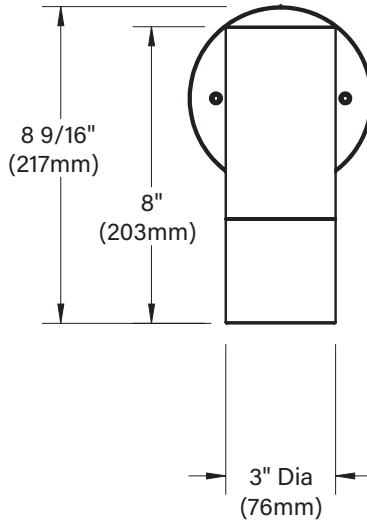


TITLE 24, JA8 COMPLIANT

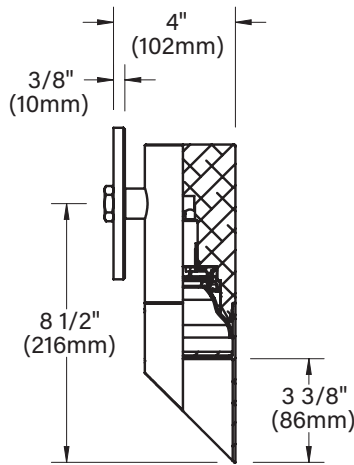
DATE:

PROJECT:

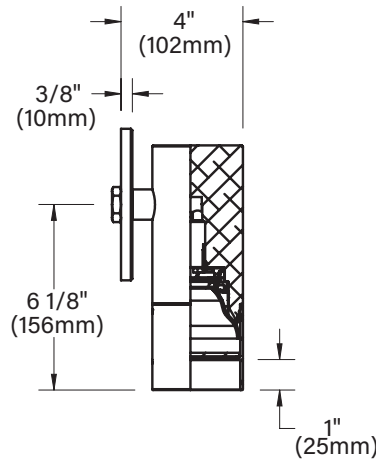
TYPE:



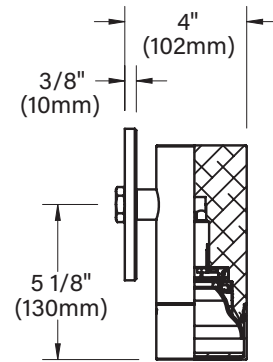
"A/D" CAP



"B/E" CAP



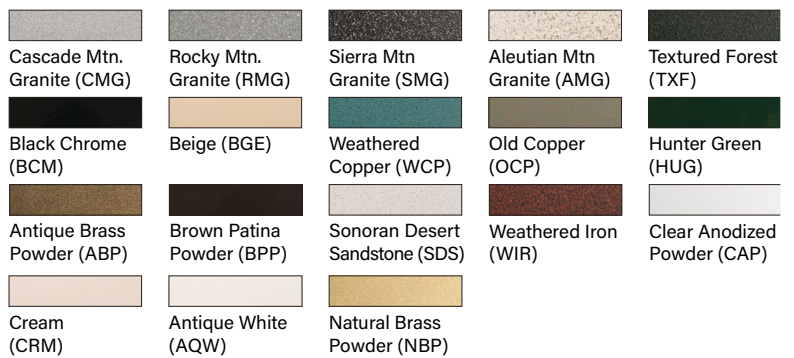
"C" CAP



STANDARD FINISHES



PREMIUM FINISHES

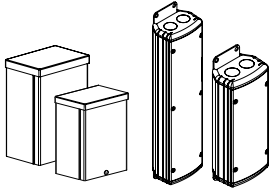


[Click Here](#) to view larger, full-color swatches of all available finishes on our website.

DATE: PROJECT: TYPE:

ACCESSORIES (Configure separately)

Drivers (Configure separately)



DRM & RM PM2DRM & PM2RM

SPECIFICATIONS

ELECTRICAL	<p>WATTAGE WIRING REMOTE DRIVER</p>	<p>12W, 20W or 27W Stranded XLPE, 18GA, 600V, 150°C, wire rated to UL3321. For use with remote LED Driver. See remote driver submittal(s) to determine remote distance, dimming range, and wiring requirements prior to detailing field installation of any remote wiring.</p>
PHYSICAL	<p>MATERIALS BODY CAP LENS LED COLOR MANAGEMENT INSTALLATION OPTICS HARDWARE FINISH WARRANTY CERTIFICATION & LISTING</p>	<p>Furnished in copper-free aluminum (6061-T6). Unibody design with enclosed, water-proof wireway and integral heat sink is fully machined from solid billet. Anti-condensation and corrosion vent equalizes fixture pressure and eliminates potential for damage to internal components. Fully machined and accommodates two (2) lens or louver media. Integrated solid state system is scalable for field upgrade, provides long life, significant energy reduction and exceptional thermal management. Title 24, JA8 compliant. Modular design with electrical quick disconnects permit field maintenance. Minimum 50,000 hour rated life at 70% of initial lumens (L70). Integrated solid state system and modular design with electrical disconnects allow for easy field upgrade and maintenance. High power, forward throw source complies with ANSI C78.377 binning requirements and exceeds ENERGY STAR® lumen maintenance requirements. LM-80 certified components. Title 24, JA8 compliant. Integral, constant current driver. 12VAC/VDC input. 50/60Hz. Proprietary input control scheme achieves power factor correction and eliminates inrush current (limited to <250mA non-dimming). Output, overvoltage, open-circuit, and short circuit protected. Conforms to Safety Std. C22.2 No. 250.13-12. Corrected cold phosphor technology delivers near-perfect natural white light. Long term phosphor maintenance over product life. Exact color point conformity exceeds ANSI C78.377 standard. Provides uniform beam with no color variation over angle. Module exceeds 80 CRI (RA>80, R9>16). 5" dia., machined canopy with stainless steel universal mounting ring permits mounting to 4" octagonal junction box (by others). Suitable for uplight or downlight installation. Interchangeable OPTIKIT modules permit field changes to optical distribution. Tamper-resistant, stainless steel hardware. Canopy mounting screws are black oxide treated for additional corrosion resistance StarGuard, our 15-stage chromate-free process cleans and conversion coats aluminum components prior to application of Class 'A' TGIC polyester powder coating and is RoHS compliant. 5-year limited warranty. UL tested to IESNA LM-79. UL Listed. Certified to CAN/CSA/ANSI Standards. RoHS compliant. Title 24, JA8 compliant. Suitable for indoor or outdoor use, in wet locations, and for installation within 4' of the ground. IP66 Rated. Made in the USA with sustainable processes.</p>



LAMP & DRIVER DAT (page 1 of 2)

DATE:	PROJECT:	TYPE:
-------	----------	-------

DRIVER ELECTRICAL DATA

Type	LED Type	AC Input Range	Frequency Hz	Power Factor At Full Load (Efficiency)	THD	InRush Current	Operating Current	Operation Ambient Temperature	Dimmer Type	Dimmer Range
INC	x58-x63	105-305Vac	50/60	> 0.94	≤5%	< 250mA	700mA	-30° C ~ 50° C	Incandescent	10-100%
INC	x64-x66	105-305Vac	50/60	> 0.94	≤5%	< 250mA	700mA	-30° C ~ 50° C	TRIAC/ELV, (120 Only)	10-100%
010	x64-x66	120-277Vac	50/60	> 0.90	<20%	6A	700mA	-30° C ~ 70° C	0-10, (120 only)	10-100%

LM79 DATA

OPTICAL DATA

BK No.	CCT (Typ.)	CRI (Typ.)	Input Watts (Typ.)	L70 Data	Angle	CBCP	Del. Lumens Per Side	Muliplier
x58	2700	80	12	50,000	15	3,865	721	0.85
x58	2700	80	12	50,000	35	1,493	661	0.85
x58	2700	80	12	50,000	60	627	623	0.85
x59	3000	80	12	50,000	15	4,048	756	0.89
x59	3000	80	12	50,000	35	1,564	692	0.89
x59	3000	80	12	50,000	60	657	653	0.89
x60	4000	80	12	50,000	15	4,561	851	1.00
x60	4000	80	12	50,000	35	1,762	780	1.00
x60	4000	80	12	50,000	60	740	736	1.00
x61	2700	80	20	50,000	15	7,103	1,307	0.91
x61	2700	80	20	50,000	35	2,623	1,125	0.91
x61	2700	80	20	50,000	60	1,049	1,064	0.91
x62	3000	80	20	50,000	15	7,478	1,376	0.96
x62	3000	80	20	50,000	35	2,761	1,184	0.96
x62	3000	80	20	50,000	60	1,104	1,120	0.96
x63	4000	80	20	50,000	15	7,800	1,435	1.00
x63	4000	80	20	50,000	35	2,880	1,235	1.00
x63	4000	80	20	50,000	60	1,152	1,168	1.00
x64	2700	80	27	50,000	15	15,656	1,767	0.92
x64	2700	80	27	50,000	35	4,649	1,586	0.92
x64	2700	80	27	50,000	60	1,515	1,383	0.92
x65	3000	80	27	50,000	15	16,132	1,820	0.95
x65	3000	80	27	50,000	35	4,791	1,634	0.95
x65	3000	80	27	50,000	60	1,561	1,426	0.95
x66	4000	80	27	50,000	15	17,042	1,923	1.00
x66	4000	80	27	50,000	35	5,061	1,726	1.00
x66	4000	80	27	50,000	60	1,649	1,506	1.00
x67	2700	90	27	50,000	15	16,167	1,824	0.95
x67	2700	90	27	50,000	35	4,801	1,637	0.95
x67	2700	90	27	50,000	60	1,564	1,429	0.95
x68	3000	90	27	50,000	15	16,659	1,880	0.98
x68	3000	90	27	50,000	35	4,947	1,687	0.98
x68	3000	90	27	50,000	60	1,612	1,472	0.98

B-K LIGHTING

MADE IN THE USA

559.438.5800 | INFO@BKLIGHTING.COM | BKLIGHTING.COM

THIS DOCUMENT CONTAINS PROPRIETARY INFORMATION OF B-K LIGHTING, INC. AND ITS RECEIPT OR POSSESSION DOES NOT CONVEY ANY RIGHTS TO REPRODUCE, DISCLOSE ITS CONTENTS, OR TO MANUFACTURE, USE OR SELL ANYTHING IT MAY DESCRIBE. REPRODUCTION, DISCLOSURE OR USE WITHOUT SPECIFIC WRITTEN AUTHORIZATION OF B-K LIGHTING, INC. IS STRICTLY FORBIDDEN.

LAMP & DRIVER DAT (page 2 of 2)

DATE:

PROJECT:

TYPE:

OPTICS

Optic	Angle
Spot	15°
Flood	35°
Wide Flood	60°

B-K LIGHTING

MADE IN THE USA

559.438.5800 | INFO@BKLIGHTING.COM | BKLIGHTING.COM

THIS DOCUMENT CONTAINS PROPRIETARY INFORMATION OF B-K LIGHTING, INC. AND ITS RECEIPT OR POSSESSION DOES NOT CONVEY ANY RIGHTS TO REPRODUCE, DISCLOSE ITS CONTENTS, OR TO MANUFACTURE, USE OR SELL ANYTHING IT MAY DESCRIBE. REPRODUCTION, DISCLOSURE OR USE WITHOUT SPECIFIC WRITTEN AUTHORIZATION OF B-K LIGHTING, INC. IS STRICTLY FORBIDDEN.