

Standard Installation



Flammable



Warning



High Voltage



Hot Surface

TOOLS NEEDED:	
	1/8" & 5/64" Allen Wrench
	Waterproof Wire Connectors
	Level
	Phillips Screwdriver
	7/8" Hole Saw
	Torque Wrench

INSTRUCTIONS PERTAINING TO A RISK OF FIRE, OR INJURY TO PERSONS IMPORTANT SAFETY INSTRUCTIONS

Lighted fixture is HOT!

WARNING - To reduce the risk of FIRE OR INJURY TO PERSONS:

Turn off/unplug and allow to cool before replacing lamp/LED. Fixture gets HOT quickly! Contact only switch/plug when turning on. Do not touch hot lens, guard, or enclosure. Keep fixture away from materials that may burn. Do not operate the luminaire fitting with a missing or damaged shield. Do not touch the source at any time. Use a soft cloth or gloves. Oil from skin may cause damage.

SAVE THESE INSTRUCTIONS

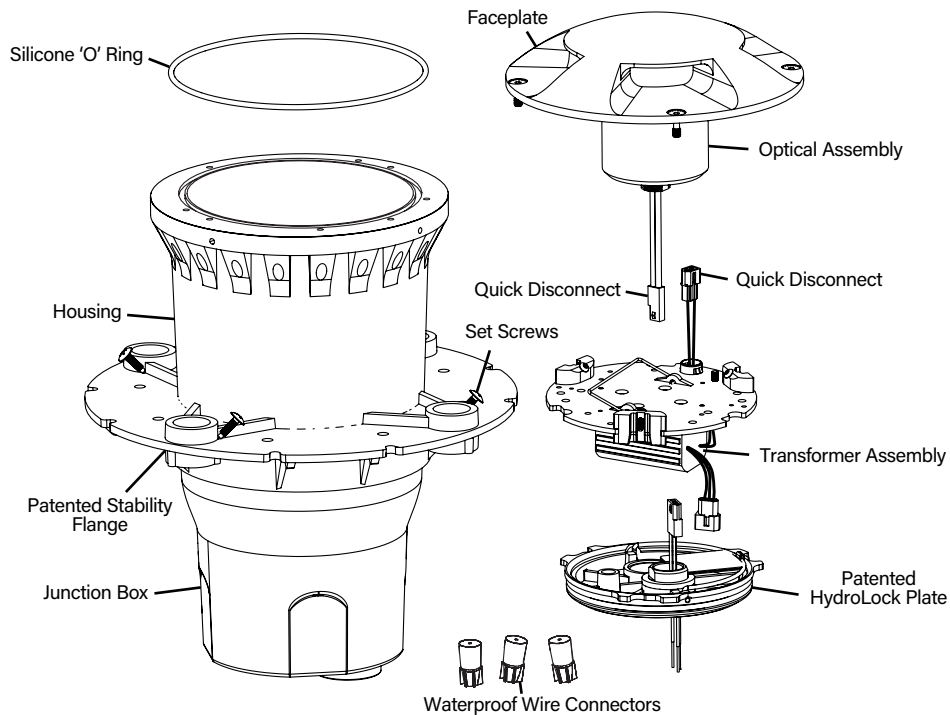
IMPORTANT SAFETY INFORMATION - READ, FOLLOW, AND SAVE ALL SAFETY AND INSTALLATION INSTRUCTIONS

- Product must be installed by a qualified person in a manner consistent with its intended use and in compliance with the National Electrical Code, Canadian Electrical Code, and all Local and Provincial Codes.
- Follow product label information and instructions.
- Qualified Personnel with appropriate personal protective equipment must perform all servicing of this product.
- Before wiring to power supply and during servicing, turn off and lock out power at fuse or circuit breaker before service.
- The use of accessory equipment not recommended by the manufacturer or installed contrary to instructions may cause an unsafe condition. The use of damaged components may cause an unsafe condition and void product warranty.
- Do not block light emanating from product in whole or part, as this may cause an unsafe condition.
- Never operate the fixture with missing or damaged lens. Lens must be cleaned on regular basis.
- Entire fixture may become extremely hot. Do not touch hot lens or fixture body.
- Replace LED assembly only with correct wattage and type of power supply appropriate for LED assembly.
- All gaskets, o-rings and sealing surfaces must be kept clean during installation and service; failure to do this may cause an unsafe condition and void product warranty.

IMPORTANT LISTINGS AND CERTIFICATIONS

- Suitable for wet locations • Suitable for recessed in ground locations

Proper soil preparation is recommended before installation. See the DIG-IT guide at www.bklighting.com/collaterals/install/digit.pdf for more information.



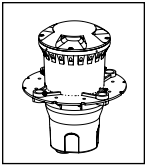
IMPORTANT SAFETY INFORMATION - READ, FOLLOW, AND SAVE THESE INSTALLATION INSTRUCTIONS

B-K LIGHTING

40429 Brickyard Drive • Madera, CA 93636 • USA
559.438.5800 • FAX 559.438.5900
www.bklighting.com • info@bklighting.com

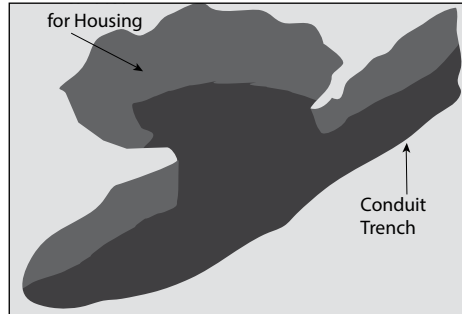
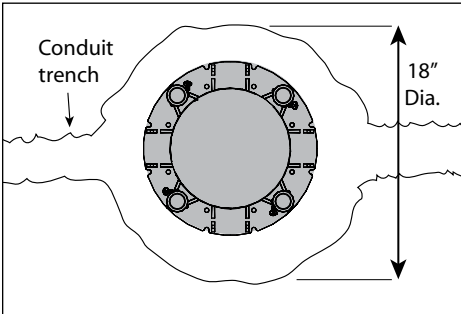
RELEASE DATE
06/10/2023

REFERENCE NUMBER
INS-2178-00



Standard Installation

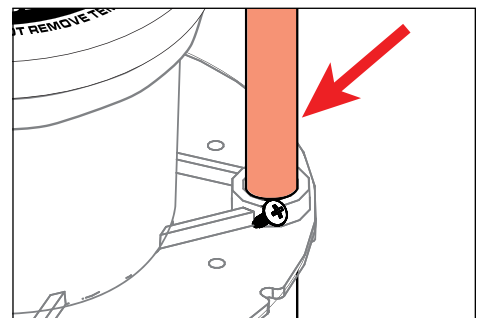
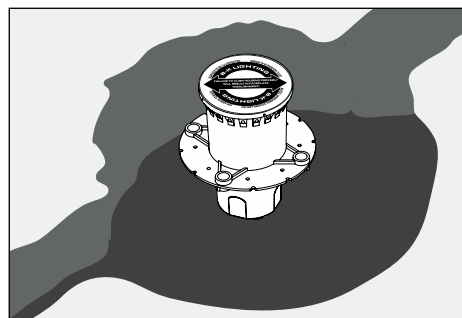
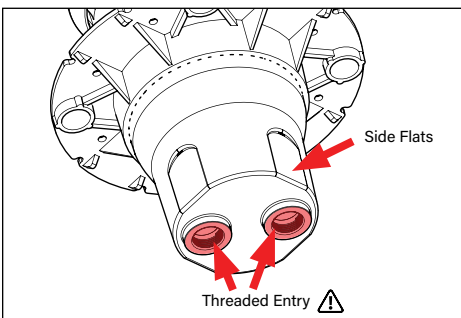
Soil Prep



1. Determine Soil Type by referencing DIG-IT Guide.
2. Dig hole 18" wide and 18" deep.
3. Prep soil according to DIG-IT Guide.

SCAN WITH SMART DEVICE OR CLICK THE BAR CODE FOR ONLINE DIG-IT GUIDE

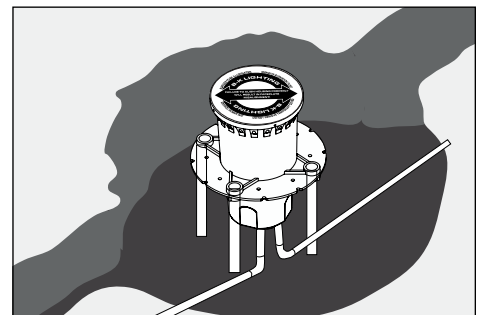
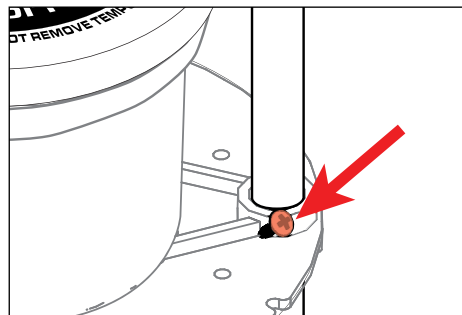
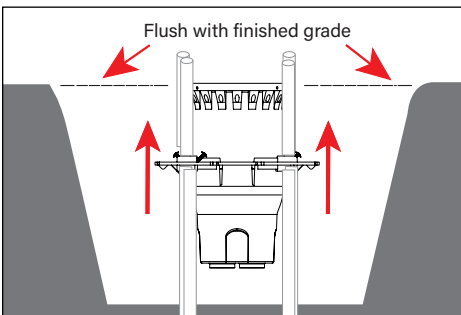
Housing Installation



1. Connect branch conduit connectors (not included) to the junction box using either the threaded conduit entries on the bottom of the junction box or through holes drilled into the sides of the junction box.
2. Place housing in hole. Align junction box in the path of the conduit trench.
3. Insert four (4) pieces of 1/2" PVC/EMT conduit through the stability flange. Hammer into substrate until secure.

⚠️ Recommend 7/8" drill bit for side installation.

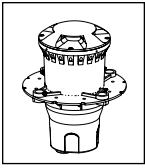
⚠️ Leave sufficient clearance to elevate housing to finished grade.



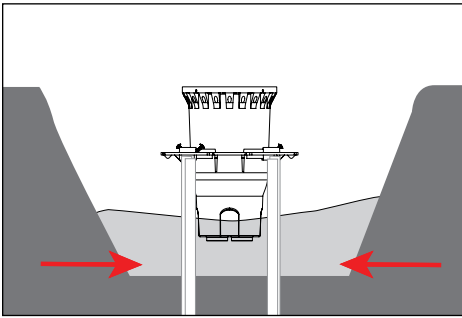
4. Raise housing on PVC/EMT so housing is flush with finished grade. Use a level to aid in housing installation.
5. When housing is level, tighten screws on stability flange to secure housing to PVC/EMT. Remove excess PVC/EMT as needed.
6. Pull primary branch circuit wiring into junction box.

**IMPORTANT SAFETY INFORMATION LISTED ON REVERSE
READ, FOLLOW, AND SAVE ALL SAFETY AND INSTALLATION INSTRUCTIONS**

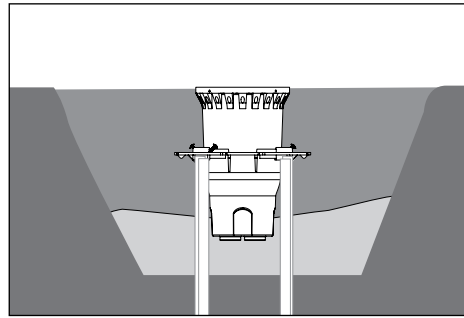




Standard Installation

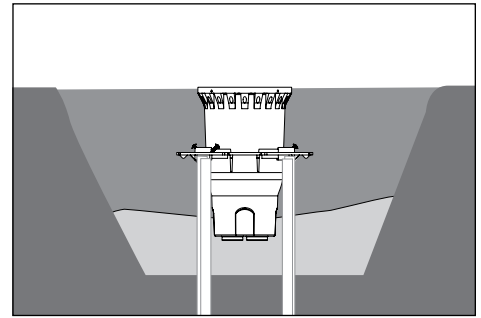


7. Per DIG-IT Guide, backfill hole based off of determined soil type.



8. **For soil installation:** Fill and tamp soil to the appropriate height leaving room for sod, pavers, etc. to be level with the top of the temporary cover.

⚠ Soil installation is not drive-over rated.

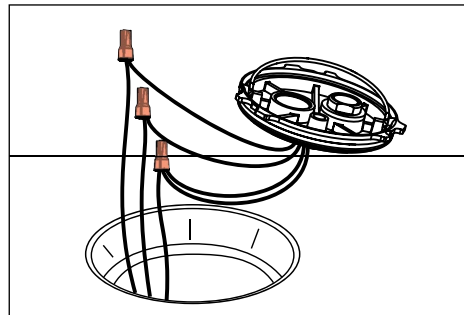


9. **For concrete installation:** Fill the hole around the fixture housing to 12" below the finished grade with clean fill dirt and tamp carefully to prevent settling of fixture. Pour concrete and finish as required flush with the top surface of the temporary cover.

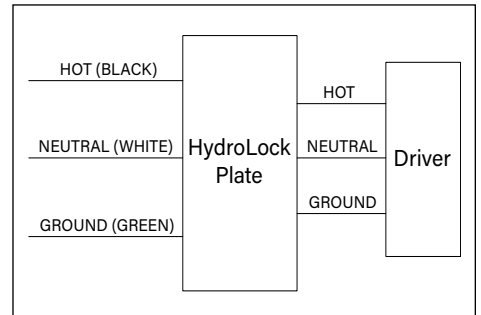
Fixture Installation



1. Remove temporary cover.
2. Pull primary branch circuit to installed housings.

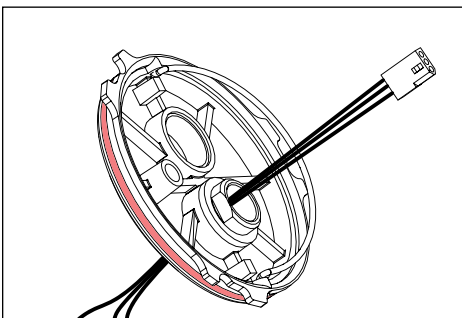


3. Make watertight connections using waterproof wire connectors (provided to leads on the bottom of Patented HydroLock Barrier Plate Assembly. **See wiring diagram.**

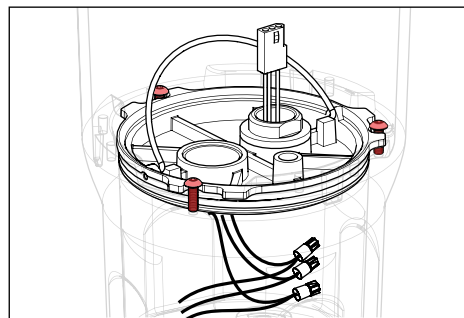


WIRING DIAGRAM

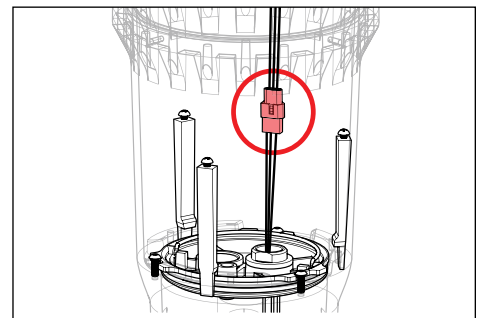
⚠ All line voltage connections must be made in compliance with the National Electrical Code. Failure to do so will void warranty.



4. Wipe o-ring clean of debris on Patented HydroLock Barrier Plate. Install Patented HydroLock Barrier Plate by aligning keyholes with dome-topped fasteners at the bottom of the housing and while grasping handle; push down on Patented HydroLock Barrier Plate until firmly seated.



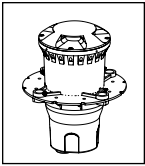
5. Turn HydroLock Barrier Plate clockwise 1/4" to lock. **⚠ Patented HydroLock Barrier Plate must be completely seated to ensure proper seal or water may intrude. This step must be done as stated or you will void your warranty.**



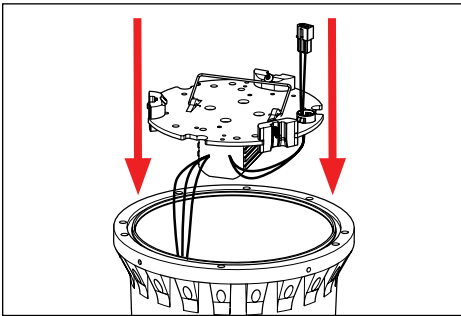
6. Connect transformer assembly to Patented HydroLock Barrier Plate with quick disconnect.

**IMPORTANT SAFETY INFORMATION LISTED ON REVERSE
READ, FOLLOW, AND SAVE ALL SAFETY AND INSTALLATION INSTRUCTIONS**

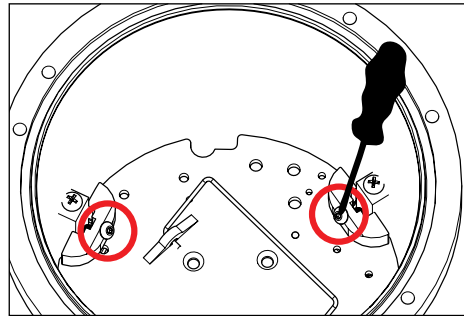




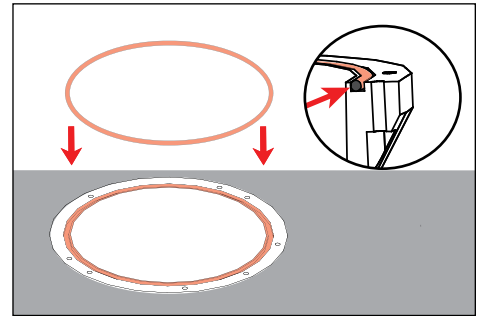
Standard Installation



7. Lower transformer assembly into DR2 housing.

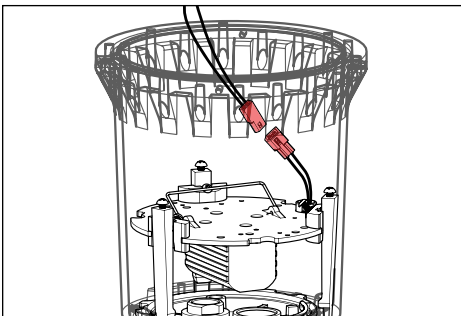


8. Secure transformer plate in place by tightening three (3) #16-32 screws against posts using a 5/64" ball driver.

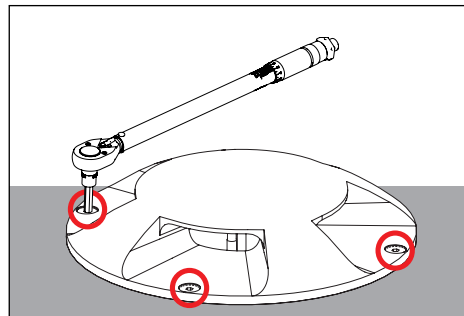


9. Carefully place o-ring into the groove on top of housing, keep free of dirt and debris. Dirt and debris may allow water entry into fixture.

⚠ This step must be done as stated or you will void your warranty.



10. Attach optical assembly and faceplate to installed transformer assembly with quick disconnect.



11. Lower faceplate and optical assembly into DR2 housing, then secure faceplate to housing with four (4) #10-24 socket head screws as provided on faceplate with a 1/8" allen wrench. Hand tighten screws in a cross pattern to 30 in-lbs. to create proper seal.

⚠ Do not use a power tool to install screws. Do not exceed 40 in-lbs.

**IMPORTANT SAFETY INFORMATION LISTED ON REVERSE
READ, FOLLOW, AND SAVE ALL SAFETY AND INSTALLATION INSTRUCTIONS**

