

Standard Instructions



Flammable



Warning



High Voltage



Hot Surface

TOOLS NEEDED:	
	1/8" Allen Wrench
	Level
	iOS Device with Inspiration App
	7/8" Hole Saw
	Torque Wrench

INSTRUCTIONS PERTAINING TO A RISK OF FIRE, OR INJURY TO PERSONS IMPORTANT SAFETY INSTRUCTIONS

Lighted fixture is HOT! WARNING - To reduce the risk of FIRE OR INJURY TO PERSONS:

Turn off/unplug and allow to cool before replacing lamp/LED. Fixture gets HOT quickly! Contact only switch/plug when turning on. Do not touch hot lens, guard, or enclosure. Keep fixture away from materials that may burn. Do not operate the luminaire fitting with a missing or damaged shield. Do not touch the source at any time. Use a soft cloth or gloves. Oil from skin may cause damage.

SAVE THESE INSTRUCTIONS

IMPORTANT SAFETY INFORMATION - READ, FOLLOW, AND SAVE ALL SAFETY AND INSTALLATION INSTRUCTIONS

- Product must be installed by a qualified person in a manner consistent with its intended use and in compliance with the National Electrical Code, Canadian Electrical Code, and all Local and Provincial Codes.
- Follow product label information and instructions.
- Qualified Personnel with appropriate personal protective equipment must perform all servicing of this product.
- Before wiring to power supply and during servicing, turn off and lock out power at fuse or circuit breaker before service.
- The use of accessory equipment not recommended by the manufacturer or installed contrary to instructions may cause an unsafe condition. The use of damaged components may cause an unsafe condition and void product warranty.
- Do not block light emanating from product in whole or part, as this may cause an unsafe condition.
- Never operate the fixture with missing or damaged lens. Lens must be cleaned on regular basis.
- Entire fixture may become extremely hot. Do not touch hot lens or fixture body.
- Replace LED assembly only with correct wattage and type of power supply appropriate for LED assembly.
- All gaskets, o-rings and sealing surfaces must be kept clean during installation and service; failure to do this may cause an unsafe condition and void product warranty.

IMPORTANT LISTINGS AND CERTIFICATIONS

• Suitable for wet locations • Additionally suitable for mounting within 4 ft. of the ground

Proper soil preparation is recommended before installation. See the DIG-IT guide at www.bklighting.com/collaterals/install/digit.pdf for more information.

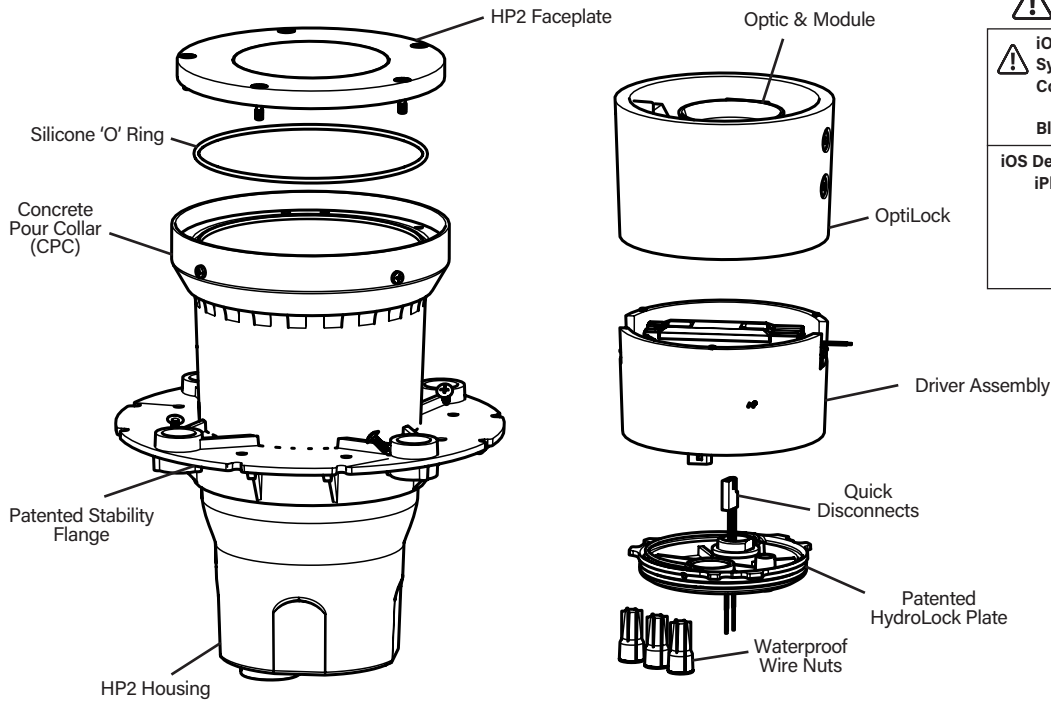
⚠ Device Requirements

⚠ iOS device with installed Inspiration Control System App is required for Bluetooth® Wireless Control.

Bluetooth® version 4.0 or higher required.

iOS Devices:

- iPhone** - iPhone 4s or newer
- iPad** - 3rd Gen iPad or newer
iPad Mini
iPad Air
- iPod** - iPod Touch 5th Gen or newer



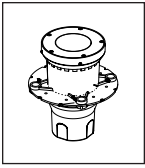
IMPORTANT SAFETY INFORMATION - READ, FOLLOW, AND SAVE THESE INSTALLATION INSTRUCTIONS

B-K LIGHTING

40429 Brickyard Drive • Madera, CA 93636 • USA
559.438.5800 • FAX 559.438.5900
www.bklighting.com • info@bklighting.com

RELEASE DATE
04/20/2023

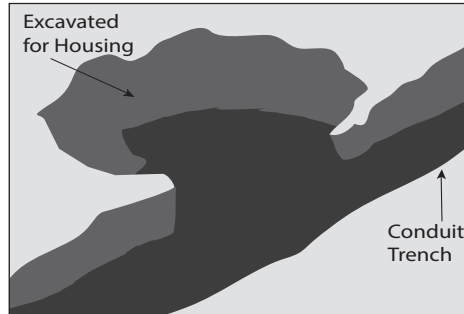
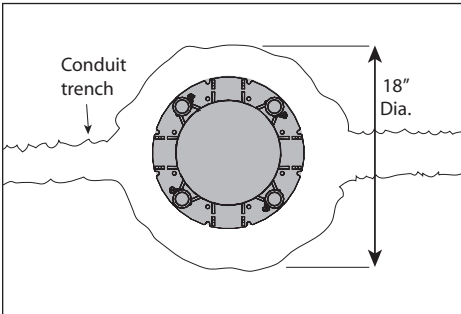
REFERENCE NUMBER
INS001399



Standard Instructions

⚠️ iOS device (Not Included) with installed B-K Lighting Inspiration Application required for use.

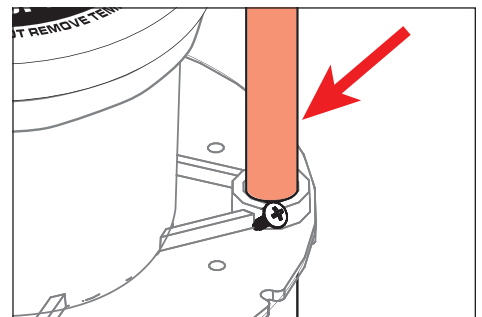
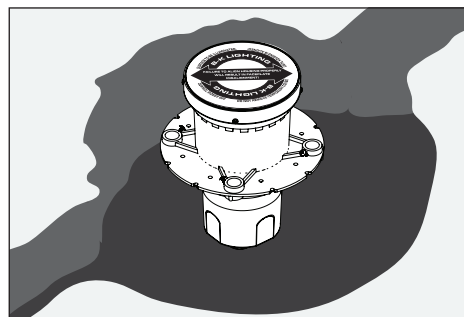
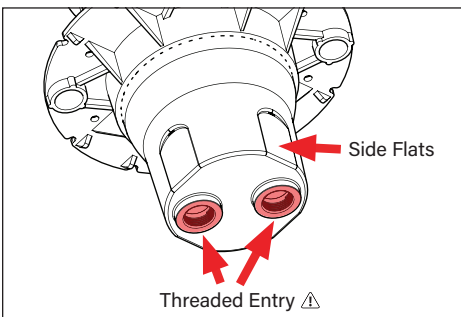
Soil Prep



- A. Determine Soil Type by referencing DIG-IT Guide.
- B. Dig hole 18" wide and 20" deep.
- C. Prep soil according to DIG-IT Guide.

SCAN WITH SMART DEVICE OR CLICK THE BAR CODE FOR ONLINE DIG-IT GUIDE

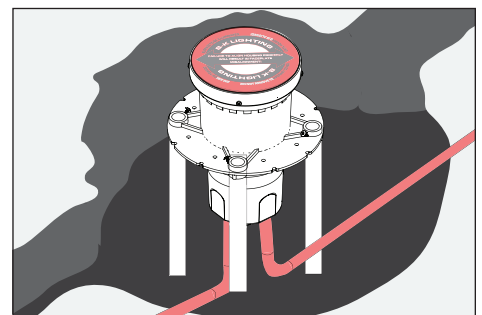
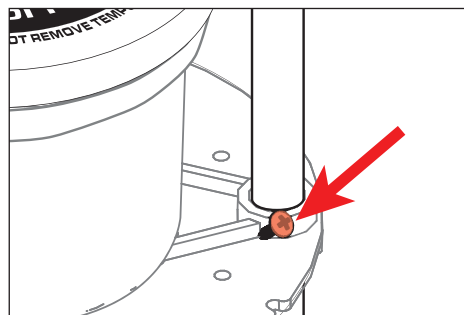
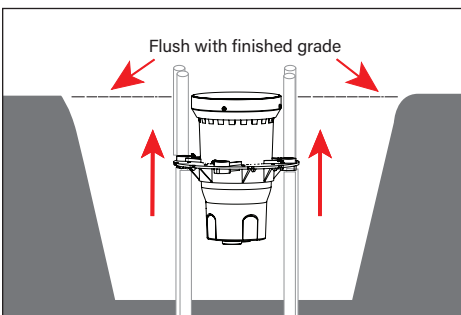
Housing Installation



- 1. Connect branch conduit connectors (not included) to the junction box using either the threaded conduit entries on the bottom of the junction box or through holes drilled into the sides of the junction box.
- 2. Place housing in hole. Align junction box in the path of the conduit trench.
- 3. Insert four (4) pieces of 1/2" EMT conduit through the stability flange. Hammer into substrate until secure.

⚠️ Recommend 7/8" hole saw to open threaded entry hole.

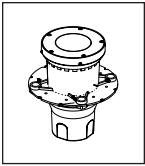
⚠️ Leave sufficient clearance to elevate housing to finished grade.



- 4. Raise housing on EMT so housing is flush with finished grade. Use a level to aid in housing installation.
- 5. When housing is level, tighten screws on stability flange to secure housing to EMT. Remove excess EMT as needed.
- 6. Pull primary branch circuit wiring into junction box.

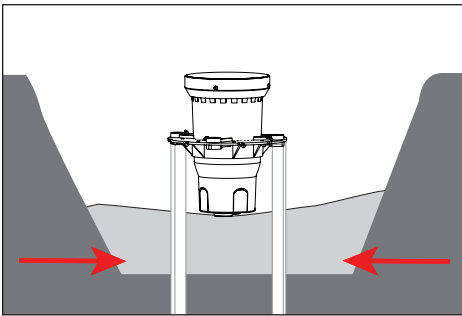
**IMPORTANT SAFETY INFORMATION LISTED ON REVERSE
READ, FOLLOW, AND SAVE ALL SAFETY AND INSTALLATION INSTRUCTIONS**



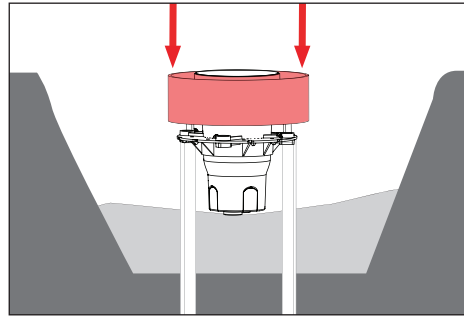


Standard Instructions

⚠️ iOS device (Not Included) with installed B-K Lighting Inspiration Application required for use.

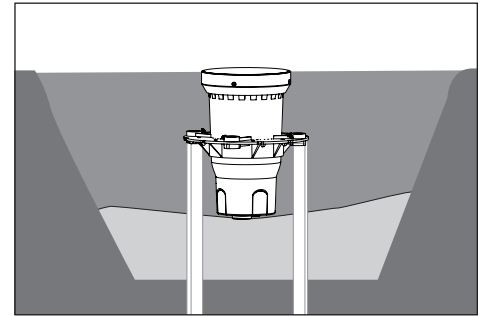


7. Per DIG-IT Guide, backfill the gap between the bottom of housing and bottom of hole with sand for drainage.



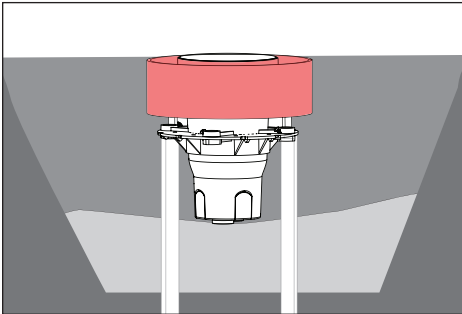
OPTIONAL GROUT MASK INSTALLATION (IF ORDERED)

7. Fill partway, then place grout mask around housing, centered at faceplate. Insert stakes through stability flange. Top of grout mask should be flush with grade.



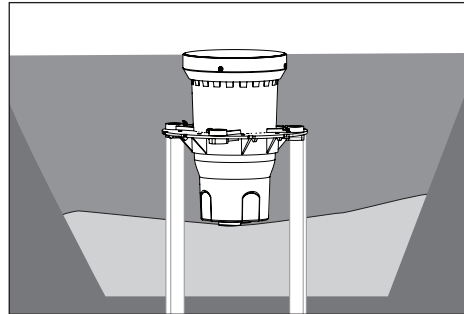
8. **For soil installation:** Fill and tamp soil to the appropriate height leaving room for sod, pavers, etc. to be level with the top of the temporary cover.

⚠️ Soil installation is not drive-over rated.

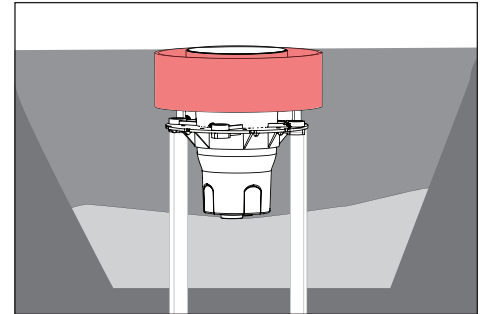


OPTIONAL GROUT MASK INSTALLATION (IF ORDERED)

8. **For soil installation:** Fill and tamp soil to the appropriate height leaving room for sod, pavers, etc. to be level with the top of the temporary cover.



9. **For concrete installation:** Fill the hole around the fixture housing to 12" below the finished grade with clean fill dirt and tamp carefully to prevent settling of fixture. Pour concrete and finish as required flush with the top surface of the temporary cover.



OPTIONAL GROUT MASK INSTALLATION (IF ORDERED)

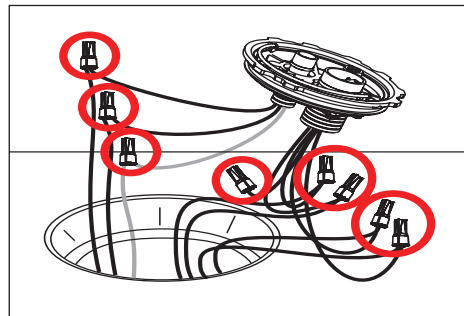
9. **For concrete installation:** Fill the hole around the fixture housing to 12" below the finished grade with clean fill dirt and tamp carefully to prevent settling of fixture. Pour concrete and finish as required flush with the top surface of the grout mask.

⚠️ Soil installation is not drive-over rated.

Installation

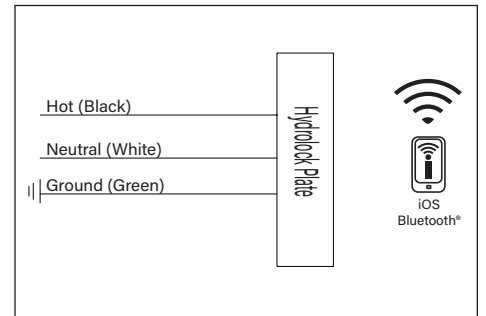


1. Remove temporary cover.



2. Make watertight connections using waterproof wire connectors (included) to leads on the bottom of Patented HydroLock Barrier Plate Assembly. See wiring diagram.

⚠️ Number of connections may vary depending on wiring controls chosen as per lighting plan. See wiring diagram.

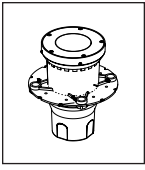


WIRING DIAGRAM - Wireless Bluetooth® Controls with Inspiration Application on iOS device.

iOS device controls dimming, CCT, Saturation, and Hue using Bluetooth wireless controls and the application.

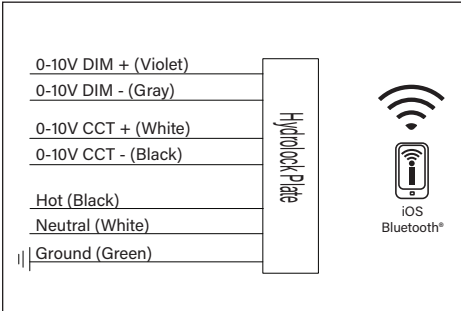
⚠️ iOS device (iPad, iPod, iPhone) with installed B-K Lighting Inspiration application is required.

**IMPORTANT SAFETY INFORMATION LISTED ON REVERSE
READ, FOLLOW, AND SAVE ALL SAFETY AND INSTALLATION INSTRUCTIONS**



Standard Instructions

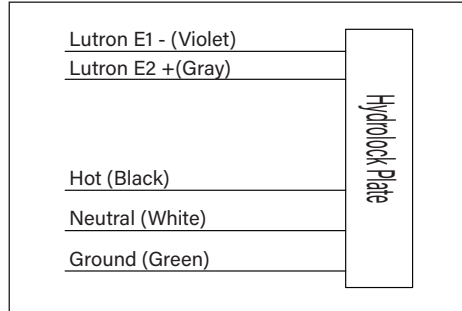
⚠️ iOS device (Not Included) with installed B-K Lighting Inspiration Application required for use.



WIRING DIAGRAM - 0-10V Wired/Hybrid

Secondary wiring from remote driver connects to fixture leads. 0-10V dimming connects to module. 0-10V Continuous CCT connects to module. iOS device controls Saturation and Hue.

⚠️ iOS device (iPad, iPod, iPhone) with installed B-K Lighting Inspiration application is required.

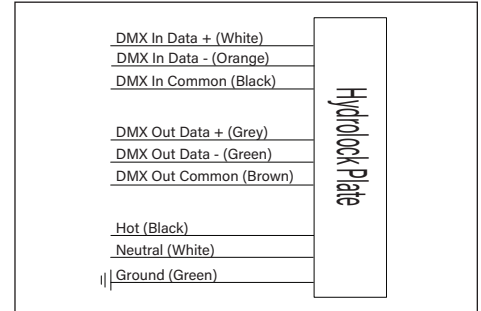


WIRING DIAGRAM - Lutron

Wire Gauge Maximum & EcoSystem-Compliant Loop Wire Length.

- 4.0 mm² (12 AWG) 671 m (2200 FT)
- 2.5 mm² (14 AWG) 427 m (1400 FT)
- 1.5 mm² (16 AWG) 275 m (900 FT)
- 1.0 mm² (18 AWG) 175 m (570 FT)

⚠️ Maximum of 32 devices per loop.

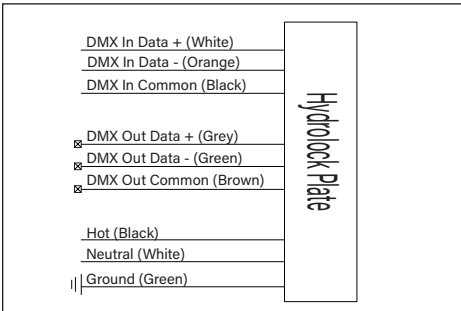


WIRING DIAGRAM - DMX

Leads are labeled. Recommended wire:

- ⚠️** - Liberty Cable
 - 24-2P-285 Non Plenum
 - 24-2P-P485 Plenum
- ⚠️** - Belden Cable
 - 9842 Non-Plenum
 - 89842 Plenum

⚠️ Maximum of 30 fixtures per DMX runs. Please refer to wire manufacturer's lighting catalog for and equals as required by code.

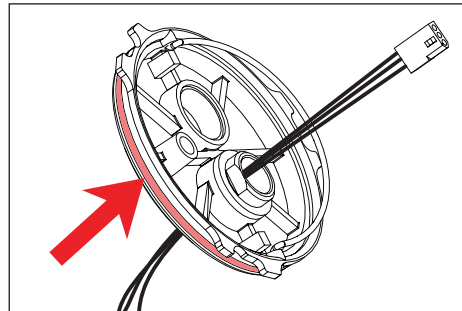


WIRING DIAGRAM - DMX End Run

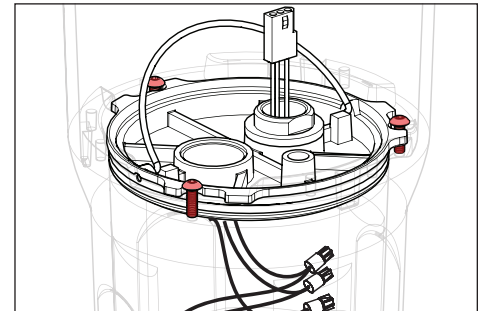
Leads are labeled. DMX Out leads are capped off from factory. Recommended wire:

- ⚠️** - Liberty Cable
 - 24-2P-285 Non Plenum
 - 24-2P-P485 Plenum
- ⚠️** - Belden Cable
 - 9842 Non-Plenum
 - 89842 Plenum

⚠️ Maximum of 30 fixtures per DMX runs. Please refer to wire manufacturer's lighting catalog for and equals as required by code.



3. Wipe inside of housing where HydroLock plate will sit clean of debris before inserting patented HydroLock plate on to junction box. Align HydroLock plate with pins in housing and seat it firmly in place.

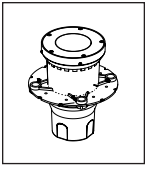


4. Turn HydroLock Barrier Plate clockwise ¼" to lock.

⚠️ Patented HydroLock Barrier Plate must be completely seated to ensure proper seal or water may intrude. This step must be done as stated or you will void your warranty.

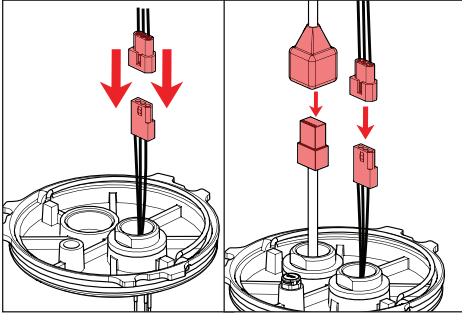
**IMPORTANT SAFETY INFORMATION LISTED ON REVERSE
READ, FOLLOW, AND SAVE ALL SAFETY AND INSTALLATION INSTRUCTIONS**





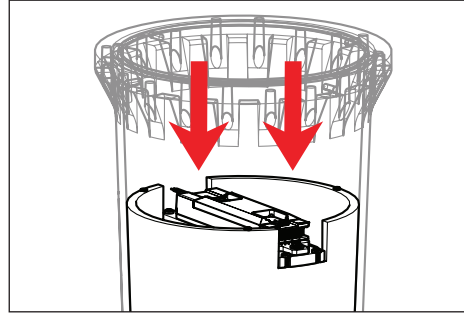
Standard Instructions

⚠️ iOS device (Not Included) with installed B-K Lighting Inspiration Application required for use.

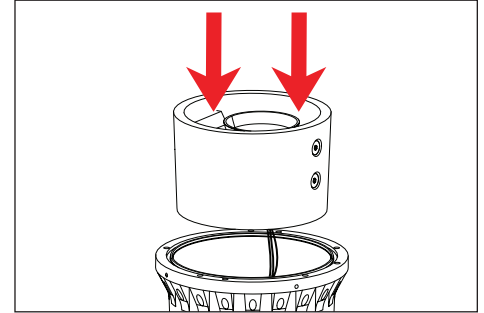


5. Connect driver assembly to patented hydrolock barrier plate with quick disconnect.

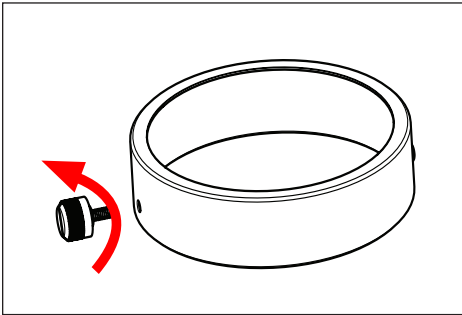
⚠️ Number of plugs and size of plugs may vary depending on wiring controls chosen as per lighting plan.



6. Lower driver assembly into housing with caution to not pinch any wiring. Driver assembly should rest at the bottom of housing.

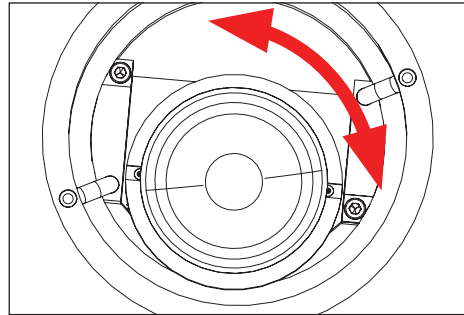


7. Attach OptiLock assembly to installed driver assembly with quick disconnect. Place OptiLock assembly in housing, resting the OptiLock on the pins provided driver assembly.

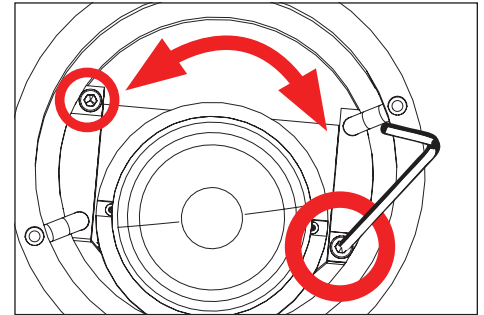


8. HP2 Accy Holder Installation/Removal

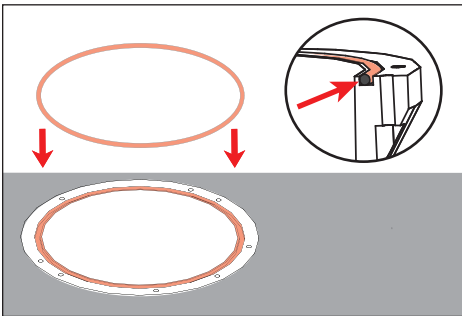
⚠️ For Optional Accessory Holder: Loosen the thumbscrew and then tilt the Accessory Holder up off the reflector so the second screw can clear the edge of the reflector.



9. To aim OptiLock horizontally: lift OptiLock from resting position, and rotate to desired angle. Set down on pins provided in housing. OptiLock is gravity held in place.

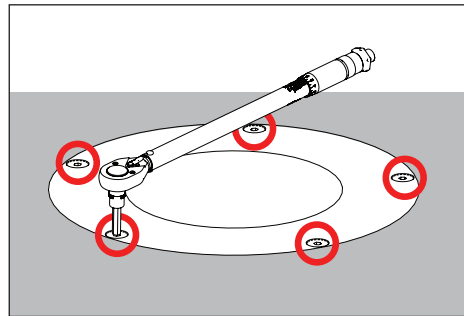


10. To aim OptiLock vertically: loosen two (2) 1/4-20 screws using a 3/16" allen wrench. Tilt swivel arm with LED and optic in desired aiming direction. Tighten two (2) 1/4-20 screws with a 3/16" allen wrench to secure position.



11. Remove any dirt or debris in o-ring groove near top of housing. Place o-ring inside of groove.

⚠️ Failure to clean groove of debris will cause fixture to fail and void product warranty.

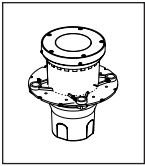


13. Install faceplate using a 1/8" allen wrench and hand-tighten the faceplate screws in a star pattern to 30 in-lbs. min.

⚠️ Do not use a power tool to install screws. Do not exceed 40 in-lbs.

**IMPORTANT SAFETY INFORMATION LISTED ON REVERSE
READ, FOLLOW, AND SAVE ALL SAFETY AND INSTALLATION INSTRUCTIONS**

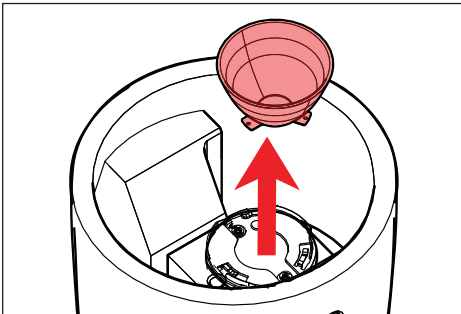




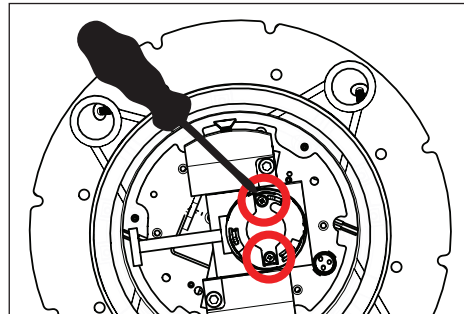
Standard Instructions

 **iOS device (Not Included) with installed B-K Lighting Inspiration Application required for use.**

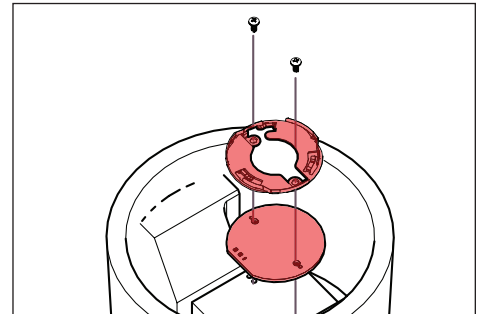
LED Replacement



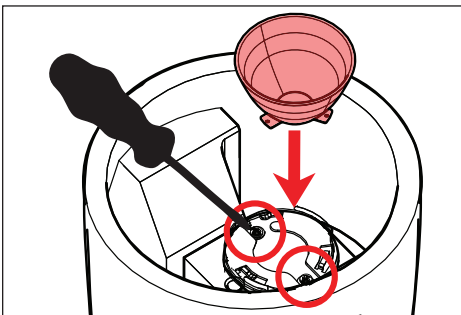
1. To replace the LED module: Twist reflector off.



2. Use a Phillips screwdriver to unscrew the 2 screws holding the reflector adapter and LED module. Remove wire ribbon connector from LED module. Clean all Arctic Silver Ceramique thermal grease from heatsink.



3. Apply a thin and even coating of Arctic Silver Ceramique thermal grease provided with replacement LED module to the bottom of the new LED module. Snap the wire ribbon connector to the LED module. Place the LED module on the heatsink. Place reflector adapter to top of LED module and align all the screw holes together.



4. Screw down the LED module and reflector adapter.

**IMPORTANT SAFETY INFORMATION LISTED ON REVERSE
READ, FOLLOW, AND SAVE ALL SAFETY AND INSTALLATION INSTRUCTIONS**



B-K LIGHTING

40429 Brickyard Drive • Madera, CA 93636 • USA
559.438.5800 • FAX 559.438.5900
www.bklighting.com • info@bklighting.com

RELEASE DATE
04/20/2023

REFERENCE NUMBER
INS001399