

DATE: \_\_\_\_\_ PROJECT: \_\_\_\_\_ TYPE: \_\_\_\_\_

CATALOG NUMBER LOGIC:



\*Only available with x58-x63.

\*\*Only available with x43-x45.

\*\*\*Select up to 2. Accessory Holder required.

\*\*\*\*120V only.

**CATALOG NUMBER LOGIC**

Example: B - AGI2 - 12 - LED - TR - x61 - SP - SAP - 10/11 - INC - MT - AH

**MATERIAL**

(Blank) - Aluminum B - Brass S - Stainless Steel

**SERIES**

AGI2 - Above Ground In-grade

**HEIGHT ABOVE**

12 - 12"

18 - 18"

**SOURCE**

LED - Chip on Board Technology

**HOUSING**

TR - Integral Housing

**LED TYPE**

x58 - 12W LED/2700K x61 - 20W LED/2700K x43 - 34W LED/2700K

x59 - 12W LED/3000K x62 - 20W LED/3000K x44 - 34W LED/3000K

x60 - 12W LED/4000K x63 - 20W LED/4000K x45 - 34W LED/4000K

**OPTICS**

SP - Spot (15°)\*

FL - Flood (35°)\*

NFL - Narrow Flood (25°)\*\*

WFL - Wide Flood (60°)

**FINISH (See page 2 for full-color swatches)**

Standard Finishes (BZP, BZW, BLP, BLW, WHP, WHW, SAP, VER)

Premium Finish (ABP, AMG, AQW, BCM, BGE, BPP, CAP, CMG, CRM, HUG, NBP, OCP, RMG, SDS, SMG, TXF, WCP, WIR)

Also available in RAL Finishes

Brass Finishes (MAC, POL, MIT)

Stainless Steel Finishes (MAC, POL)

**ACCESSORY\*\*\***

10 - Spread Lens

11 - Honeycomb Baffle

12 - Soft Focus Lens

13 - Rectilinear Lens

**CONTROL TYPE**

ELV - Dimming Driver (For use with Electronic Low Voltage Dimmer)\*\*\*\*

INC - Dimming Driver (For use with Incandescent Dimmer)\*\*\*\*

010 - 0-10V Dimming Driver (Dimming 1 - 100%)

**INPUT VOLTAGE**

MT - 120-277 VAC Input

**OPTIONS**

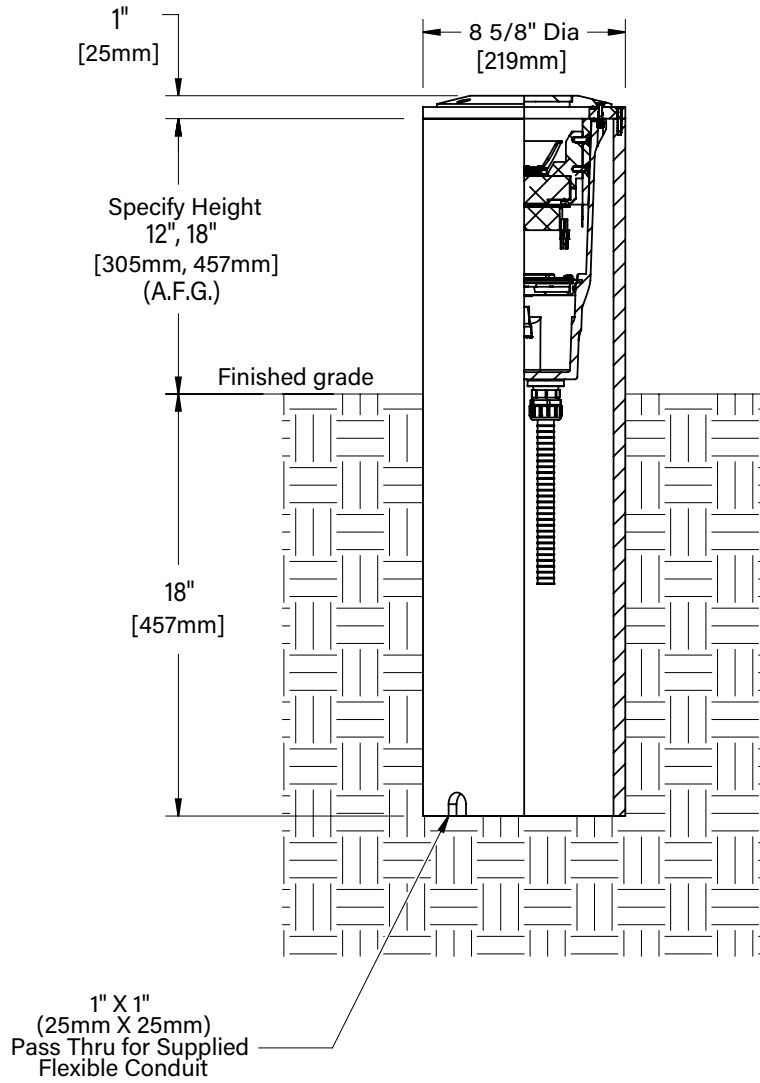
AH - Accessory Holder

DATE:

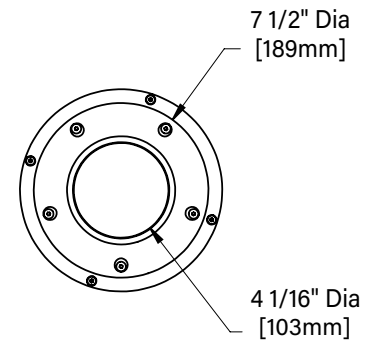
PROJECT:

TYPE:

**SIDE VIEW**



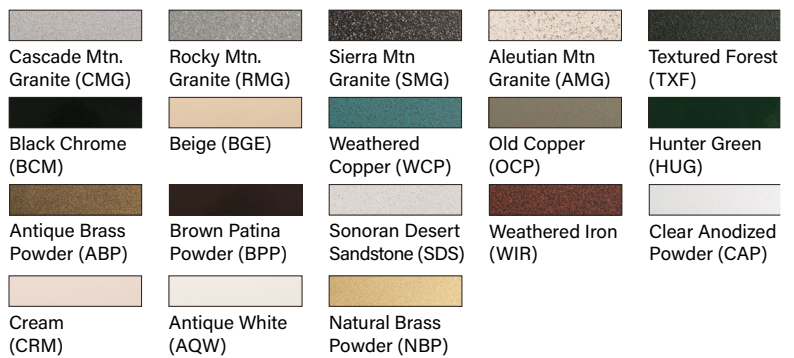
**TOP VIEW**



**STANDARD FINISHES**



**PREMIUM FINISHES**



[Click Here](#) to view larger, full-color swatches of all available finishes on our website.

|       |          |       |
|-------|----------|-------|
| DATE: | PROJECT: | TYPE: |
|-------|----------|-------|

ACCESSORIES (Configure separately)

## SPECIFICATIONS

|                         |   |   |
|-------------------------|---|---|
| ELECTRICAL              | WATTAGE   | 12W, 20W, or 34W  |
|                         | DRIVER ASSEMBLY   | For use with [1] 700mA (12W/20W) / 1.05A (34W), constant current driver. 120-277VAC (nominal) primary input voltage. 50/60Hz. >0.90 Power Factor, <250mA in-rush current, .20%THD (nominal at 120VAC full load), with output over-voltage, over-current, and short circuit protection with auto recovery. Class 2 power supply; FCC47CFR Part 15 Compliant Class B (120VAC)/Class A (277VAC). Incandescent Control Option Driver: Dimming driver for use with standard incandescent dimmers at 120VAC(10-100% range). ELV/0-10 Control Option Driver: Dimming driver for use with standard electronic low voltage (120VAC only - 10-100% dim. range)/0-10V dimmers (1-100% dim. range). |
| PHYSICAL                | AIMING  | Dual axis heat sink system rotates 360° and provides vertical adjustment up to 15° from nadir. Positive lock action ensures optical orientation.  |
|                         | LED   | Integrated solid state system and modular design with electrical quick disconnects is scalable for field upgrade and maintenance. LM-80 certified. Minimum 50,000 hour rated life at 70% of initial lumens L70. LED technology provides long life, significant energy reduction, and exceptional thermal management.  |
|                         | FLEXIBLE CONDUIT  | Industrial grade, type D flexible PVC conduit is 25ft long with 3/8" diameter. Approved for outdoor and direct burial in the US. UL temperature ratings: 105°C dry, 60°C wet 70°C oil, CSA temperature rating: 18 to 75°C. Oil Resistant, 600V rating, black with orange markings. Conduit is attached to housing when shipped. Stranded, uncoated copper conductors per ASTM-B3, ASTM-B787 and ASTM-B8. Color-coded Polyvinyl Chloride (PVC), heat and moisture-resistant, flame-retardant compound per UL-1063 and UL-83.A tough, polyamide, Nylon outer covering per UL-1063 and UL-83. Incandescent dimming uses 3 wire conduit; 0-10V dimming uses 5 wire conduit.                 |
|                         | COLOR MANAGEMENT  | Corrected cold phosphor technology delivers near-perfect natural white light. Long term phosphor maintenance over product life. Exact color point conformity exceeds ANSI C78.377 standard. Provides uniform beam with no color variation over angle. Module exceeds 80 CRI (RA>80, R9>16).   |
|                         | AGI2 TUBE   | Tube is manufactured from pressure-rated PE4710 polyethylene compounds. Ductility is substantiated with greater than 438,300 hours (50 years) at 73°F (23°C) before the onset of SCE.   |
|                         | WATER MANAGEMENT  | High temperature silicone 'O' Ring at faceplate. HydroLock® technology provides fail-safe water barrier between junction box and interior components. IP68 rated.   |
|                         | LENS  | High heat, Shock-resistant, 1/4" Tempered Soda Lime glass lens.   |
|                         | FACEPLATE   | Solid, 1/2" thick machined 6061-T6 aluminum with five (5) black oxide, captive, stainless steel mounting screws. Faceplate options include solid, 1/2" thick machined brass and solid, 1/2" thick machined stainless steel.   |
|                         | FINISH  | StarGuard, our 15-stage chromate-free process cleans and conversion coats aluminum components prior to application of Class 'A' TGIC polyester powder coating and is RoHS compliant.  |
|                         | WARRANTY  | 5-year limited warranty.  |
| CERTIFICATION & LISTING | UL Listed. Certified to CAN/CSA/ANSI Standards. IP68 Rated. Made in the USA with sustainable processes. |   |



# LAMP & DRIVER DATA (x58, x59, x60, x61, x62, x63, x43, x44, x45)

DATE: \_\_\_\_\_ PROJECT: \_\_\_\_\_ TYPE: \_\_\_\_\_

## DRIVER ELECTRICAL DATA

| Type | AC Input Range | Frequency Hz | Power Factor At Full Load (Efficiency) | THD  | Operation Ambient Temperature | Dimmer Type            | Dimmer Range |
|------|----------------|--------------|--|------|-------------------------------|------------------------|--------------|
| ELV  | 105-305Vac     | 50/60        | > 0.90                                 | ≤20% | -30° C ~ 70°C                 | Electronic Low Voltage | 10-100%      |
| INC  | 105-305Vac     | 50/60        | > 0.90                                 | ≤5%  | -30° C ~ 50°C                 | Incandescent           | 10-100%      |
| 0-10 | 105-305Vac     | 50/60        | > 0.90                                 | ≤20% | -30° C ~ 70°C                 | 0-10                   | 1-100%       |

### LM79 DATA

### L70 DATA

### OPTICAL DATA

| BK No. | CCT (Typ.) | CRI (Typ.) | Input Watts (Typ.) | Minimum Rated Life (hrs.)<br>70% of initial lumens (L <sub>70</sub> ) | Angle | CBCP | Delivered Lumens |
|--------|------------|------------|--------------------|---|-------|------|------------------|
| x58    | 2700K      | 80         | 12W                | 50,000  | 15°   | 3877 | 724              |
|        | 2700K      | 80         | 12W                | 50,000  | 35°   | 1498 | 663              |
|        | 2700K      | 80         | 12W                | 50,000  | 60°   | 629  | 625              |
| x59    | 3000K      | 80         | 12W                | 50,000  | 15°   | 4059 | 758              |
|        | 3000K      | 80         | 12W                | 50,000  | 35°   | 1568 | 694              |
|        | 3000K      | 80         | 12W                | 50,000  | 60°   | 659  | 655              |
| x60    | 4000K      | 80         | 12W                | 50,000  | 15°   | 4561 | 851              |
|        | 4000K      | 80         | 12W                | 50,000  | 35°   | 1762 | 780              |
|        | 4000K      | 80         | 12W                | 50,000  | 60°   | 740  | 736              |
| x61    | 2700K      | 80         | 20W                | 50,000  | 15°   | 7098 | 1306             |
|        | 2700K      | 80         | 20W                | 50,000  | 35°   | 2621 | 1124             |
|        | 2700K      | 80         | 20W                | 50,000  | 60°   | 1048 | 1063             |
| x62    | 3000K      | 80         | 20W                | 50,000  | 15°   | 7488 | 1378             |
|        | 3000K      | 80         | 20W                | 50,000  | 35°   | 2765 | 1186             |
|        | 3000K      | 80         | 20W                | 50,000  | 60°   | 1106 | 1121             |
| x63    | 4000K      | 80         | 20W                | 50,000  | 15°   | 7800 | 1435             |
|        | 4000K      | 80         | 20W                | 50,000  | 35°   | 2880 | 1235             |
|        | 4000K      | 80         | 20W                | 50,000  | 60°   | 1152 | 1168             |
| x43    | 2700K      | 80         | 34W                | 50,000  | 25°   | 5435 | 1915             |
|        | 2700K      | 80         | 34W                | 50,000  | 60°   | 2697 | 1860             |
| x44    | 3000K      | 80         | 34W                | 50,000  | 25°   | 5672 | 1998             |
|        | 3000K      | 80         | 34W                | 50,000  | 60°   | 2814 | 1941             |
| x45    | 4000K      | 80         | 34W                | 50,000  | 25°   | 5908 | 2081             |
|        | 4000K      | 80         | 34W                | 50,000  | 60°   | 2931 | 2022             |

## OPTICS

| Optic        | Angle |
|--------------|-------|
| Spot         | 15°   |
| Narrow Flood | 25°   |
| Flood        | 35°   |
| Wide Flood   | 60°   |

**B-K LIGHTING**

MADE IN THE USA

559.438.5800 | INFO@BKLIGHTING.COM | BKLIGHTING.COM

THIS DOCUMENT CONTAINS PROPRIETARY INFORMATION OF B-K LIGHTING, INC. AND ITS RECEIPT OR POSSESSION DOES NOT CONVEY ANY RIGHTS TO REPRODUCE, DISCLOSE ITS CONTENTS, OR TO MANUFACTURE, USE OR SELL ANYTHING IT MAY DESCRIBE. REPRODUCTION, DISCLOSURE OR USE WITHOUT SPECIFIC WRITTEN AUTHORIZATION OF B-K LIGHTING, INC. IS STRICTLY FORBIDDEN.